

92

AC Fan Series x92x25mm

CE RoHS

GENERAL SPECIFICATIONS

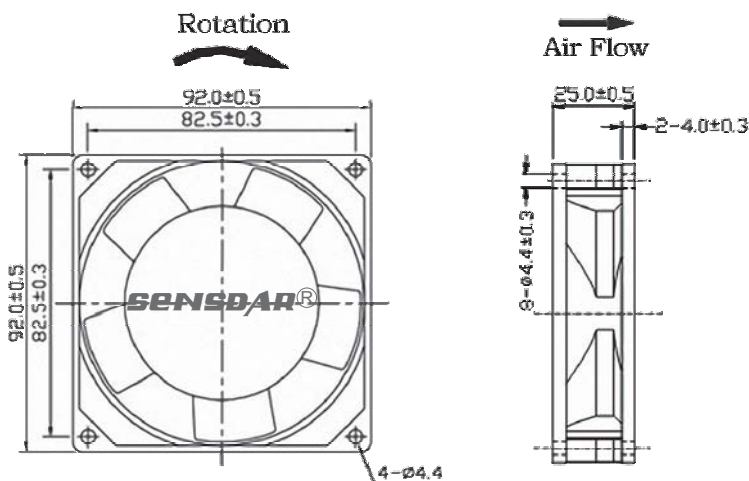
Bearing Type: Sleeve Bearing & Ball Bearing
 Material: Impeller: Plastic ; Frame: Aluminum Alloy
 Lead Wire: UL Type
 Operation Temperature: -10°C-65°C, 35%-85%RH
 Storage Temperature: -40°C-70°C, 35%-85%RH



SPECIFICATIONS

Model	Bearing System		Rated Voltage	Frequency	Rated Current	Rated Input Power	Rated Speed	Air Flow	Air Pressure	Noise Level	Weight
	Ball	Sleeve	VAC	Hz	A	Watt	RPM	CFM	mmH ₂ O	dBA	g
SA9225M1S		●	110-125	50/60	0.14/0.12	14/12	2300/2500	28.3/31.8	3.0/4.6	35/37	250
SA9225M1B	●		110-125	50/60	0.14/0.12	14/12	2400/2600	29.7/33.2	3.3/4.8	35/37	
SA9225M2S		●	200-240	50/60	0.07/0.06	14/12	2300/2500	28.3/31.8	3.0/4.6	35/37	
SA9225M2B	●		200-240	50/60	0.07/0.06	14/12	2400/2600	29.7/33.2	3.3/4.8	35/37	

DIMENSIONS DRAWING



Note:

- *All readings are typical values at rated voltage.
- *Specifications are subject to change without prior notice.

P&Q CURVE (AT RATED VOLTAGE)

