

Pitch: 5.0mm, 5.08mm, 7.5mm, 7.62mm

● **材质及电镀**

焊针 : 黄铜, 镀锡
塑件 : PA66, UL94V-0

● **电气性能**

额定电压 : 300V
额定电流 : 15A
接触电阻 : 20mΩ
绝缘电阻 : 5000MΩ / 1000V
耐电压 : AC1500V / 1Min

● **机械性能**

温度范围 : -40°C ~ +105°C
瞬时温度 : +250°C 5秒

● **Material**

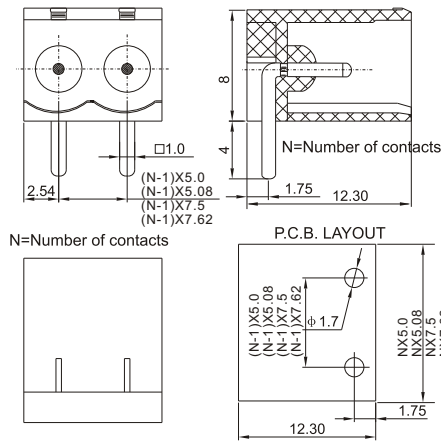
Pin header : Brass, Tin plated
Housing : PA66, UL94V-0

● **Electrical**

Rated voltage : 300V
Rated current : 15A
Contact resistance : 20mΩ
Insulation resistance: 5000MΩ / 1000V
Withstanding voltage: AC1500V / 1Min

● **Mechanical**

Temp. Range : -40°C ~ +105°C
MAX Soldering: +250°C, for 5 Sec.



Pitch: 5.0mm, 5.08mm, 7.5mm, 7.62mm

● **材质及电镀**

焊针 : 黄铜, 镀锡
塑件 : PA66, UL94V-0

● **电气性能**

额定电压 : 300V
额定电流 : 15A
接触电阻 : 20mΩ
绝缘电阻 : 5000MΩ / 1000V
耐电压 : AC1500V / 1Min

● **机械性能**

温度范围 : -40°C ~ +105°C
瞬时温度 : +250°C 5秒

● **Material**

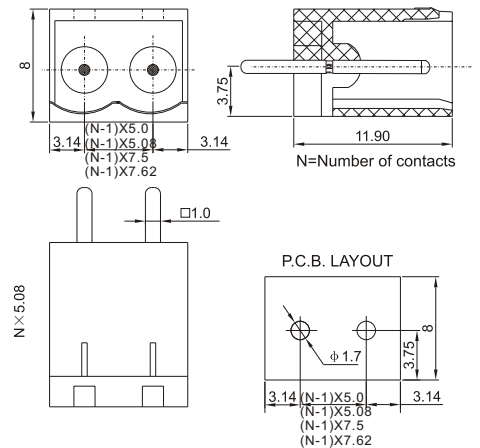
Pin header : Brass, Tin plated
Housing : PA66, UL94V-0

● **Electrical**

Rated voltage : 300V
Rated current : 15A
Contact resistance : 20mΩ
Insulation resistance: 5000MΩ / 1000V
Withstanding voltage: AC1500V / 1Min

● **Mechanical**

Temp. Range : -40°C ~ +105°C
MAX Soldering: +250°C, for 5 Sec.



Pitch: 5.0mm, 5.08mm, 7.5mm, 7.62mm

● **材质及电镀**

焊针 : 黄铜, 镀锡
塑件 : PA66, UL94V-0

● **电气性能**

额定电压 : 300V
额定电流 : 15A
接触电阻 : 20mΩ
绝缘电阻 : 5000MΩ / 1000V
耐电压 : AC1500V / 1Min

● **机械性能**

温度范围 : -40°C ~ +105°C
瞬时温度 : +250°C 5秒

● **Material**

Pin header : Brass, Tin plated
Housing : PA66, UL94V-0

● **Electrical**

Rated voltage : 300V
Rated current : 15A
Contact resistance : 20mΩ
Insulation resistance: 5000MΩ / 1000V
Withstanding voltage: AC1500V / 1Min

● **Mechanical**

Temp. Range : -40°C ~ +105°C
MAX Soldering: +250°C, for 5 Sec.