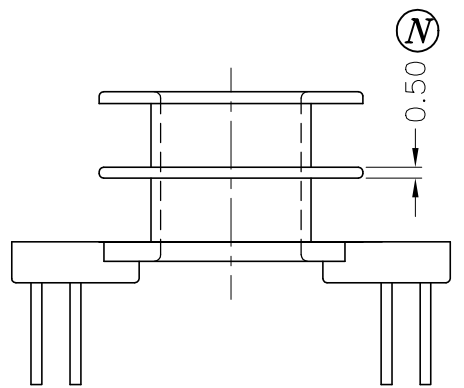


DRAWING NO.	MATERIAL:	ORIGIN
P-604-1	PM9630	DG SZ



B-045.101P (B-045)

B-045.201P(B-045-1)

REV.	REVISIONS	REC.	REV.	REVISIONS	REC.
1	UPDATE DRAWING				
2	CANCEL (M),(P),(Q); UPDATE DRAWING				

DRAWN & DRAFTED BY ZHONG SHENG	TOLERANCES		ANGLE:	TITLE:	
	$0 < L \leq 4$	$\pm 0.1$	$\pm 1^\circ$	T-H BOBBIN RM-6	
CHECKED & APPROVED BY RONG HONGJUN	$4 < L \leq 16$	$\pm 0.2$	UNIT:	BOBBIN MATERIAL:	UL REC.
	$16 < L \leq 63$	$\pm 0.3$	MM	PHENOLIC PM9630	UL 94V-0
<b>PIN SHINE INDUSTRIAL CO., LTD.</b> TEL: 886-2-22990545      FAX: 886-2-22990546			ORIGIN:	PIN MATERIAL:	PIN TENSION LOAD:
			DG SZ	CP WIRE	0.7KG MIN.
			DATE:	DRAWING NO.	REV.
			MAR.27 '2003	P-604	2