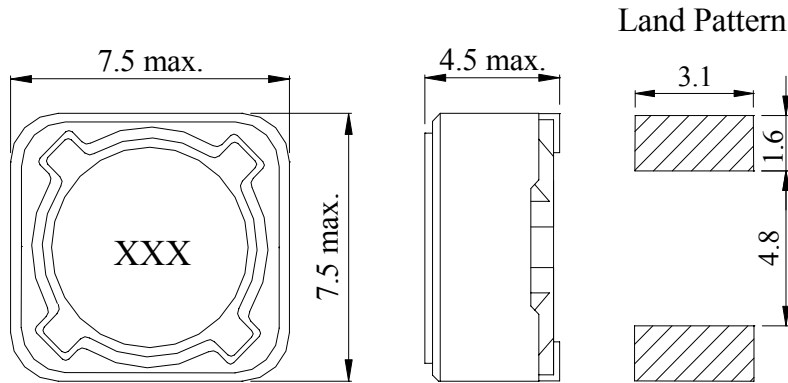


【SDRH74-SERIES】

DIMENSIONS & RECOMMENDED PATTERN



Unit: mm

※ FEATURES

- Applications : DC to DC converters for VTR, OA equipment, LCD television set, notebook, portable communication equipments

SELECTION GUIDE FOR STANDARD COILS

SDE Part Number	Inductance (μH)	Tolerance (%)	DC Resistance (Ω) Max	Inductance Decrease Current (A) Max
SDRH74 - 1R0M	1.0	$\pm 20\%$	0.014	5.86
SDRH74 - 3R3M	3.3	$\pm 20\%$	0.026	4.70
SDRH74 - 6R8M	6.8	$\pm 20\%$	0.042	3.67
SDRH74 - 100M	10.0	$\pm 20\%$	0.049	1.84
SDRH74 - 120M	12.0	$\pm 20\%$	0.058	1.71
SDRH74 - 150M	15.0	$\pm 20\%$	0.081	1.47
SDRH74 - 180M	18.0	$\pm 20\%$	0.091	1.31
SDRH74 - 220M	22.0	$\pm 20\%$	0.110	1.23
SDRH74 - 270M	27.0	$\pm 20\%$	0.150	1.12
SDRH74 - 330M	33.0	$\pm 20\%$	0.170	0.96
SDRH74 - 390M	39.0	$\pm 20\%$	0.230	0.91
SDRH74 - 470M	47.0	$\pm 20\%$	0.260	0.88
SDRH74 - 560M	56.0	$\pm 20\%$	0.350	0.75
SDRH74 - 680M	68.0	$\pm 20\%$	0.380	0.69
SDRH74 - 820M	82.0	$\pm 20\%$	0.430	0.61
SDRH74 - 101M	100.0	$\pm 20\%$	0.610	0.60
SDRH74 - 121M	120.0	$\pm 20\%$	0.660	0.52
SDRH74 - 151M	150.0	$\pm 20\%$	0.880	0.46

【SDRH74-SERIES】

SELECTION GUIDE FOR STANDARD COILS

SDE Part Number	Inductance	Tolerance	DC Resistance	Inductance Decrease Current
	(μ H)	(%)	(Ω) Max	(A) Max
SDRH74 - 181M	180.0	$\pm 20\%$	0.980	0.42
SDRH74 - 221M	220.0	$\pm 20\%$	1.170	0.36
SDRH74 - 271M	270.0	$\pm 20\%$	1.640	0.34
SDRH74 - 331M	330.0	$\pm 20\%$	1.860	0.32
SDRH74 - 391M	390.0	$\pm 20\%$	2.850	0.29
SDRH74 - 471M	470.0	$\pm 20\%$	3.010	0.26
SDRH74 - 561M	560.0	$\pm 20\%$	3.620	0.23
SDRH74 - 681M	680.0	$\pm 20\%$	4.630	0.22
SDRH74 - 821M	820.0	$\pm 20\%$	5.200	0.20
SDRH74 - 102M	1000.0	$\pm 20\%$	6.000	0.18

※ GENERAL SPECIFICATION:

- Inductance drop =25% typ. at IDC.
- $\Delta T=40^{\circ}\text{C}$ rise at IDC.
- Operating Temperature : $-40^{\circ}\text{C} \sim +85^{\circ}\text{C}$
- Test Freq. : 1KHz / 1V.