

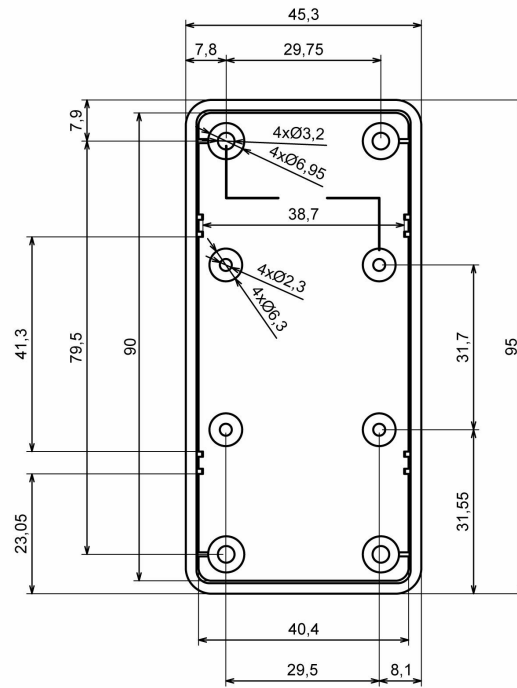
All rights reserved, Copyright

Product model Enclosure Z75 - cover

Format: A3 Material: PS, ABS

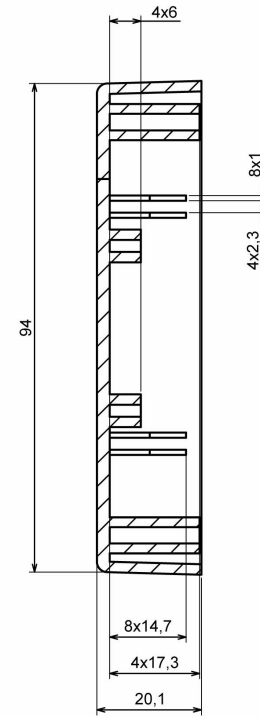
Scale 1:1 Tolerance: +/- 0.5

B |

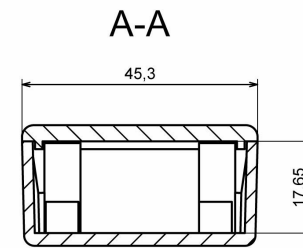
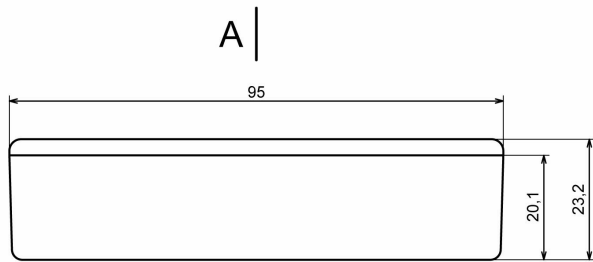


B |

B-B



All rights reserved, Copyright		
Product model	Enclosure Z75 - Base	
Format: A3	Material: PS, ABS	
Scale 1:1	Tolerance: +/- 0.5	



A |

All rights reserved, Copyright		
Product model	Enclosure Z75 - assembly	
Format: A3	Material: PS, ABS	
Scale 1:1	Tolerance: +/- 0.5	