

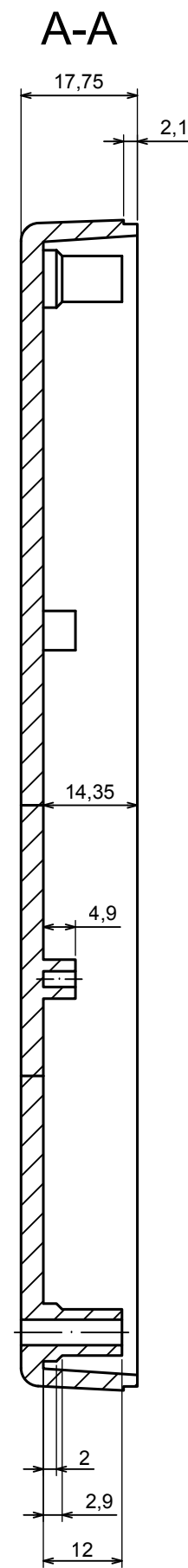
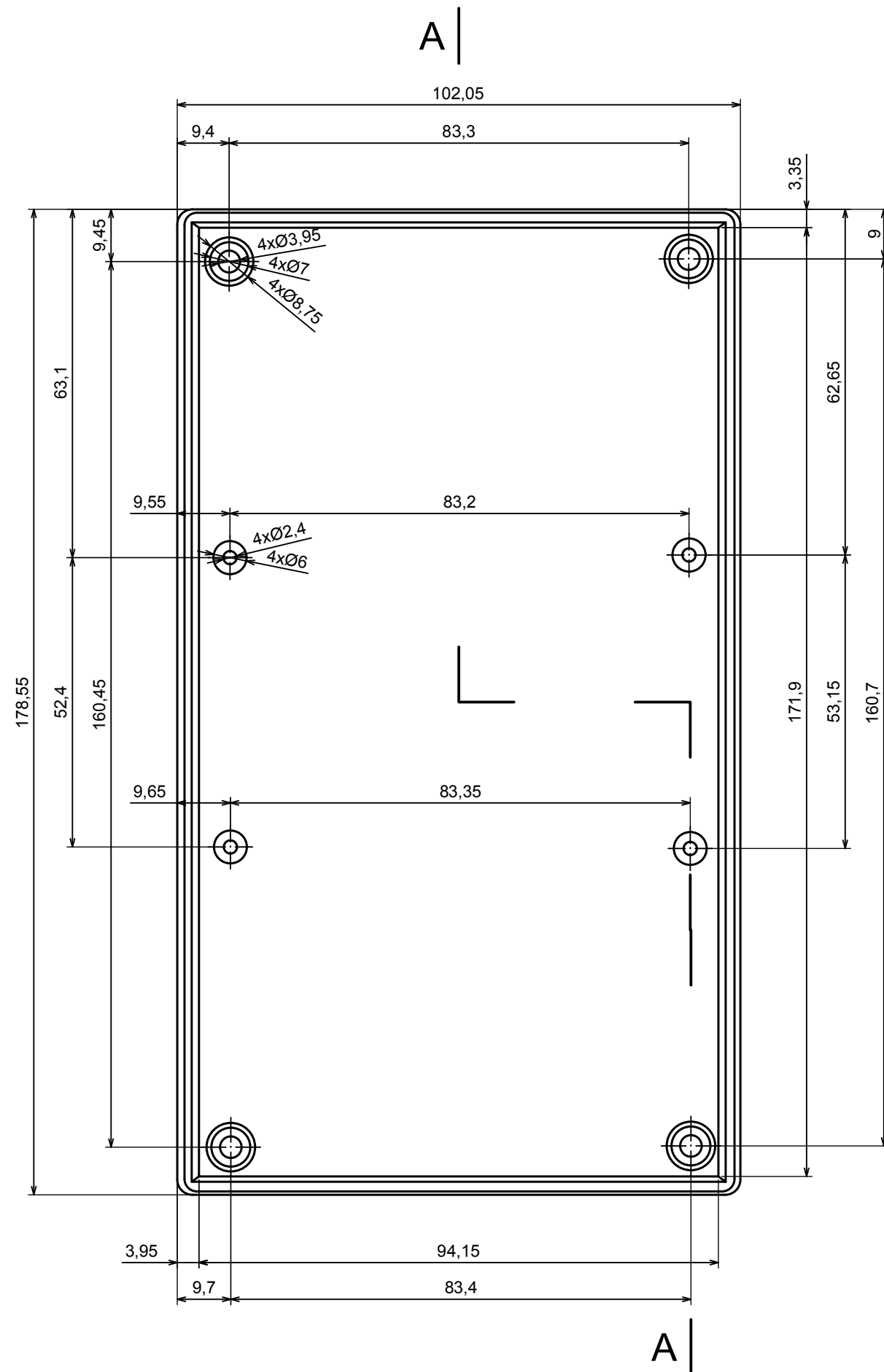
All rights reserved, Copyright Kradex 2016

Product model Enclosure Z72 - assembly

Format: A3 Material: PS, ABS

Scale 1:1 Tolerance: +/- 0.8





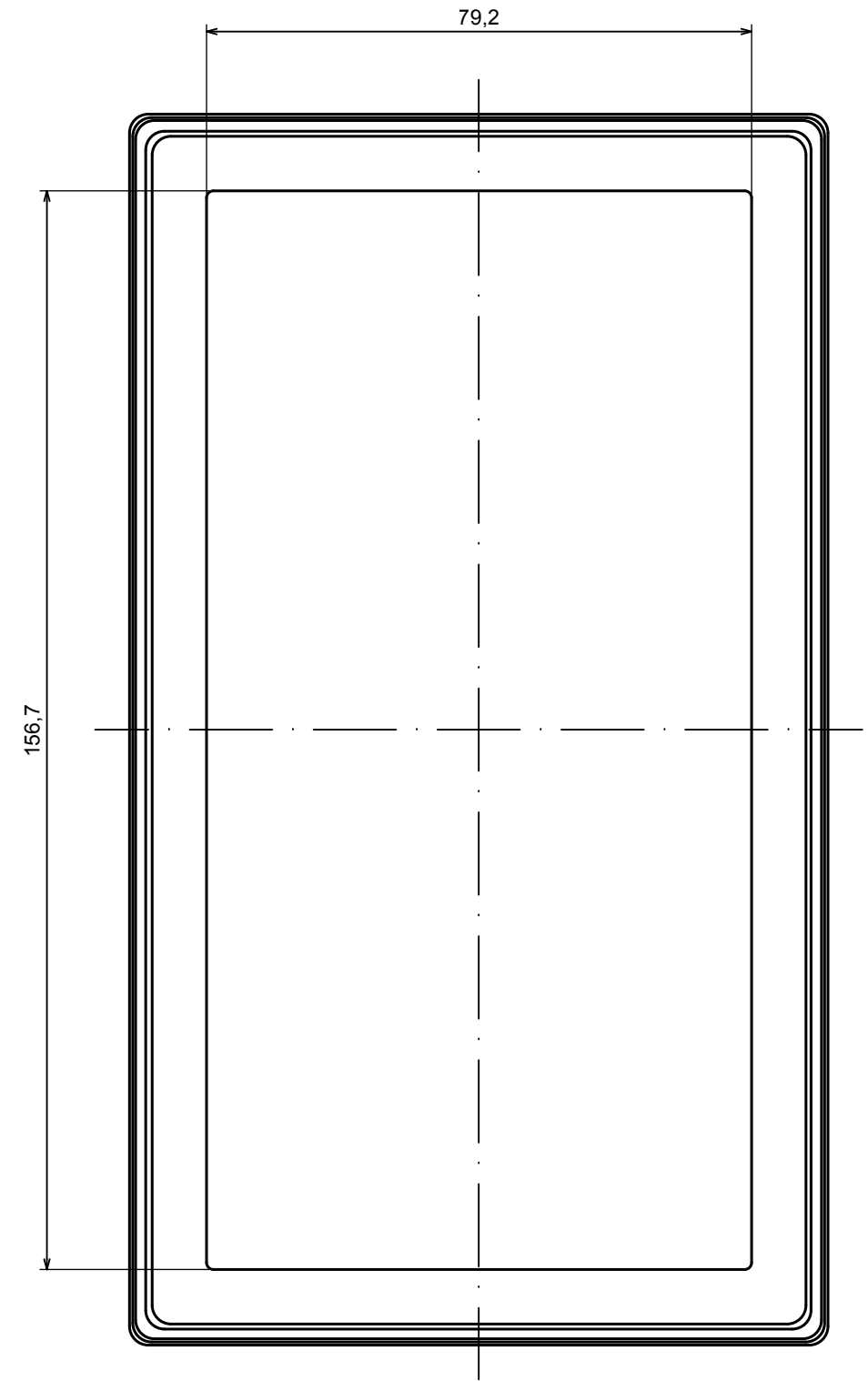
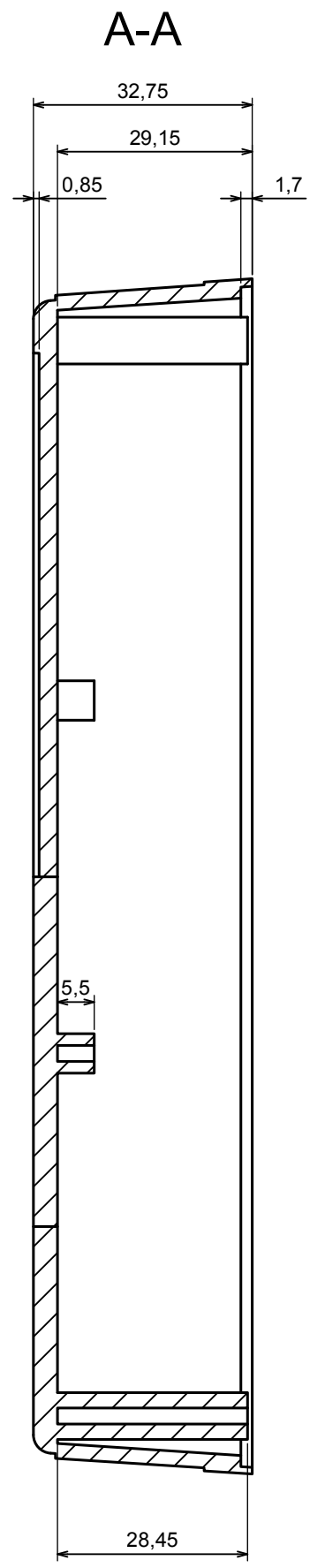
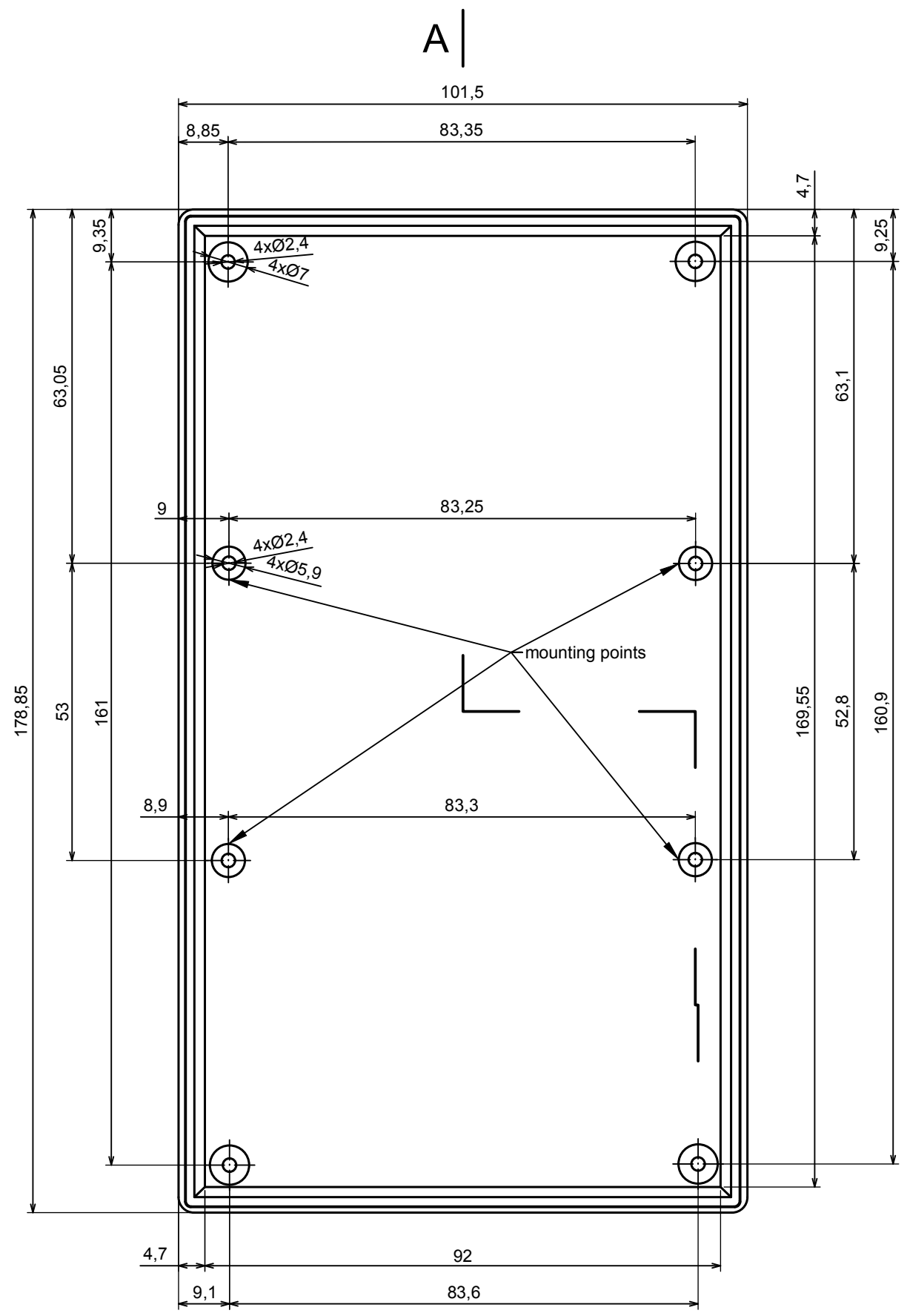
All rights reserved, Copyright Kradox 2016

Product model: Enclosure Z72 - base

Format: A3 Material: PS, ABS

Scale 1:1 Tolerance: +/- 0.8

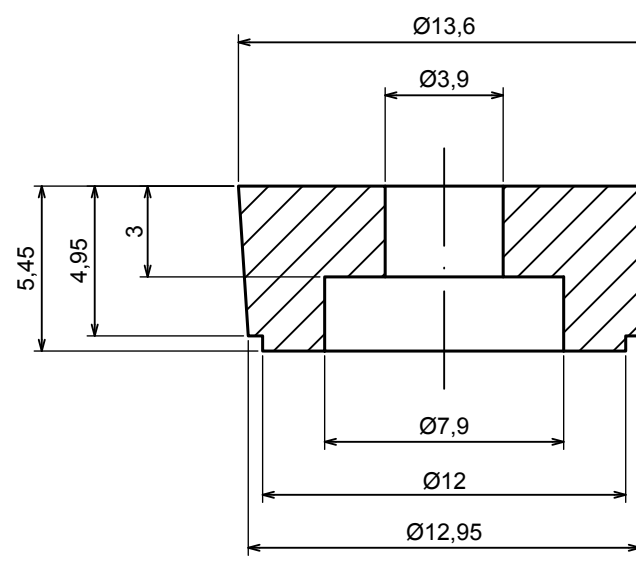





A |

All rights reserved, Copyright Kradox 2016	
Product model	Enclosure Z72 - cover
Format: A3	Material: PS, ABS
Scale 1:1	Tolerance: +/- 0.8





All rights reserved, Copyright Kradox 2016		
Product model	Enclosure Z72 - foot	
Format: A3	Material: PS, ABS	
Scale 4:1	Tolerance: +/- 0.5	