
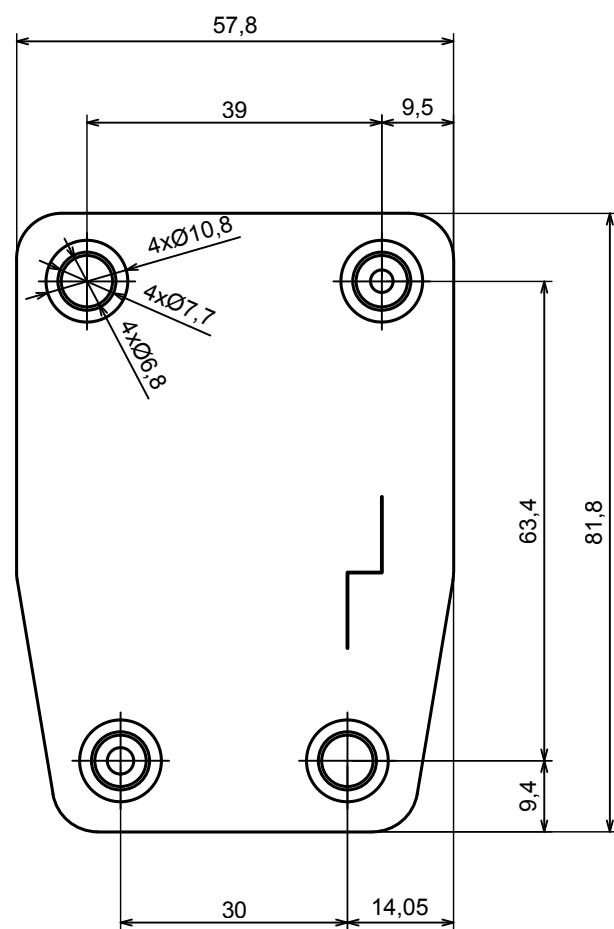
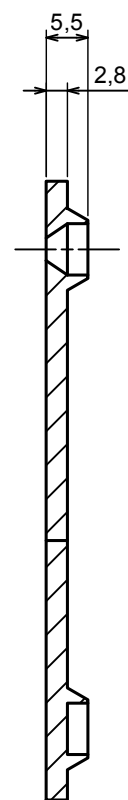


All rights reserved, Copyright Kradox 2018		
Product model	Enclosure Z92 - Assembly	
Format: A3	Material: PS, ABS	
Scale 1:1	Tolerance: +/- 0.8	

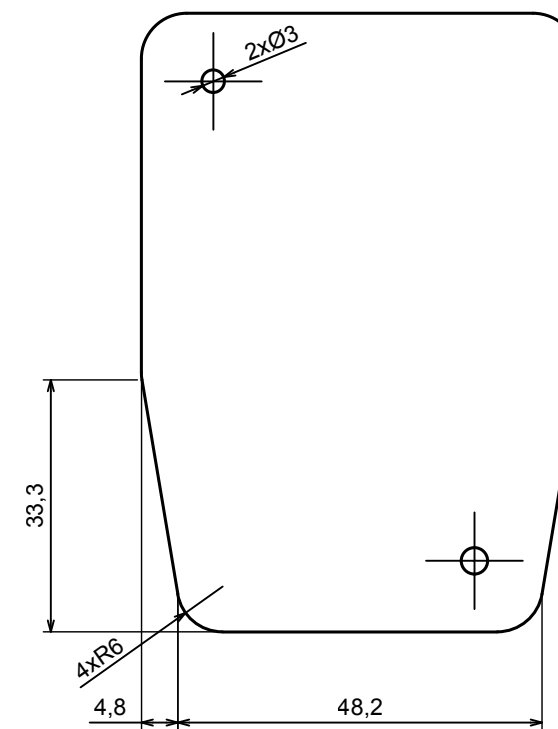
A |



A-A



A |



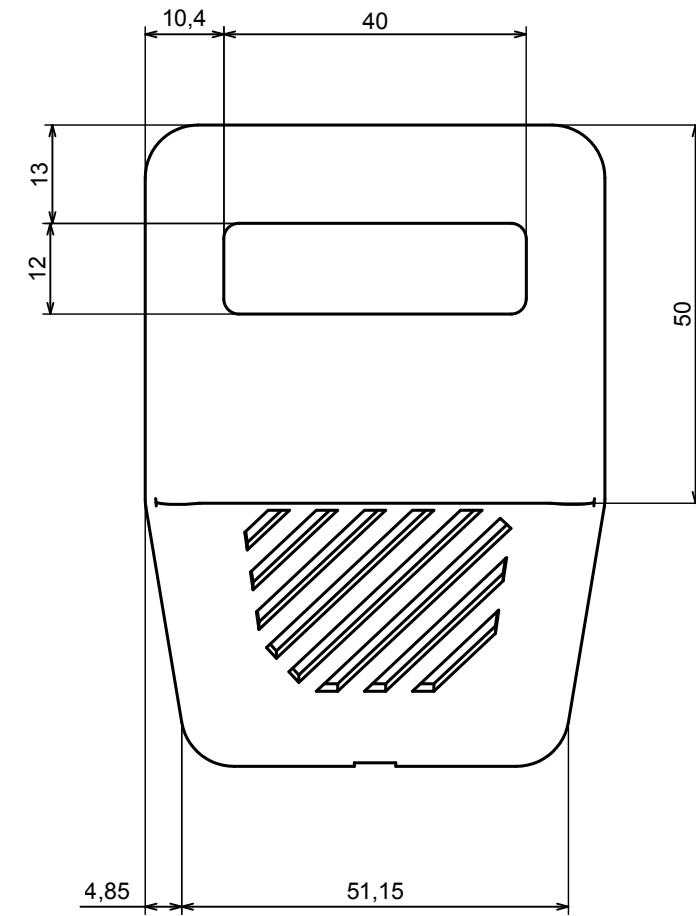
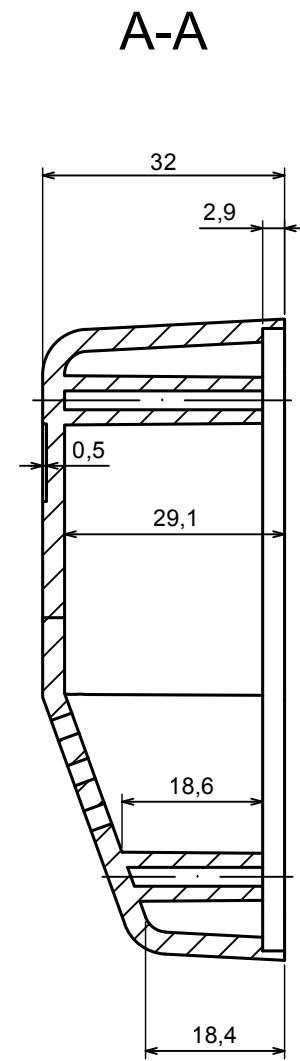
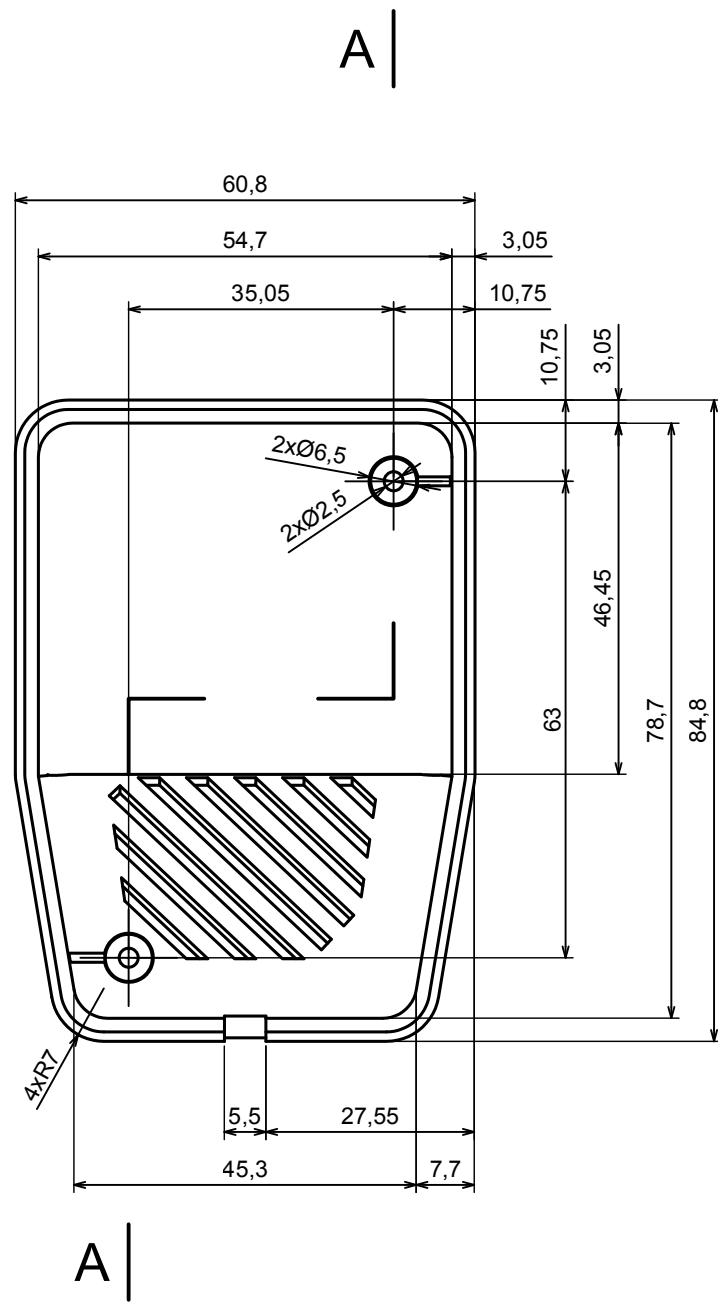
All rights reserved, Copyright Kradox 2018

Product model: Enclosure Z92 - Base

Format: A3 Material: PS, ABS

Scale 1:1 Tolerance: +/- 0.8





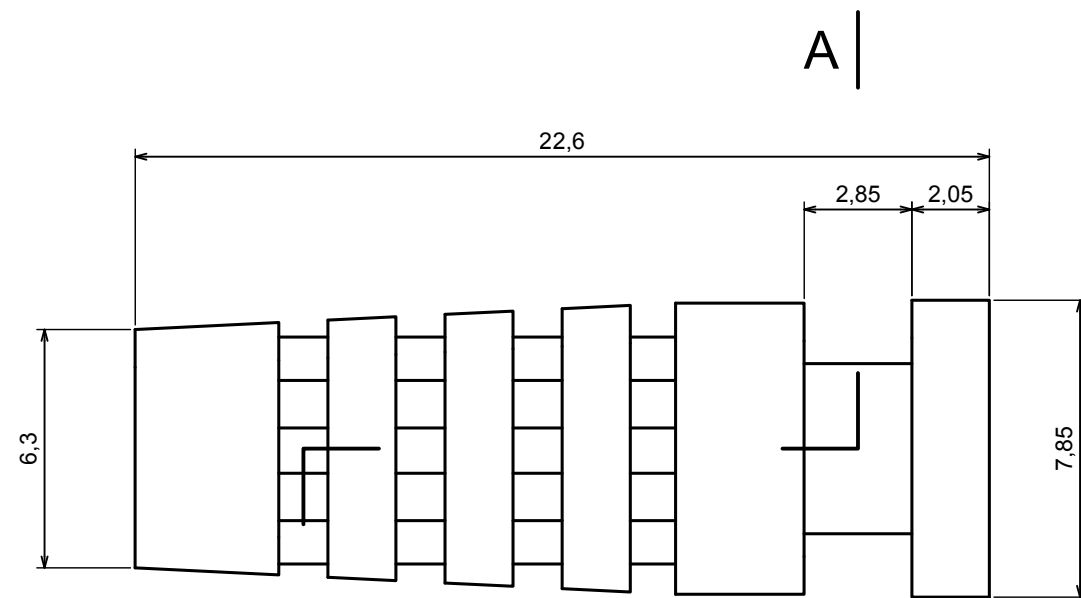
All rights reserved, Copyright Kradox 2018

Product model Enclosure Z92 - Cover

Format: A3 Material: PS, ABS

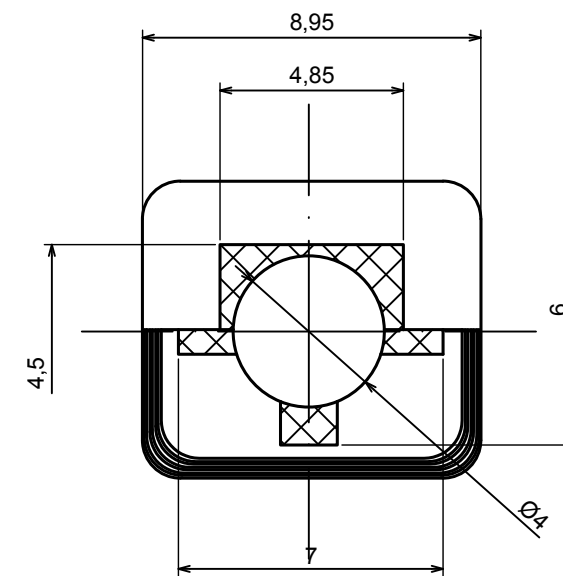
Scale 1:1 Tolerance: +/- 0.8





A |

A-A



All rights reserved, Copyright Kradox 2018

Product model Enclosure Z92 - Bend Protector Ø4

Format: A3 Material: Rubber

Scale 5:1 Tolerance: +/- 0.5

