



Is Now Part of



ON Semiconductor®

To learn more about ON Semiconductor, please visit our website at
www.onsemi.com

ON Semiconductor and the ON Semiconductor logo are trademarks of Semiconductor Components Industries, LLC dba ON Semiconductor or its subsidiaries in the United States and/or other countries. ON Semiconductor owns the rights to a number of patents, trademarks, copyrights, trade secrets, and other intellectual property. A listing of ON Semiconductor's product/patent coverage may be accessed at www.onsemi.com/site/pdf/Patent-Marking.pdf. ON Semiconductor reserves the right to make changes without further notice to any products herein. ON Semiconductor makes no warranty, representation or guarantee regarding the suitability of its products for any particular purpose, nor does ON Semiconductor assume any liability arising out of the application or use of any product or circuit, and specifically disclaims any and all liability, including without limitation special, consequential or incidental damages. Buyer is responsible for its products and applications using ON Semiconductor products, including compliance with all laws, regulations and safety requirements or standards, regardless of any support or applications information provided by ON Semiconductor. "Typical" parameters which may be provided in ON Semiconductor data sheets and/or specifications can and do vary in different applications and actual performance may vary over time. All operating parameters, including "Typicals" must be validated for each customer application by customer's technical experts. ON Semiconductor does not convey any license under its patent rights nor the rights of others. ON Semiconductor products are not designed, intended, or authorized for use as a critical component in life support systems or any FDA Class 3 medical devices or medical devices with a same or similar classification in a foreign jurisdiction or any devices intended for implantation in the human body. Should Buyer purchase or use ON Semiconductor products for any such unintended or unauthorized application, Buyer shall indemnify and hold ON Semiconductor and its officers, employees, subsidiaries, affiliates, and distributors harmless against all claims, costs, damages, and expenses, and reasonable attorney fees arising out of, directly or indirectly, any claim of personal injury or death associated with such unintended or unauthorized use, even if such claim alleges that ON Semiconductor was negligent regarding the design or manufacture of the part. ON Semiconductor is an Equal Opportunity/Affirmative Action Employer. This literature is subject to all applicable copyright laws and is not for resale in any manner.



FPF2024/25/26/27 Full Functional Load Switch with 100 mA Current Limit

Features

- 1.6 V to 5.5 V Input Voltage Range
- Ultra Low Average Quiescent Current 1 μ A Typical at 1.8 V
- Typical $R_{DS(ON)} = 225\text{ m}\Omega$ at $V_{IN} = 3.3\text{ V}$
- Typical $R_{DS(ON)} = 280\text{ m}\Omega$ at $V_{IN} = 1.8\text{ V}$
- 100 mA Fixed Current Limit Minimum
- Under-Voltage Lockout (UVLO)
- CMOS and Open Drain Fault Flag Options
- Fault Blanking
- Auto Restart
- Thermal Shutdown
- ESD Protection
 - >5500 V HBM
 - >1500 V CDM

Applications

- PDAs
- Cell Phones
- GPS Devices
- Digital Cameras
- Peripheral Ports
- MP3 Players

Description

The FPF2024/5/6/7 are low $R_{DS(ON)}$ P-Channel MOSFET load switches with 150 mA typical current limit value targeting small package load switch applications. The extended input voltage range spans from 1.6 V to 5.5 V to fulfill today's ultra-portable device's supply requirements. Switch control is by a logic input (ON) capable of interfacing directly with a low voltage control signal.

The FPF2024/25/26/27 respond to an output overload condition by going into constant current mode where the output current is regulated by the load switch. If the over-current condition persists beyond the 10 ms Blanking Time, the FPF2024 and FPF2025 pull the fault signal pin (FLAGB) low and shut-off the switch. An Auto-Restart feature turns the FPF2024 and FPF2025 on again after 70 ms if the ON pin is still active. The FPF2026 has a Latch-Off feature which shuts off the switch off after the expiration of the 10 ms Blanking Time and keeps it off until the ON pin is toggled. The FPF2027 responds to an overload condition by immediately pulling the fault signal pin LOW and the switch remains in constant current mode until the output overload condition is removed. The FPF2027 has a Startup Blanking feature which prevents startup transient over-current conditions from triggering the fault signal pin for 10 ms after initial turn on via the ON pin.

These parts are available in a space-saving 6-ball advanced. Pb-Free 1.0 x1.5 mm² CSP package.

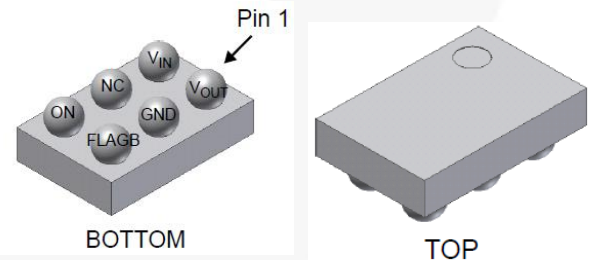


Figure 1. 6-Ball 1.0 x1.5 mm² CSP Package

Ordering Information

Part Number	Min. Limit [mA]	Blank Current Limit Time [ms]	Auto-Restart Time [ms]	ON Pin Activity	FLAGB	Top Mark
FPF2024	100	10	70	Active HI	Open Drain	S2
FPF2025	100	10	70	Active LO	CMOS	S3
FPF2026	100	10	n/a	Active HI	Open Drain	S4
FPF2027	100	0	n/a	Active HI	Open Drain	S5

Typical Application

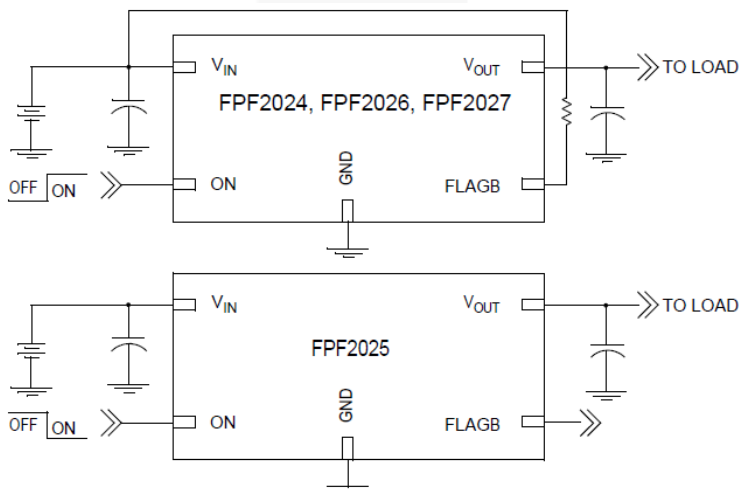


Figure 2. Typical Application

Block Diagram

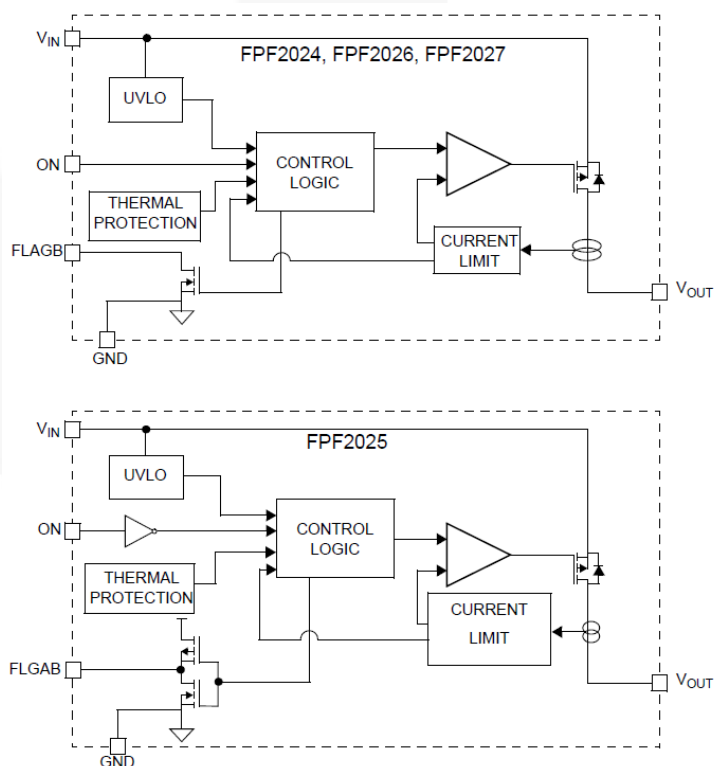


Figure 3. Block Diagram

Pin Configuration

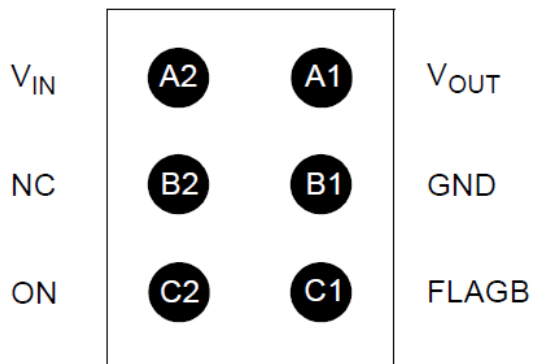


Figure 4. Pin Assignment 1.0 x 1.5 CSP Bottom View

Pin Description

Pin	Name	Function
A1	V_{OUT}	Switch Output. Output of the power switch.
A2	V_{IN}	Supply Input. Input to the power switch and the supply voltage for the IC.
B1	GND	Ground.
B2	NC	No Connection.
C1	FLAGB	Fault Output. Active LOW, open drain output for FPF2024/26/27 and CMOS output for FPF2025. FLAGB indicates an over-current, supply under-voltage or over-temperature state.
C2	ON	ON/OFF Control Input. Active HIGH for FPF2024/26/27 and Active LOW for FPF2025.

Absolute Maximum Ratings

Stresses exceeding the absolute maximum ratings may damage the device. The device may not function or be operable above the recommended operating conditions and stressing the parts to these levels is not recommended. In addition, extended exposure to stresses above the recommended operating conditions may affect device reliability. The absolute maximum ratings are stress ratings only.

Symbol	Parameter	Min.	Max.	Unit
V_{IN}	V_{IN} , V_{OUT} , ON, FLAG, GND	-0.3	6.0	V
P_D	Power Dissipation at $T_A=25^{\circ}C^{(1)}$		1.2	W
I_{SW}	Maximum Continuous Switch Current		0.2	A
T_A	Operating Temperature Range	-40	125	$^{\circ}C$
T_{STG}	Storage Junction Temperature	-65	150	$^{\circ}C$
Θ_{JA}	Thermal Resistance, Junction-to-Ambient		85	$^{\circ}C/W$
ESD	Electrostatic Discharge Capability	Human Body Model	5500	V
		Charged Device Model	1500	

Note:

1. Package power dissipation on 1 square inch pad, 2 oz. copper board.

Recommended Operating Conditions

The Recommended Operating Conditions table defines the conditions for actual device operation. Recommended operating conditions are specified to ensure optimal performance. Fairchild does not recommend exceeding them or designing to Absolute Maximum Ratings.

Symbol	Parameter	Min.	Max.	Unit
V_{IN}	Input Voltage	1.6	5.5	V
T_A	Ambient Operating Temperature	-40	85	$^{\circ}C$

Electrical Characteristics

Unless otherwise noted, $V_{IN}=1.6$ to 5.5 V and $T_A=-40$ to $+85^\circ\text{C}$. Typical values are at $V_{IN}=3.3$ V and $T_A=25^\circ\text{C}$.

Symbol	Parameter	Conditions	Min.	Typ.	Max.	Unit
Basic Operation						
V_{IN}	Operating Voltage		1.6		5.5	V
I_Q	Quiescent Current	$I_{OUT}=0$ mA, V_{ON} Active, $V_{IN}=1.8$ V (Average)		1	4	μA
I_{SD}	Shutdown Current	$V_{ON}=V_{IN}$, (FPF2025) $V_{ON}=\text{GND}$ (FPF2024/26/27), $I_{OUT}=0$			1	μA
R_{ON}	On Resistance	$T_A=25^\circ\text{C}$, $V_{IN}=5.5$ V		215	315	m Ω
		$T_A=-40$ to 85°C , $V_{IN}=5.5$ V	120	215	350	
		$T_A=25^\circ\text{C}$, $V_{IN}=3.3$ V		225	325	
		$T_A=-40$ to $+85^\circ\text{C}$, $V_{IN}=3.3$ V	140	225	360	
		$T_A=25^\circ\text{C}$, $V_{IN}=1.6$ V		305	490	
		$T_A=-40$ to $+85^\circ\text{C}$, $V_{IN}=1.6$ V	180	305	580	
V_{IH}	On Input Logic HIGH Voltage	$V_{IN}=1.6$ V	0.8			V
		$V_{IN}=5.5$ V	1.5			
V_{IL}	On Input Logic LOW Voltage	$V_{IN}=1.6$ V			0.45	V
		$V_{IN}=5.5$ V			0.9	
I_{ON}	On Input Leakage	$V_{ON}=V_{IN}$ or GND			1.0	μA
I_{SWOFF}	Off Switch Leakage	$V_{ON}=V_{IN}$, $V_{OUT}=0$ V			1.0	μA
	FLAGB Output Logic Low Voltage	$V_{IN}=5.5$ V, $I_{SINK}=1$ mA		0.1	0.2	V
		$V_{IN}=1.8$ V, $I_{SINK}=1$ mA		0.1	0.3	
	FLAGB Output Logic High Voltage	$V_{IN}=5.5$ V, $I_{SOURCE}=1$ mA, FPF2025	5.2	5.4		V
		$V_{IN}=1.6$ V, $I_{SOURCE}=1$ mA, FPF2025	1.20	1.35		
	FLAGB Output High Leakage Current	$V_{IN}=5.5$ V, Switch On, FPF2024, FPF2026, FPF2027			1.0	μA
Protections						
I_{LIM}	Current Limit	$V_{IN}=3.3$ V, $V_{OUT}=3.0$ V, $T_A=25^\circ\text{C}$	100	150	200	mA
	Thermal Shutdown	Shutdown Threshold T_J Increasing		140		$^\circ\text{C}$
		Return from Shutdown		130		
		Hysteresis		10		
U_{VLO}	Under-Voltage Lockout	V_{IN} Increasing	1.475	1.525	1.575	V
U_{VLOH}	Under-Voltage Lockout Hysteresis			40		mV
Dynamic Characteristics						
t_{ON}	Turn-On Time	$R_L = 500$ Ω , $C_L = 0.1$ μF		70		μs
t_{OFF}	Turn-Off Time	$R_L = 500$ Ω		10		μs
t_{RISE}	V_{OUT} Rise Time	$R_L = 500$ Ω , $C_L = 0.1$ μF		30		μs
t_{BLANK}	Over-Current Blanking Time	FPF2024, FPF2025, FPF2026	5	10	20	ms
T_{START_BLANK}	Startup FLAGB Blanking Time	FPF2027 ⁽²⁾	5	10	20	ms
t_{RSTRT}	Auto-Restart Time	FPF2024, FPF2025	35	70	140	ms
	Sleep Mode Duration		128.5	257.0	514.0	ms
	Wake-up Mode Duration		0.5	1.0	2.0	ms
	Duty Cycle	Wake-up: Sleep Mode Duty Cycle		1:257		
	Current Limit Response Time	Moderate Over-Current Condition $R_L = 5$ Ω		15		μs
	Blanking/Auto-Restart Duty Ratio	t_{BLANK}/t_{RSTRT} (Internally Fixed) FPF2024, FPF2025		1:7		

Note:

- FPF2027 has a 10 ms Startup FLAGB Blanking Time when the part is turned on via ON pin to ensure transient load currents settle down.

Typical Performance Characteristics

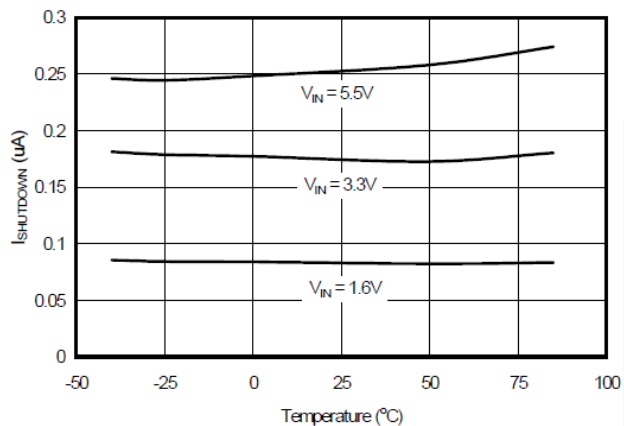


Figure 5. Shutdown Current vs. Temperature

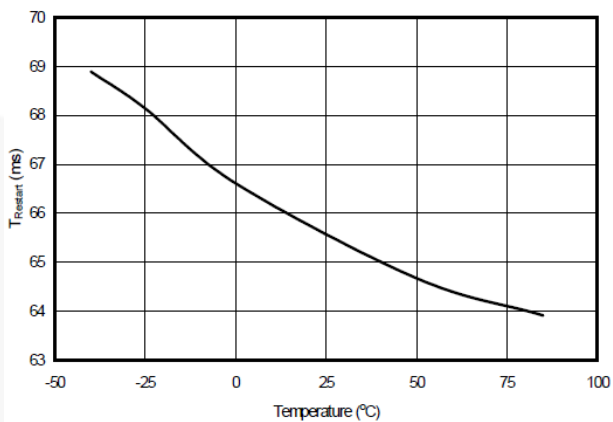


Figure 6. T_{Restart} vs. Temperature

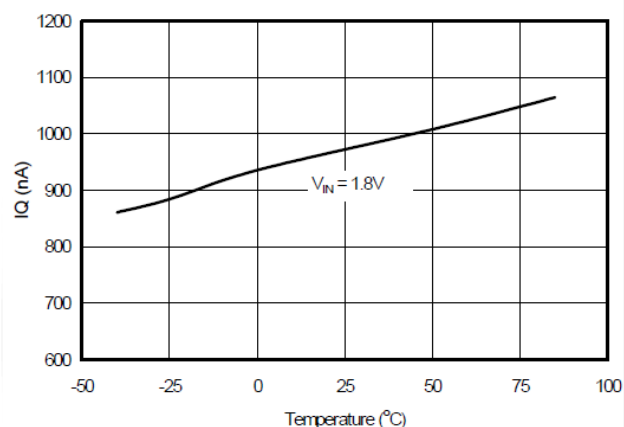


Figure 7. Quiescent Current vs. Temperature

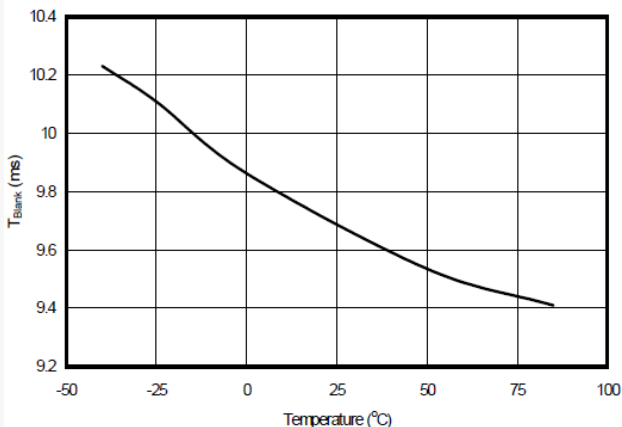


Figure 8. T_{Blank} vs. Temperature

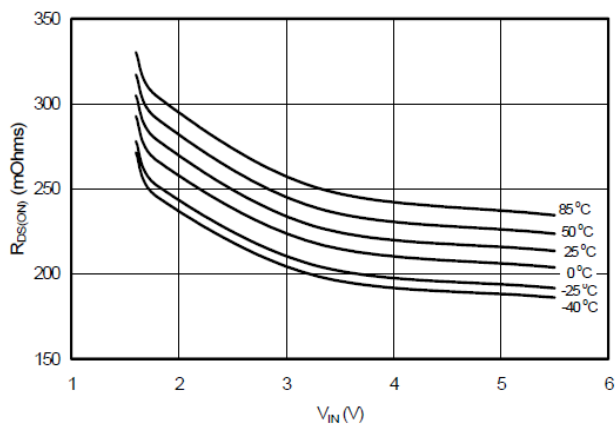


Figure 9. R_{DS(ON)} vs. V_{IN}

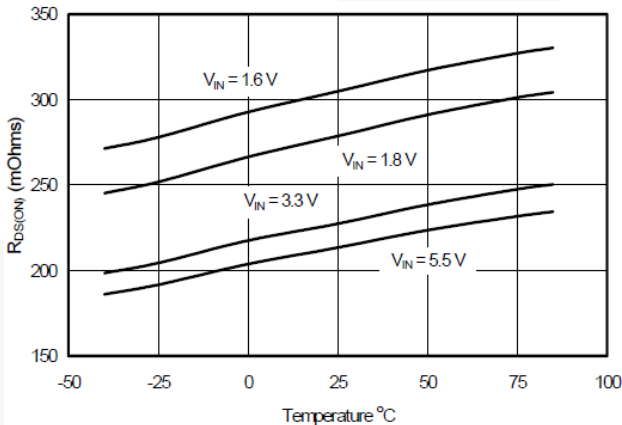


Figure 10. R_{DS(ON)} vs. Temperature

Typical Performance Characteristics (Continued)

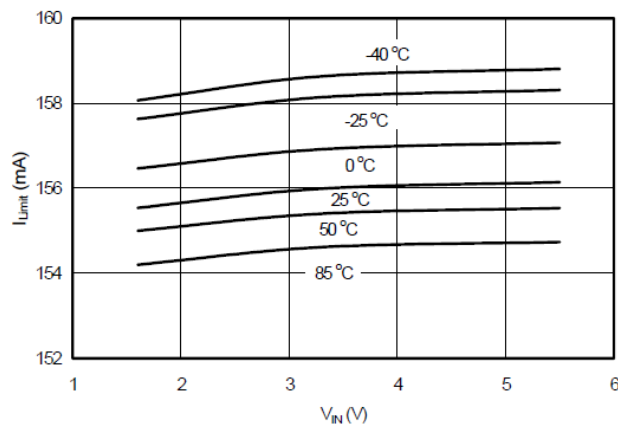


Figure 11. I_{Limit} vs. V_{IN}

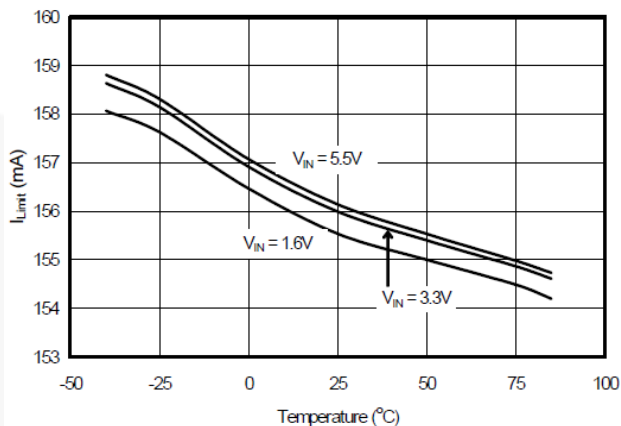


Figure 12. I_{Limit} vs. Temperature

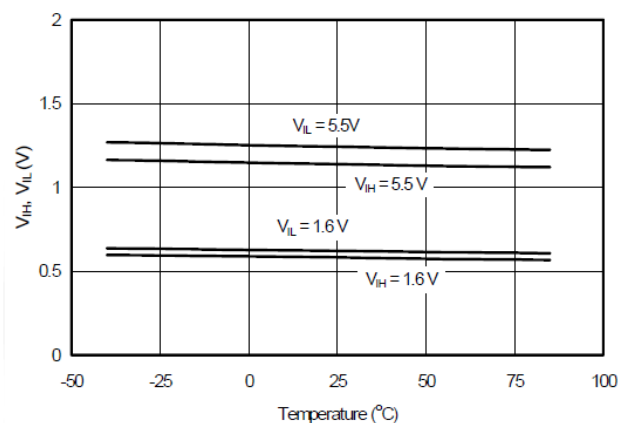


Figure 13. V_{IH} , V_{IL} vs. Temperature

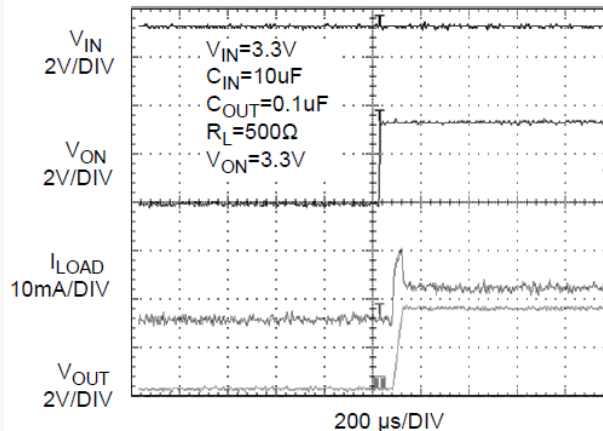


Figure 14. PF2024 t_{ON} Response

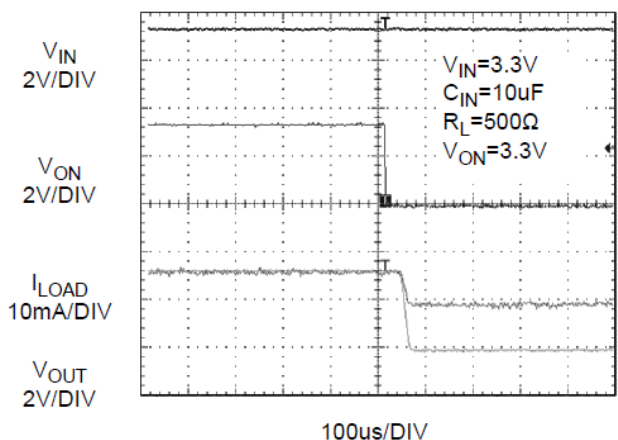


Figure 15. PF2024 t_{OFF} Response

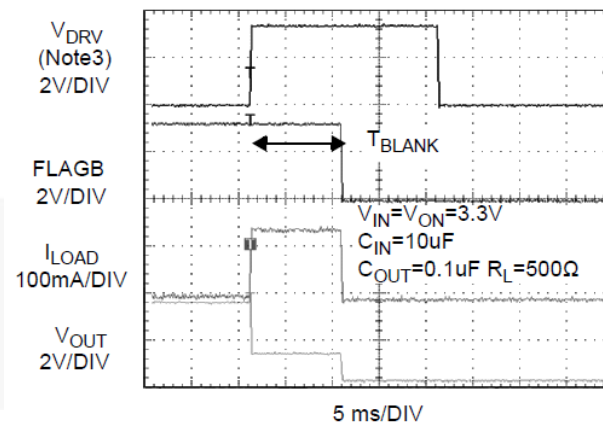


Figure 16. PF2024 T_{BLANK} Response⁽³⁾

Typical Performance Characteristics (Continued)

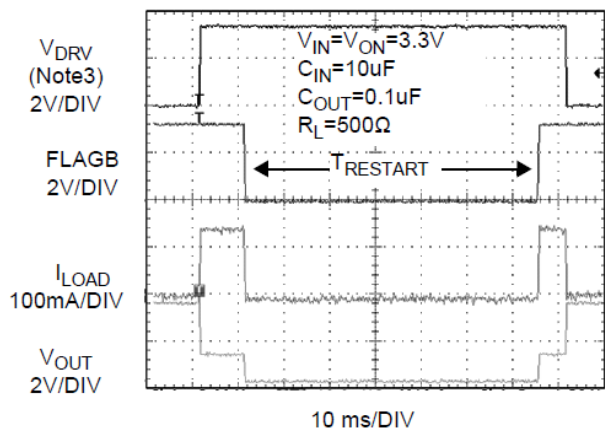


Figure 17. FPF2024 $T_{RESTART}$ Response⁽³⁾

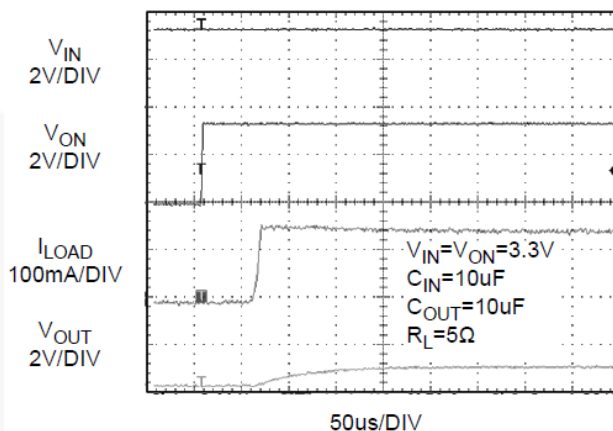


Figure 18. FPF2024 Current Limit Response Time (Output is loaded by 5 Ω and $C_{OUT} = 10 \mu F$)

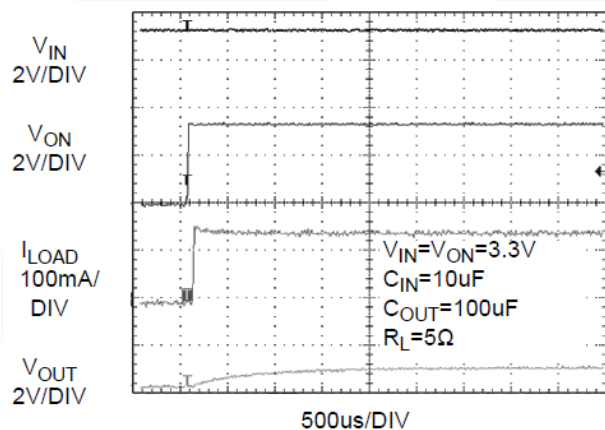


Figure 19. FPF2024 Current Limit Response Time (Output is loaded by 5 Ω and $C_{OUT} = 100 \mu F$)

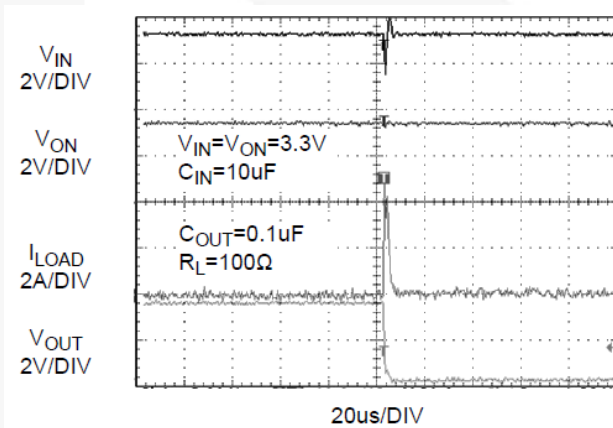


Figure 20. FPF2024 Short Circuit Response Time (Output shorted to GND while the switch is in normal operation)

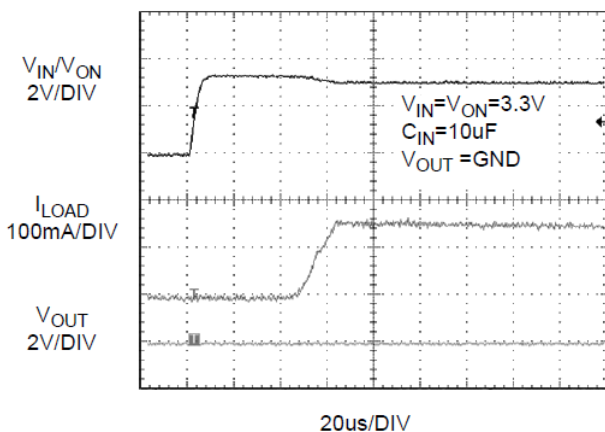


Figure 21. FPF2024 Current Limit Response (Input and enable pin are tied together and V_{OUT} is shorted to GND)

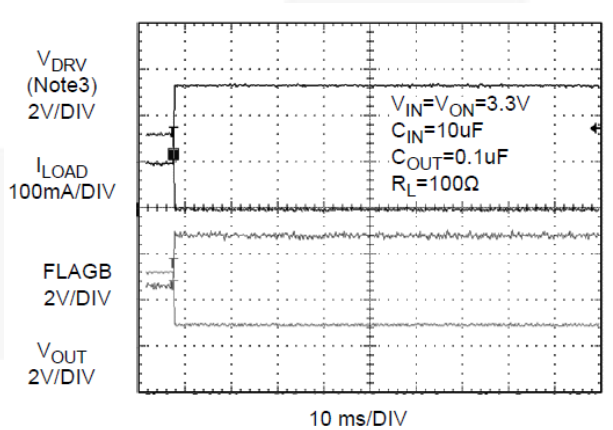


Figure 22. FPF2027 Over-Current⁽³⁾ Over-Current condition is applied while device in normal operation (FLAGB inserts immediately and reports the fault condition)

Typical Performance Characteristics (Continued)

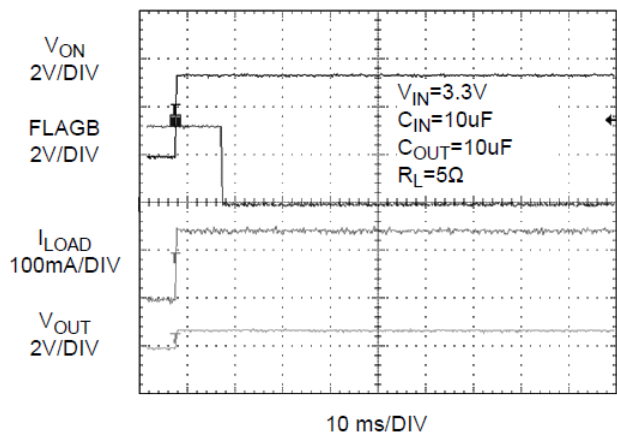


Figure 23. FPF2027 Startup FLAGB Blanking Time

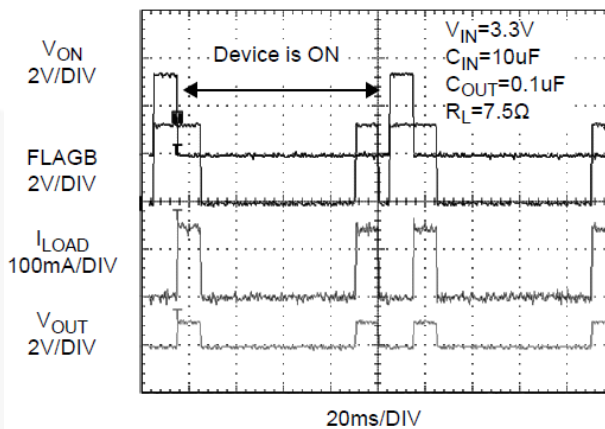


Figure 24. FPF2025 T_{BLANK} and $T_{RESTART}$ (Active LO Device)

Note:

- V_{DRV} signal forces the device to go into over-current condition by loading a 7.5 Ω .

Description of Operation

FPF2024-FPF2027 series Full-Function switches are current limited load switches with ultra-low power consumption. The core of each device consists of a 230 mW P-channel MOSFET featuring slow turn-on to limit the inrush current, fast turn-off, current limit, Under-Voltage Lockout (UVLO) and thermal shutdown protection features and a FLAGB output that indicates that a fault condition has occurred.

Some versions in the FPF202x series also feature Current Limit Blanking and Auto-Restart.

The FPF202x family achieves an ultra-low current consumption of 1 μ A through a proprietary "Sleep and Wake-up Modes" implementation. Full functionality is guaranteed for operating voltages down to 1.6 V over the -40°C to +85°C temperature range.

Sleep and Wakeup Mode Description

The ultra-low power consumption of FPF2024-FPF2027 is achieved through the implementation of proprietary Sleep/ Wakeup modes.

The FPF2024-FPF2027 family turns on in Startup mode where it checks for potential load current, temperature, and under-voltage faults for 10 ms. If no faults are detected during this startup period, the FPF2024-FPF2027 goes into a Sleep mode where it stays for 257 ms. At the end of the Sleep period, the part goes into Wakeup mode to check for any fault condition. If no fault is detected in 1 ms, the part goes back to Sleep mode. The 1:257 Wakeup/Sleep duty cycle results in an overall average current consumption of 1 μ A (typical).

During Sleep mode the thermal and under-voltage conditions are not monitored to reduce the current consumption of the device.

The switch current limiting circuitry is active at all times and protects the FPF2024-FPF2027 against excessive load currents in all modes. While in the Wakeup mode, a current fault event will prevent the part from re-entering into Sleep mode even if input voltage and temperature faults are not present. In such a case, the part functions according to its feature set, e.g., it performs its normal Blanking, Auto-Restart or Latch-off functions as expected. If the over-current condition is removed from the output, the part will go back into Sleep mode after 10ms. The representative state diagrams of the FPF2024-FPF2027 are given in Figure 25, Figure 26 and Figure 27.

The ultra-low quiescent current consumption of 1 μ A along with the very-low minimum operating voltage of 1.6 V, make the FPF2024-FPF2027 an ideal full-function load switch for ultraportable applications.

On/Off Control

The ON pin controls the state of the switch. The FPF2024- FPF2027 series features both active high and low configurations to accommodate various application requirements. FPF2024, FPF2026 and FPF2027 are active high switches while the FPF2025 is an active low device. Applying a continuous high or low signal depending on the switch configuration, will hold the switch in the ON state. The load switch will move into

the OFF state when the ON pin is inactive. In addition, FPF2026 moves into the OFF state if a current fault is encountered for longer duration than the Blanking Time. For all versions, an under-voltage on V_{IN} or a junction temperature in excess of 140°C overrides the ON control and turns off the switch.

In addition, a current fault condition longer than the Blanking Time will cause the switch to turn off in the FPF2024, FPF2025 and FPF2026. The FPF2024 and FPF2025 have an Auto-Restart feature which will automatically turn the switch on again after 70 ms. For the FPF2026, the ON pin must be toggled to turn the switch on again. The FPF2027 does not turn off in response to an over-current condition, and remains in a constant current mode for so long as the ON pin is active, and the thermal shutdown or UVLO are not activated.

The ON pin control voltage and V_{IN} pin have independent recommended operating ranges. The ON pin voltage can be driven by a voltage level higher than the input voltage.

Fault Reporting

Over-current, input under-voltage, or over-temperature fault conditions are signaled out by the FLAGB pin going low. FPF2024, FPF2025 and FPF2026 have a current fault blanking feature which prevents current faults lasting shorter than the Blanking Time of 10 ms (typical) from triggering the fault signal (FLAGB) output.

If the over-current condition persists beyond the Blanking Time, the FPF2024 and FPF2025 pull the FLAGB pin low and shut the switch off. If the ON pin is kept active, an Auto-Restart feature releases the FLAGB pin and turns the switch on again after 70 ms.

If the over-current condition persists beyond the Blanking Time, the FPF2026 has a Latch-Off feature which pulls the FLAGB pin low and shuts the switch off. The switch is kept off and the FLAGB pin is kept low until the ON pin is toggled.

The FPF2027 responds to an overload condition by immediately pulling the FLAGB pin low and the switch remains in constant current mode until the output overload condition is removed. The FPF2027 has a Startup Blanking feature which prevents current faults related to startup transients from triggering the FLAGB output. The Startup Blanking feature is effective for the first 10 ms (typical) following device turn-on via ON pin.

The FPF2024, FPF2026 and FPF2027 have an open-drain MOSFET FLAGB output which requires a pull-up resistor between V_{IN} and FLAGB. A 100 K Ω pull up resistor is recommended. The FPF2025 has a CMOS FLAGB output and does not require a pull-up resistor. During shutdown, the pull-down on FLAGB is disabled to reduce current draw from the supply.

Current Limiting

The current limit function ensures that the current through the switch does not exceed a maximum value while not limiting at less than a minimum value. The minimum current at which the parts will limit the load current is internally set to 100 mA.

The switch current limiting circuitry is active at all times (Sleep and Wakeup mode) and protects the FPF2024-FPF2027 against excessive load currents in all modes. The proprietary current limiting circuit responds to an over-current condition in 15 μ s (typical).

Under-Voltage Lockout (UVLO)

The under-voltage lockout feature turns-off the switch if the input voltage drops below the under-voltage lockout threshold. With the ON pin active, the input voltage rising above the under-voltage lockout threshold will cause a controlled turn-on of the switch and will limit current over-shoots. The UVLO feature is disabled during Sleep mode. If device is in the UVLO condition, FLAGB goes low and indicates the fault. If the input voltage goes below UVLO voltage but remains above 1.3 V (typical) during Sleep mode, the switch is kept on until the next Wakeup cycle, where the UVLO violation will be detected. If the input voltage falls below 1.3 V in Sleep mode, the switch is immediately turned off.

Thermal Shutdown

The Thermal Shutdown protects the device from internally or externally generated excessive temperatures. The Thermal shutdown feature is disabled during Sleep mode. However, excessive load currents that may result in high power dissipation will be detected during Sleep mode and will activate the full function Wakeup mode, which has thermal shutdown protection. During an over-temperature condition the FLAGB is pulled low and the switch is turned-off. If the temperature of the die drops below the threshold temperature, the switch automatically turns on again. To avoid unwanted thermal oscillations, a 10°C (typical) thermal hysteresis is implemented between thermal shutdown entry and exit temperatures.

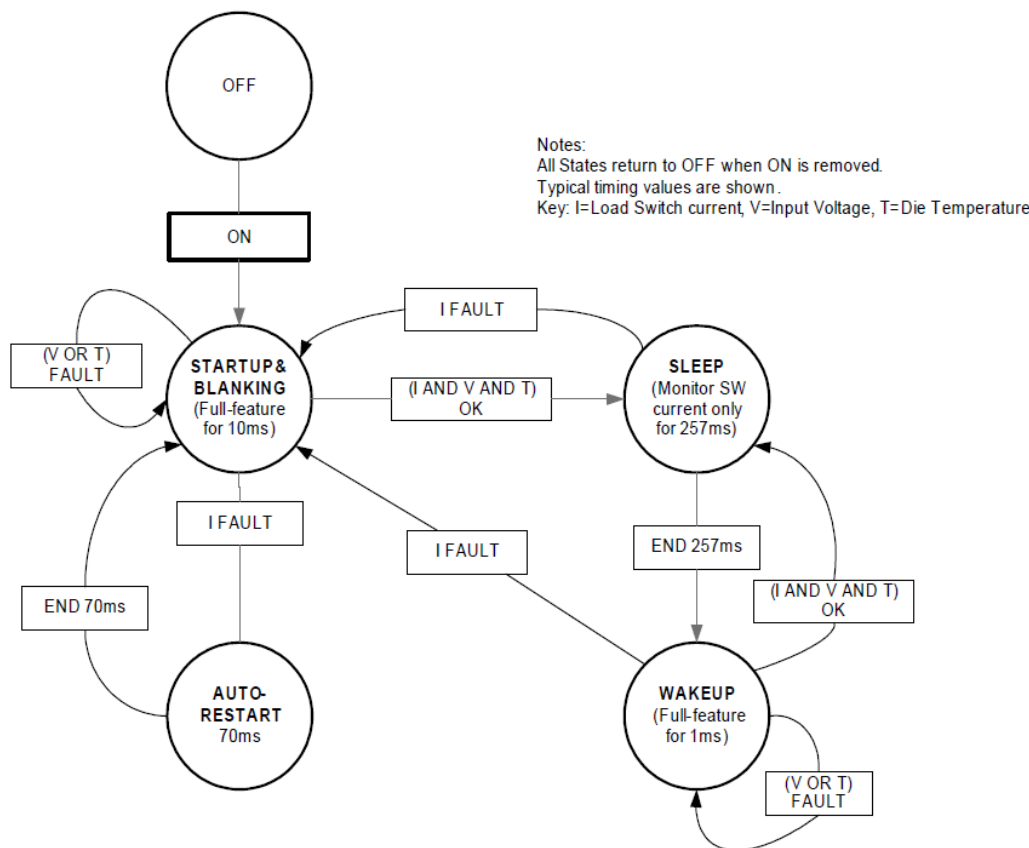


Figure 25. State Diagram with Blanking and Auto-Restart (FPF2024/5)

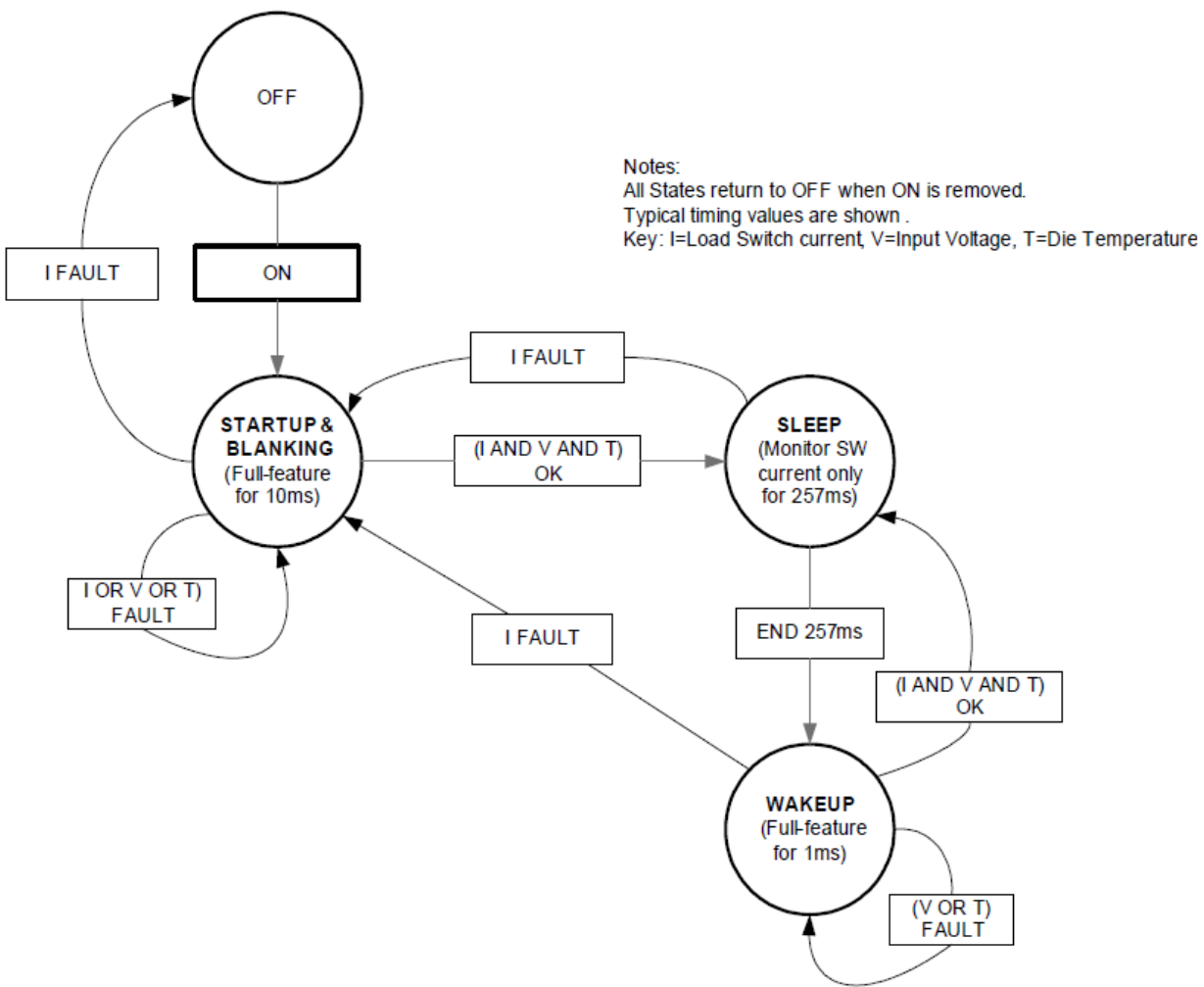


Figure 26. State Diagram with Blanking Only (No Auto-Restart FPF2026)

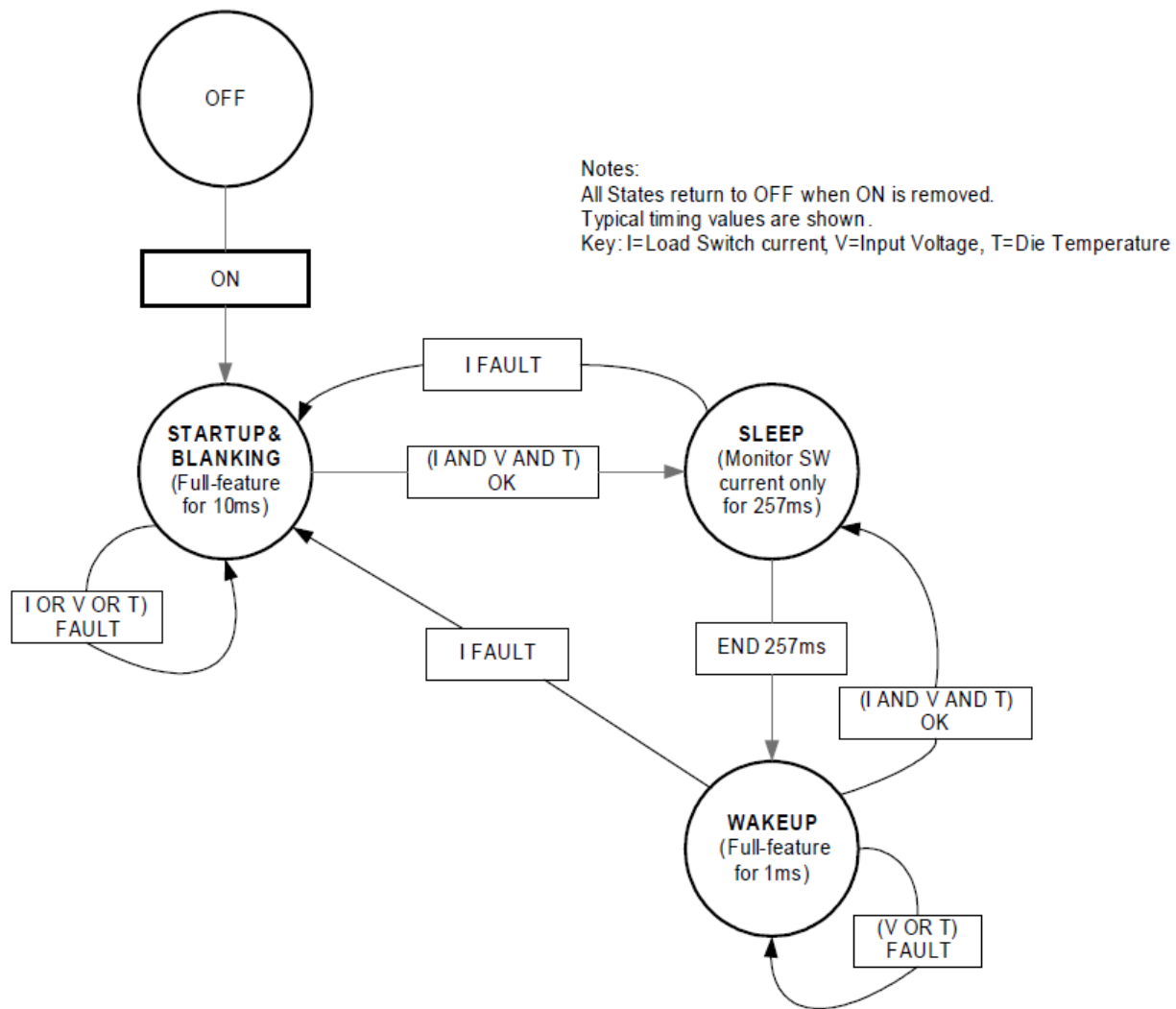


Figure 27. State Diagram with No Blanking (FPF2027)



Application Information

Input Capacitor

To limit the voltage drop on the input supply caused by transient in-rush currents when the switch is turned on into a discharged load capacitor or a short-circuit, a capacitor is recommended to be placed between V_{IN} and GND. The FPF2024-FPF2027 series feature a slow turn-on to limit the inrush current and requires a smaller input capacitor. A 1 μF ceramic capacitor, C_{IN} , placed close to the pins is typically sufficient. Higher values of C_{IN} can be used to further reduce the voltage drop.

Output Capacitor

A 0.1 μF capacitor C_{OUT} , should be placed between V_{OUT} and GND. This capacitor will prevent parasitic board inductances from forcing V_{OUT} below GND when the switch turns-off. For the FPF2024, FPF2025 and FPF2026, the total output capacitance needs to be kept below a maximum value, $C_{OUT(MAX)}$, to prevent the part from registering an over-current condition beyond the Blanking Time and turning-off the switch. The maximum output capacitance can be determined from the following formula:

$$C_{OUT(MAX)} = \frac{I_{LIM(MAX)} \times t_{BLANK(MIN)}}{V_{IN}} \quad (1)$$

Power Dissipation

During normal operation as a switch, the power dissipation is small and has little effect on the operating temperature of the part. The maximum power dissipation while switch is in normal operation occurs just before a part enters the current limit. This may be calculated using the formula below:

$$\begin{aligned} P_{MAX(NORMAL OPERATION)} &= (I_{LIM(MAX)})^2 \times R_{ON(MAX)} \\ &= (0.2)^2 \times 0.58 \\ &= 23.2\text{mW, for } V_{IN} = 1.6\text{V} \end{aligned} \quad (2)$$

If the part goes into current limit, the maximum power dissipation occurs when the output of switch is shorted to ground. For the FPF2024 and FPF2025, the power dissipation will scale with the Auto-Restart Time, t_{RSTRT} , and the Over Current Blanking Time, t_{BLANK} . In this case the maximum power dissipated for the FPF2024 and FPF2025 is:

$$\begin{aligned} P_{MAX(Current Limit)} &= \frac{t_{BLANK}}{t_{BLANK} + t_{RSTRT}} \times V_{IN(MAX)} \times I_{LIM(MAX)} \\ I_{LIM(MAX)} &= \frac{10}{10 + 70} \times 5.5 \times 0.2 = 137\text{mW} \end{aligned} \quad (3)$$

Take note that this is below the maximum package power dissipation, and the thermal shutdown feature provides additional safety to protect the part from damage due to excessive heating. The junction temperature is only able to increase to the thermal shutdown threshold. Once this temperature has been reached, toggling ON will have no effect until the junction temperature drops below the thermal shutdown exit temperature. For the FPF2027, a short on the output will cause the part to operate in a constant current state dissipating a worst case power of:

$$P_{MAX} = V_{IN(MAX)} \times I_{LIM(MAX)} = 5.5 \times 0.2 = 1.1\text{W} \quad (4)$$

Output of FPF2027 is shorted to GND.

This power dissipation is significant enough that it will activate the thermal shutdown protection, and the part will cycle in and out of thermal shutdown so long as the ON pin is active and the output short is present.

Improving Thermal Performance

An improper layout could result in higher junction temperature and ultimately trigger the thermal shutdown protection feature. This concern applies particularly significant for the FPF2027 where the switch is in constant current mode in the overload conditions.

The following techniques have been identified to improve the thermal performance of this family of devices. These techniques are listed in order of the significance of their impact.

- NC pin can be connected to the GND plane to improve thermal performance.
- The V_{IN} , V_{OUT} and GND pins will dissipate most of the heat generated during a high load current condition. Using wide traces will help minimize parasitic electrical effects, along with minimizing the case to ambient thermal impedance. The layout suggested in Figure 28 provides each pin with adequate copper so that heat may be transferred out of the device as efficiently as possible. The low-power FLAGB and ON pin traces may be laid-out to maximize the area available to the ground pad.
- Placing the input and output capacitors as close to the device as possible also contributes to heat dissipation, particularly during high load currents.

FPF202X Demo Board

FPF202X Demo board has components and circuitry to demonstrate the functions and features of the FPF202X load switch family. An N-Channel MOSFET(Q), in series with a 7.5 Ω resistor, are connected between V_{OUT} and the GND pin of the device. By turning on the Q transistor, the 7.5 Ω is loaded to the output voltage and simulates an over-current condition. The R2 resistor is connected between FLAGB pin and input voltage as pull-up resistor for FPF2024, FPF2026 and FPF2027 devices. The FPF2025 does not require a pull-up resistor due to its CMOS output structure.

The thermal performance of the board is improved using the techniques recommended in the layout recommendations section of datasheet.

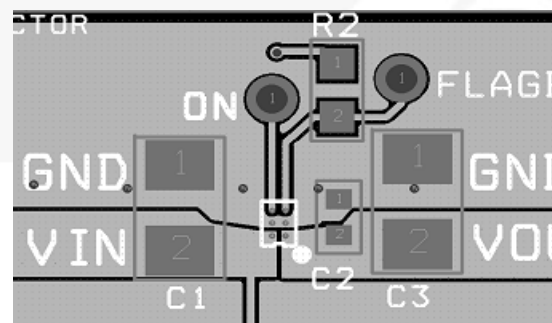


Figure 28. FPF2020X Proper Layout

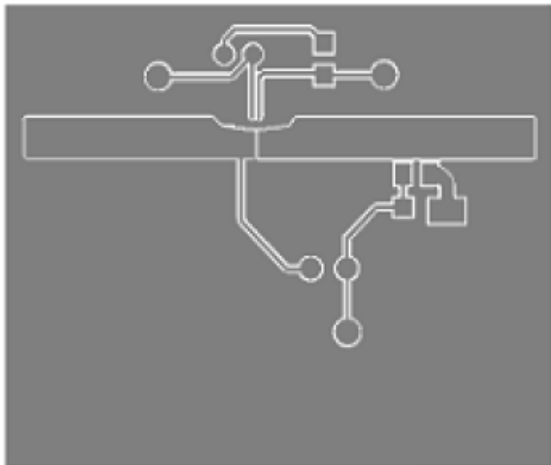


Figure 29. Top Layer

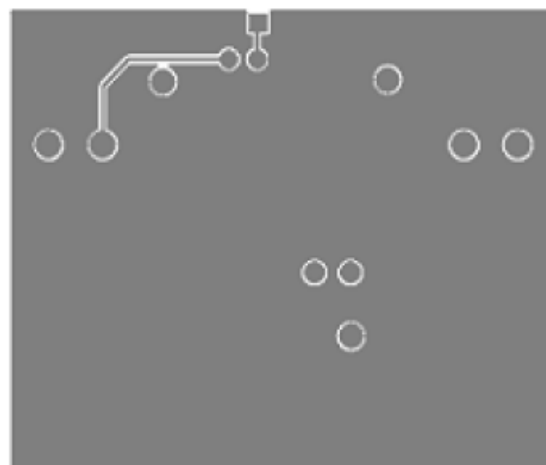


Figure 30. Bottom Layer

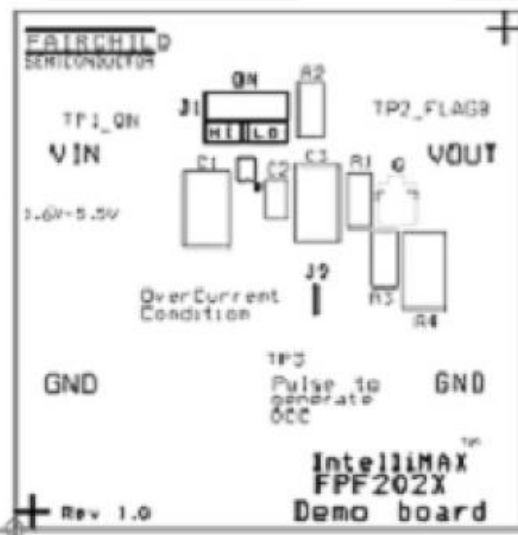


Figure 31. SST

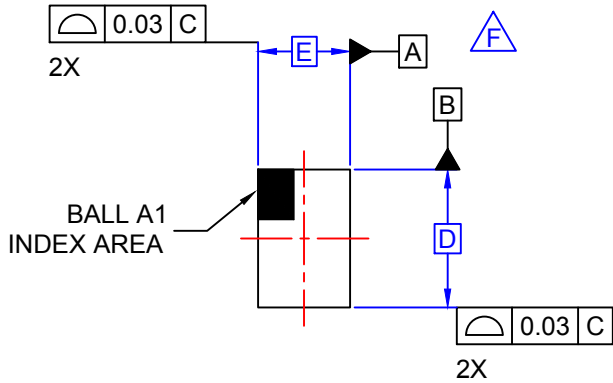


Figure 32. TOP, SST and SMT

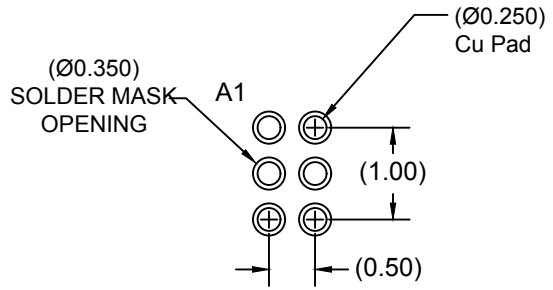
The information below pertains to the WLCSP outline drawing on the following page.

Product Specifications

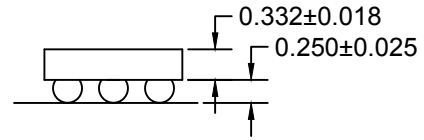
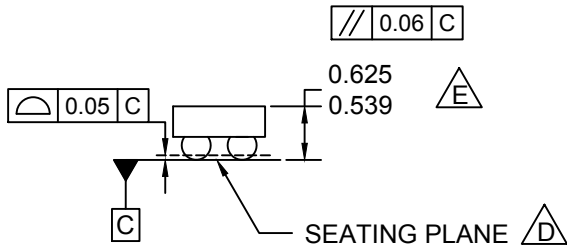
Product	D	E	X	Y
FPF2024/5/6/7	1.500 ±0.030	1.000 ±0.030	0.240	0.240



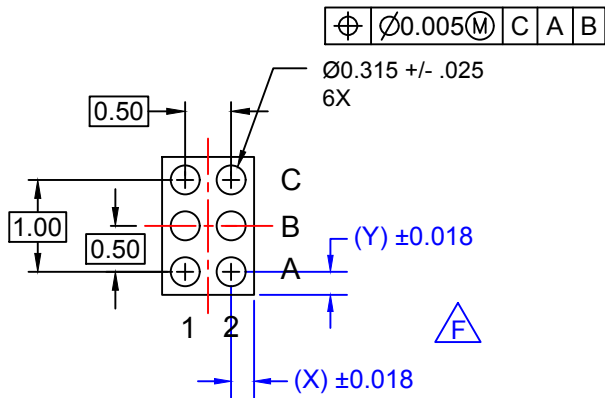
TOP VIEW



RECOMMENDED LAND PATTERN
(NSMD PAD TYPE)



SIDE VIEWS



BOTTOM VIEW

NOTES:

- A. NO JEDEC REGISTRATION APPLIES.
- B. DIMENSIONS ARE IN MILLIMETERS.
- C. DIMENSIONS AND TOLERANCE PER ASMEY14.5M, 1994.
- D. DATUM C IS DEFINED BY THE SPHERICAL CROWNS OF THE BALLS.
- E. PACKAGE NOMINAL HEIGHT IS 582 MICRONS ±43 MICRONS (539-625 MICRONS).
- F. FOR DIMENSIONS D, E, X, AND Y SEE PRODUCT DATASHEET.
- G. DRAWING FILNAME: MKT-UC006AFrev3.





TRADEMARKS

The following includes registered and unregistered trademarks and service marks, owned by Fairchild Semiconductor and/or its global subsidiaries, and is not intended to be an exhaustive list of all such trademarks.

- AccuPower™
- AttitudeEngine™
- Awinda®
- AX-CAP®*
- BitSiC™
- Build it Now™
- CorePLUS™
- CorePOWER™
- CROSSVOL™
- CTL™
- Current Transfer Logic™
- DEUXPEED®
- Dual Cool™
- EcoSPARK®
- EfficientMax™
- ESBC™
- F**™
- Fairchild®
- Fairchild Semiconductor®
- FACT Quiet Series™
- FACT®
- FastvCore™
- FETBench™
- FPS™
- F-PFS™
- FRFET®
- Global Power ResourceSM
- GreenBridge™
- Green FPS™
- Green FPS™ e-Series™
- Gmax™
- GTO™
- IntelliMAX™
- ISOPLANAR™
- Making Small Speakers Sound Louder and Better™
- MegaBuck™
- MICROCOUPLER™
- MicroFET™
- MicroPak™
- MicroPak2™
- MillerDrive™
- MotionMax™
- MotionGrid®
- MTi®
- MTx®
- MVN®
- mWSaver®
- OptoHiT™
- OPTOLOGIC®
- OPTOPLANAR®
- ®
- Power Supply WebDesigner™
- PowerTrench®
- PowerXS™
- Programmable Active Droop™
- QFET®
- QS™
- Quiet Series™
- RapidConfigure™
- ™
- Saving our world, 1mW/W/kW at a time™
- SignalWise™
- SmartMax™
- SMART START™
- Solutions for Your Success™
- SPM®
- STEALTH™
- SuperFET®
- SuperSOT™-3
- SuperSOT™-6
- SuperSOT™-8
- SupreMOS®
- SyncFET™
- Sync-Lock™
- ®
- TinyBoost®
- TinyBuck®
- TinyCalc™
- TinyLogic®
- TINYOPTO™
- TinyPower™
- TinyPWM™
- TinyWire™
- TranSiC™
- TriFault Detect™
- TRUECURRENT®*
- μSerDes™
- ™
- UHC®
- Ultra FRFET™
- UniFET™
- VcX™
- VisualMax™
- VoltagePlus™
- XS™
- Xsens™
- 仙童®

* Trademarks of System General Corporation, used under license by Fairchild Semiconductor.

DISCLAIMER

FAIRCHILD SEMICONDUCTOR RESERVES THE RIGHT TO MAKE CHANGES WITHOUT FURTHER NOTICE TO ANY PRODUCTS HEREIN TO IMPROVE RELIABILITY, FUNCTION, OR DESIGN. TO OBTAIN THE LATEST, MOST UP-TO-DATE DATASHEET AND PRODUCT INFORMATION, VISIT OUR WEBSITE AT [HTTP://WWW.FAIRCHILDSEMI.COM](http://www.fairchildsemi.com). FAIRCHILD DOES NOT ASSUME ANY LIABILITY ARISING OUT OF THE APPLICATION OR USE OF ANY PRODUCT OR CIRCUIT DESCRIBED HEREIN; NEITHER DOES IT CONVEY ANY LICENSE UNDER ITS PATENT RIGHTS, NOR THE RIGHTS OF OTHERS. THESE SPECIFICATIONS DO NOT EXPAND THE TERMS OF FAIRCHILD'S WORLDWIDE TERMS AND CONDITIONS, SPECIFICALLY THE WARRANTY THEREIN, WHICH COVERS THESE PRODUCTS.

AUTHORIZED USE

Unless otherwise specified in this data sheet, this product is a standard commercial product and is not intended for use in applications that require extraordinary levels of quality and reliability. This product may not be used in the following applications, unless specifically approved in writing by a Fairchild officer: (1) automotive or other transportation, (2) military/aerospace, (3) any safety critical application – including life critical medical equipment – where the failure of the Fairchild product reasonably would be expected to result in personal injury, death or property damage. Customer's use of this product is subject to agreement of this Authorized Use policy. In the event of an unauthorized use of Fairchild's product, Fairchild accepts no liability in the event of product failure. In other respects, this product shall be subject to Fairchild's Worldwide Terms and Conditions of Sale, unless a separate agreement has been signed by both Parties.

ANTI-COUNTERFEITING POLICY

Fairchild Semiconductor Corporation's Anti-Counterfeiting Policy. Fairchild's Anti-Counterfeiting Policy is also stated on our external website, www.fairchildsemi.com, under Terms of Use

Counterfeiting of semiconductor parts is a growing problem in the industry. All manufacturers of semiconductor products are experiencing counterfeiting of their parts. Customers who inadvertently purchase counterfeit parts experience many problems such as loss of brand reputation, substandard performance, failed applications, and increased cost of production and manufacturing delays. Fairchild is taking strong measures to protect ourselves and our customers from the proliferation of counterfeit parts. Fairchild strongly encourages customers to purchase Fairchild parts either directly from Fairchild or from Authorized Fairchild Distributors who are listed by country on our web page cited above. Products customers buy either from Fairchild directly or from Authorized Fairchild Distributors are genuine parts, have full traceability, meet Fairchild's quality standards for handling and storage and provide access to Fairchild's full range of up-to-date technical and product information. Fairchild and our Authorized Distributors will stand behind all warranties and will appropriately address any warranty issues that may arise. Fairchild will not provide any warranty coverage or other assistance for parts bought from Unauthorized Sources. Fairchild is committed to combat this global problem and encourage our customers to do their part in stopping this practice by buying direct or from authorized distributors.

PRODUCT STATUS DEFINITIONS

Definition of Terms

Datasheet Identification	Product Status	Definition
Advance Information	Formative / In Design	Datasheet contains the design specifications for product development. Specifications may change in any manner without notice.
Preliminary	First Production	Datasheet contains preliminary data; supplementary data will be published at a later date. Fairchild Semiconductor reserves the right to make changes at any time without notice to improve design.
No Identification Needed	Full Production	Datasheet contains final specifications. Fairchild Semiconductor reserves the right to make changes at any time without notice to improve the design.
Obsolete	Not In Production	Datasheet contains specifications on a product that is discontinued by Fairchild Semiconductor. The datasheet is for reference information only.

Rev. I77

Mouser Electronics

Authorized Distributor

Click to View Pricing, Inventory, Delivery & Lifecycle Information:

[Fairchild Semiconductor:](#)

[FPF2027](#)