

International  
**IR** Rectifier

Integrated Power Hybrid IC for  
Appliance Motor Drive Applications.

**IRAMX16UP60A**  
**iMOTION™ Series**  
**16A, 600V**

### Description

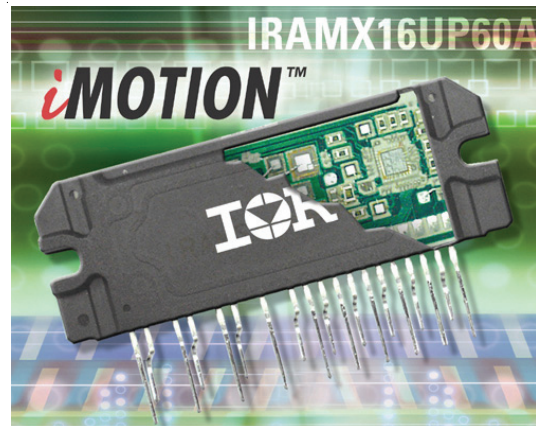
International Rectifier's IRAMX16UP60A is an Integrated Power Module developed and optimized for electronic motor control in appliance applications such as washing machines and variable speed compressor drives for in-room air-conditioning systems and commercial refrigerators. Plug N Drive technology offers an extremely compact, high performance AC motor-driver in a single isolated package for a very simple design. An open emitter configuration of the low side IGBT switches offer easy current feedback and overcurrent monitor for high precision and reliable control.

A built-in temperature monitor and over-current protection, along with the short-circuit rated IGBTs and integrated under-voltage lockout function, deliver high level of protection and fail-safe operation.

The integration of the bootstrap diodes for the high-side driver section, and the single polarity power supply required to drive the internal circuitry, simplify the utilization of the module and deliver further cost reduction advantages.

### Features

- Integrated Gate Drivers and Bootstrap Diodes.
- Temperature Monitor
- Temperature and Overcurrent shutdown
- Fully Isolated Package.
- Low VCE (on) Non Punch Through IGBT Technology.
- Undervoltage lockout for all channels
- Matched propagation delay for all channels
- Low side IGBT emitter pins for current control
- Schmitt-triggered input logic
- Cross-conduction prevention logic
- Lower di/dt gate driver for better noise immunity
- Motor Power range 0.75~2kW / 85~253 Vac
- Isolation 2000V<sub>RMS</sub> min



### Absolute Maximum Ratings

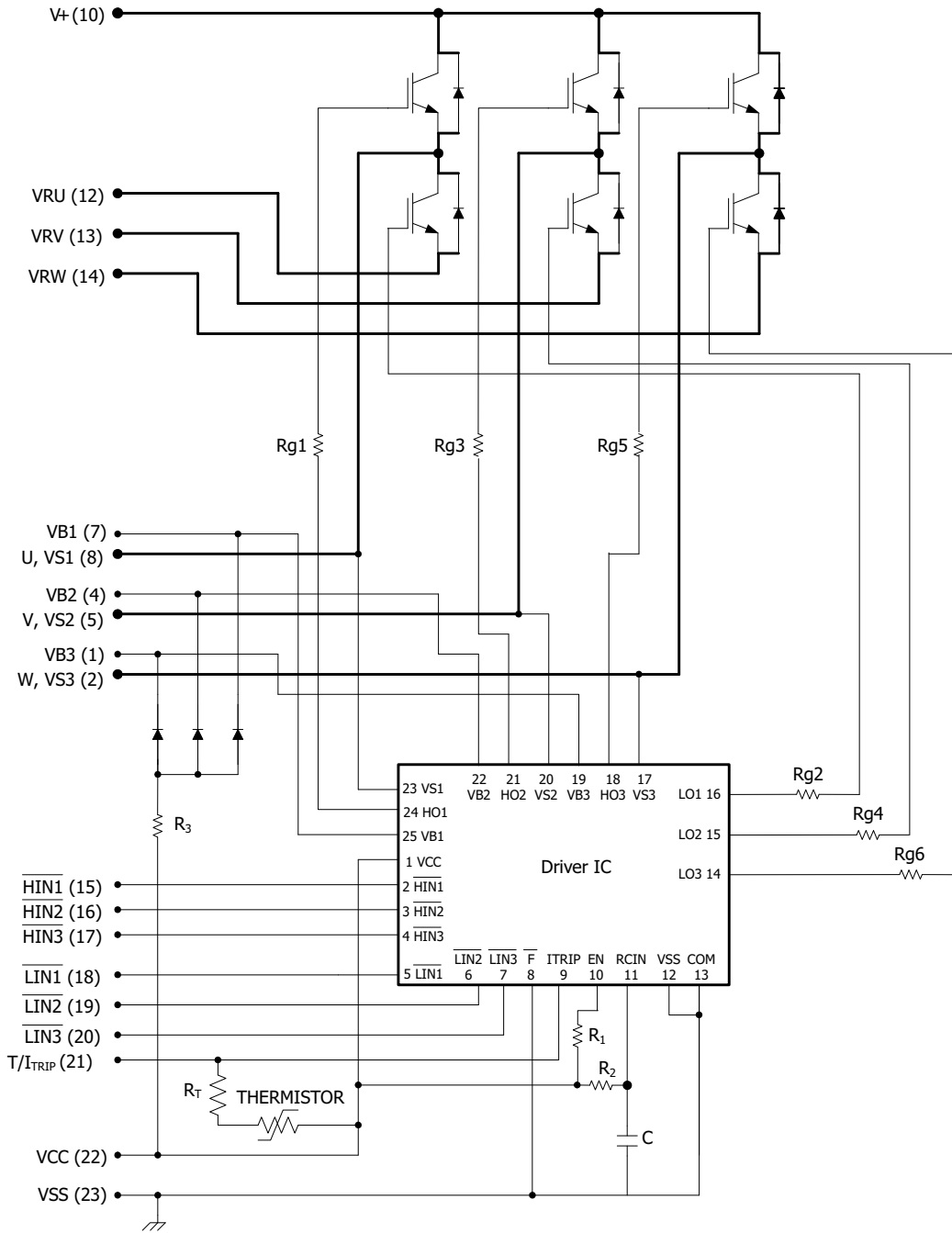
Parameter	Description	Value	Units
$V_{CES} / V_{RRM}$	IGBT/Diode Blocking Voltage	600	V
$V^+$	Positive Bus Input Voltage	450	
$I_O @ T_C=25^\circ\text{C}$	RMS Phase Current (Note 1)	16	A
$I_O @ T_C=100^\circ\text{C}$	RMS Phase Current (Note 1)	8	
$I_O$	Pulsed RMS Phase Current (Note 2)	30	
$F_{PWM}$	PWM Carrier Frequency	20	kHz
$P_D$	Power dissipation per IGBT @ $T_C = 25^\circ\text{C}$	31	W
$V_{ISO}$	Isolation Voltage (1min)	2000	V <sub>RMS</sub>
$T_J$ (IGBT & Diodes)	Operating Junction temperature Range	-40 to +150	°C
$T_J$ (Driver IC)	Operating Junction temperature Range	-40 to +150	
T	Mounting torque Range (M3 screw)	0.5 to 1.0	Nm

Note 1: Sinusoidal Modulation at  $V^+ = 400\text{V}$ ,  $T_J = 150^\circ\text{C}$ ,  $F_{PWM} = 16\text{kHz}$ , Modulation Depth=0.8, PF=0.6, See Figure 3.

Note 2:  $t_p < 100\text{ms}$ ;  $T_C = 25^\circ\text{C}$ ;  $F_{PWM} = 16\text{kHz}$ . Limited by  $I_{BUS-ITRIP}$ , see Table "Inverter Section Electrical Characteristics"

# IRAMX16UP60A

## Internal Electrical Schematic - IRAMX16UP60A



## Absolute Maximum Ratings (Continued)

All voltages are absolute referenced to COM

Symbol	Parameter	Min	Max	Units	Conditions
$I_{BDF}$	Bootstrap Diode Peak Forward Current	---	4.5	A	$t_p = 10\text{ms}$ , $T_J = 150^\circ\text{C}$ , $T_C = 100^\circ\text{C}$
$P_{BR \text{ Peak}}$	Bootstrap Resistor Peak Power (Single Pulse)	---	25.0	W	$t_p = 100\mu\text{s}$ , $T_C = 100^\circ\text{C}$ ESR / ERJ series
$V_{S1,2,3}$	High side floating supply offset voltage	$V_{B1,2,3} - 25$	$V_{B1,2,3} + 0.3$	V	
$V_{B1,2,3}$	High side floating supply voltage	-0.3	600	V	
$V_{CC}$	Low Side and logic fixed supply voltage	-0.3	20	V	
$V_{IN}, V_{EN}$	Input voltage LIN, HIN, EN	-0.3	Lower of ( $V_{SS} + 15\text{V}$ ) or $V_{CC} + 0.3\text{V}$	V	

## Inverter Section Electrical Characteristics @ $T_J = 25^\circ\text{C}$

Symbol	Parameter	Min	Typ	Max	Units	Conditions
$V_{(BR)CES}$	Collector-to-Emitter Breakdown Voltage	600	---	---	V	$V_{IN} = 5\text{V}$ , $I_C = 250\mu\text{A}$
$\Delta V_{(BR)CES} / \Delta T$	Temperature Coeff. Of Breakdown Voltage	---	0.3	---	V/ $^\circ\text{C}$	$V_{IN} = 5\text{V}$ , $I_C = 1.0\text{mA}$ ( $25^\circ\text{C} - 150^\circ\text{C}$ )
$V_{CE(ON)}$	Collector-to-Emitter Saturation Voltage	---	1.55	1.85	V	$I_C = 8\text{A}$ , $V_{CC} = 15\text{V}$
		---	1.80	2.10		$I_C = 8\text{A}$ , $V_{CC} = 15\text{V}$ , $T_J = 150^\circ\text{C}$
$I_{CES}$	Zero Gate Voltage Collector Current	---	5	80	$\mu\text{A}$	$V_{IN} = 5\text{V}$ , $V^+ = 600\text{V}$
		---	165	---		$V_{IN} = 5\text{V}$ , $V^+ = 600\text{V}$ , $T_J = 150^\circ\text{C}$
$V_{FM}$	Diode Forward Voltage Drop	---	2.0	2.4	V	$I_C = 8\text{A}$
		---	1.4	1.9		$I_C = 8\text{A}$ , $T_J = 150^\circ\text{C}$
$V_{BDFM}$	Bootstrap Diode Forward Voltage Drop	--	--	1.25	V	$I_F = 1\text{A}$
		---	---	1.10		$I_F = 1\text{A}$ , $T_J = 125^\circ\text{C}$
$R_{BR}$	Bootstrap Resistor Value	---	22	---	$\Omega$	$T_J = 25^\circ\text{C}$
$\Delta R_{BR} / R_{BR}$	Bootstrap Resistor Tolerance	---	---	$\pm 5$	%	$T_J = 25^\circ\text{C}$

## Inverter Section Switching Characteristics @ $T_J = 25^\circ\text{C}$

Symbol	Parameter	Min	Typ	Max	Units	Conditions
$E_{ON}$	Turn-On Switching Loss	---	315	435	$\mu\text{J}$	$I_C=8\text{A}$ , $V^+=400\text{V}$ $V_{CC}=15\text{V}$ , $L=2\text{mH}$ Energy losses include "tail" and diode reverse recovery
$E_{OFF}$	Turn-Off Switching Loss	---	150	180		
$E_{TOT}$	Total Switching Loss	---	465	615		
$E_{REC}$	Diode Reverse Recovery energy	---	30	60		
$t_{RR}$	Diode Reverse Recovery time	---	70	90	ns	See CT1
$E_{ON}$	Turn-on Switching Loss	---	500	700	$\mu\text{J}$	$I_C=8\text{A}$ , $V^+=400\text{V}$ $V_{CC}=15\text{V}$ , $L=2\text{mH}$ , $T_J=150^\circ\text{C}$ Energy losses include "tail" and diode reverse recovery
$E_{OFF}$	Turn-off Switching Loss	---	270	335		
$E_{TOT}$	Total Switching Loss	---	770	1035		
$E_{REC}$	Diode Reverse Recovery energy	---	60	100		
$t_{RR}$	Diode Reverse Recovery time	---	120	150	ns	See CT1
$Q_G$	Turn-On IGBT Gate Charge	---	56	84	nC	$I_C=15\text{A}$ , $V^+=400\text{V}$ , $V_{GE}=15\text{V}$
RBSOA	Reverse Bias Safe Operating Area	FULL SQUARE				$T_J=150^\circ\text{C}$ , $I_C=45\text{A}$ , $V_P=600\text{V}$ $V^+=450\text{V}$ $V_{CC}=+15\text{V}$ to $0\text{V}$ See CT3
SCSOA	Short Circuit Safe Operating Area	10	---	---	$\mu\text{s}$	$T_J=150^\circ\text{C}$ , $V_P=600\text{V}$ , $V^+=360\text{V}$ , $V_{CC}=+15\text{V}$ to $0\text{V}$ See CT2
$I_{CSC}$	Short Circuit Collector Current	---	140	---	A	$T_J=150^\circ\text{C}$ , $V_P=600\text{V}$ , $t_{SC}<10\mu\text{s}$ $V^+=360\text{V}$ , $V_{GE}=15\text{V}$ $V_{CC}=+15\text{V}$ to $0\text{V}$ See CT2

## Recommended Operating Conditions Driver Function

The Input/Output logic timing diagram is shown in Figure 1. For proper operation the device should be used within the recommended conditions. All voltages are absolute referenced to COM. The  $V_S$  offset is tested with all supplies biased at 15V differential (Note 3)

Symbol	Definition	Min	Max	Units
$V_{B1,2,3}$	High side floating supply voltage	$V_S+12$	$V_S+20$	V
$V_{S1,2,3}$	High side floating supply offset voltage	Note 4	450	
$V_{CC}$	Low side and logic fixed supply voltage	12	20	V
$V_{T/ITRIP}$	$T/I_{TRIP}$ input voltage	$V_{SS}$	$V_{SS}+5$	
$V_{IN}$	Logic input voltage LIN, HIN	$V_{SS}$	$V_{SS}+5$	V

Note 3: For more details, see IR21365 data sheet

Note 4: Logic operational for  $V_S$  from COM-5V to COM+600V. Logic state held for  $V_S$  from COM-5V to COM- $V_{BS}$ . (please refer to DT97-3 for more details)

## Static Electrical Characteristics Driver Function

$V_{BIAS}$  ( $V_{CC}$ ,  $V_{BS1,2,3}$ )=15V, unless otherwise specified. The  $V_{IN}$  and  $I_{IN}$  parameters are referenced to COM and are applicable to all six channels. (Note 3)

Symbol	Definition	Min	Typ	Max	Units
$V_{IH}$	Logic "0" input voltage	3.0	---	---	V
$V_{IL}$	Logic "1" input voltage	---	---	0.8	V
$V_{CCUV+}$ , $V_{BSUV+}$	$V_{CC}$ and $V_{BS}$ supply undervoltage Positive going threshold	10.6	11.1	11.6	V
$V_{CCUV-}$ , $V_{BSUV-}$	$V_{CC}$ and $V_{BS}$ supply undervoltage Negative going threshold	10.4	10.9	11.4	V
$V_{CCUVH}$ , $V_{BSUVH}$	$V_{CC}$ and $V_{BS}$ supply undervoltage lock-out hysteresis	---	0.2	---	V
$V_{IN, Clamp}$	Input Clamp Voltage (HIN, LIN, T/I <sub>TRIP</sub> ) $I_{IN}=10\mu A$	4.9	5.2	5.5	V
$I_{QBS}$	Quiescent $V_{BS}$ supply current $V_{IN}=0V$	---	---	165	$\mu A$
$I_{QCC}$	Quiescent $V_{CC}$ supply current $V_{IN}=0V$	---	---	3.35	mA
$I_{LK}$	Offset Supply Leakage Current	---	---	60	$\mu A$
$I_{IN+}$	Input bias current $V_{IN}=5V$	---	200	300	$\mu A$
$I_{IN-}$	Input bias current $V_{IN}=0V$	---	100	220	$\mu A$
$T/I_{TRIP+}$	T/I <sub>TRIP</sub> bias current $V_{ITRIP}=5V$	---	30	100	$\mu A$
$T/I_{TRIP-}$	T/I <sub>TRIP</sub> bias current $V_{ITRIP}=0V$	---	0	1	$\mu A$
$V(T/I_{TRIP})$	T/I <sub>TRIP</sub> threshold Voltage	3.85	4.30	4.75	V
$V(T/I_{TRIP}, HYS)$	T/I <sub>TRIP</sub> Input Hysteresis	---	0.07	---	V

## Dynamic Electrical Characteristics

Driver only timing unless otherwise specified.

Symbol	Parameter	Min	Typ	Max	Units	Conditions
$T_{ON}$	Input to Output propagation turn-on delay time (see fig.11)	---	590	---	ns	$V_{CC}=V_{BS}= 15V$ , $I_C=8A$ , $V^+=400V$
$T_{OFF}$	Input to Output propagation turn-off delay time (see fig. 11)	---	660	---	ns	
$T_{FLIN}$	Input Filter time (HIN, LIN)	100	200	---	ns	$V_{IN}=0$ & $V_{IN}=5V$
$T_{BLT-Trip}$	$I_{TRIP}$ Blanking Time	100	150	---	ns	$V_{IN}=0$ & $V_{IN}=5V$
$D_T$	Dead Time ( $V_{BS}=V_{DD}=15V$ )	220	290	360	ns	$V_{BS}=V_{CC}=15V$
$M_T$	Matching Propagation Delay Time (On & Off)	---	40	75	ns	$V_{CC}= V_{BS}= 15V$ , external dead time > 400ns
$T_{ITrip}$	$I_{Trip}$ to six switch to turn-off propagation delay (see fig. 2)	---	---	1.75	$\mu s$	$V_{CC}=V_{BS}= 15V$ , $I_C=8A$ , $V^+=400V$
$T_{FLT-CLR}$	Post $I_{Trip}$ to six switch to turn-off clear time (see fig. 2)	---	7.7	---	ms	$T_C = 25^\circ C$
		---	6.7	---		$T_C = 100^\circ C$

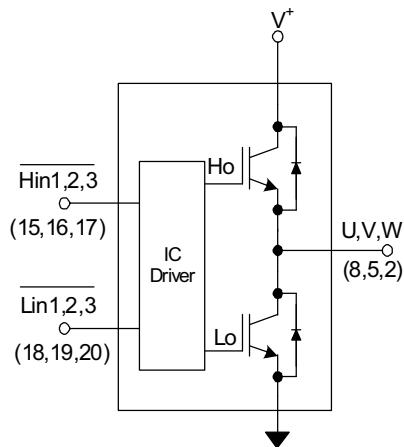
## Thermal and Mechanical Characteristics

Symbol	Parameter	Min	Typ	Max	Units	Conditions
$R_{th(J-C)}$	Thermal resistance, per IGBT	---	3.5	4.0	°C/W	Flat, greased surface. Heatsink compound thermal conductivity 1W/mK
$R_{th(J-C)}$	Thermal resistance, per Diode	---	5.0	5.5		
$R_{th(C-S)}$	Thermal resistance, C-S	---	0.1	---		
$C_D$	Creepage Distance	3.2	---	---	mm	See outline Drawings

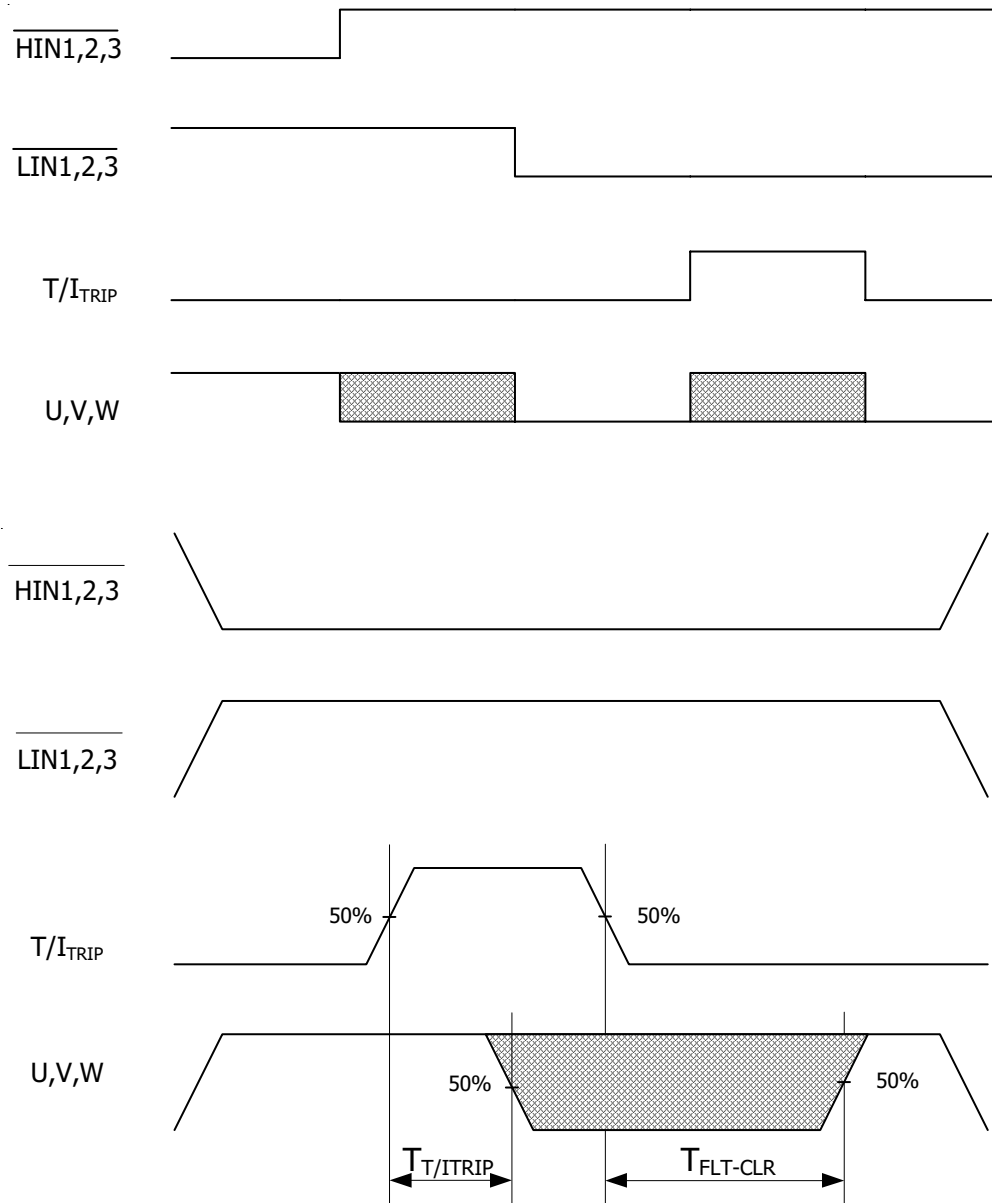
## Internal NTC - Thermistor Characteristics

Parameter	Definition	Min	Typ	Max	Units	Conditions
$R_{25}$	Resistance	97	100	103	k $\Omega$	$T_C = 25^\circ\text{C}$
$R_{125}$	Resistance	2.25	2.52	2.80	k $\Omega$	$T_C = 125^\circ\text{C}$
B	B-constant (25-50°C)	4165	4250	4335	k	$R_2 = R_1 e^{[B(1/T_2 - 1/T_1)]}$
Temperature Range		-40		125	°C	
Typ. Dissipation constant			1		mW/°C	$T_C = 25^\circ\text{C}$

## Input-Output Logic Level Table



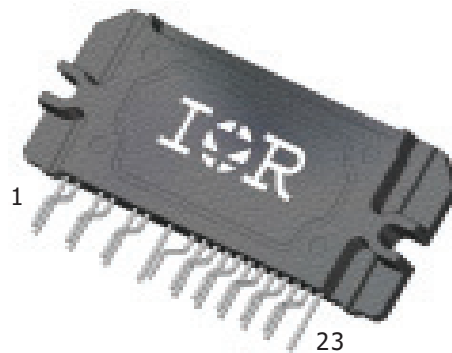
FLT- EN	$I_{TRIP}$	$\overline{HIN1,2,3}$	$\overline{LIN1,2,3}$	U,V,W
1	0	0	1	$V^+$
1	0	1	0	0
1	0	1	1	Off
1	1	X	X	Off
0	X	X	X	Off



Note 5: The shaded area indicates that both high-side and low-side switches are off and therefore the half-bridge output voltage would be determined by the direction of current flow in the load.

## Module Pin-Out Description

Pin	Name	Description
1	$V_{B3}$	High Side Floating Supply Voltage 3
2	$W, V_{S3}$	Output 3 - High Side Floating Supply Offset Voltage
3	NA	none
4	$V_{B2}$	High Side Floating Supply voltage 2
5	$V, V_{S2}$	Output 2 - High Side Floating Supply Offset Voltage
6	NA	none
7	$V_{B1}$	High Side Floating Supply voltage 1
8	$U, V_{S1}$	Output 1 - High Side Floating Supply Offset Voltage
9	NA	none
10	$V^+$	Positive Bus Input Voltage
11	NA	none
12	$L_{E1}$	Low Side Emitter Connection - Phase 1
13	$L_{E2}$	Low Side Emitter Connection - Phase 2
14	$L_{E3}$	Low Side Emitter Connection - Phase 3
15	$\overline{H}_{IN1}$	Logic Input High Side Gate Driver - Phase 1
16	$\overline{H}_{IN2}$	Logic Input High Side Gate Driver - Phase 2
17	$\overline{H}_{IN3}$	Logic Input High Side Gate Driver - Phase 3
18	$\overline{L}_{IN1}$	Logic Input Low Side Gate Driver - Phase 1
19	$\overline{L}_{IN2}$	Logic Input Low Side Gate Driver - Phase 2
20	$\overline{L}_{IN3}$	Logic Input Low Side Gate Driver - Phase 3
21	$T/I_{TRIP}$	Temperature Monitor and Shut-down Pin
22	$V_{CC}$	+15V Main Supply
23	$V_{SS}$	Negative Main Supply







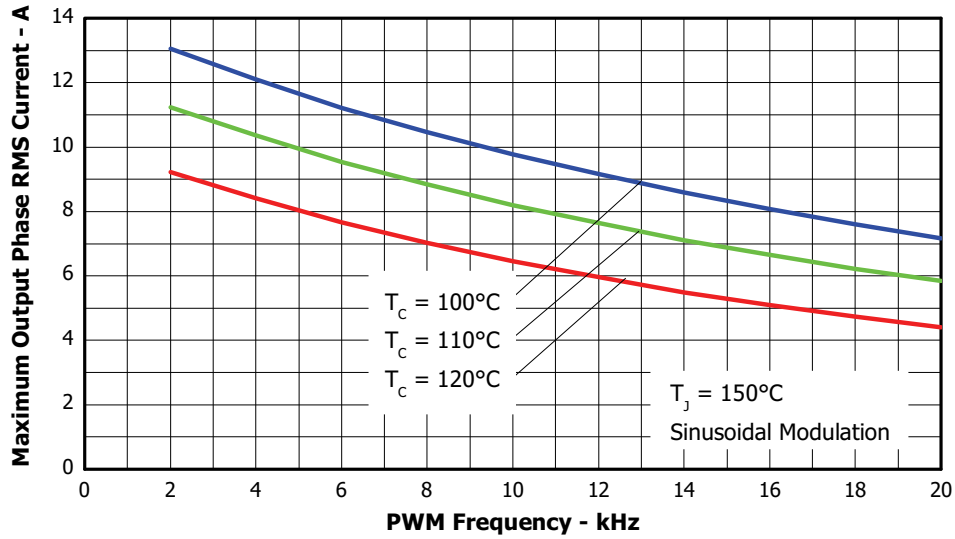


Figure 3. Maximum Sinusoidal Phase Current vs. PWM Switching Frequency  
 $V^+ = 400\text{V}$ ,  $T_j = 150^\circ\text{C}$ , Modulation Depth=0.8, PF=0.6

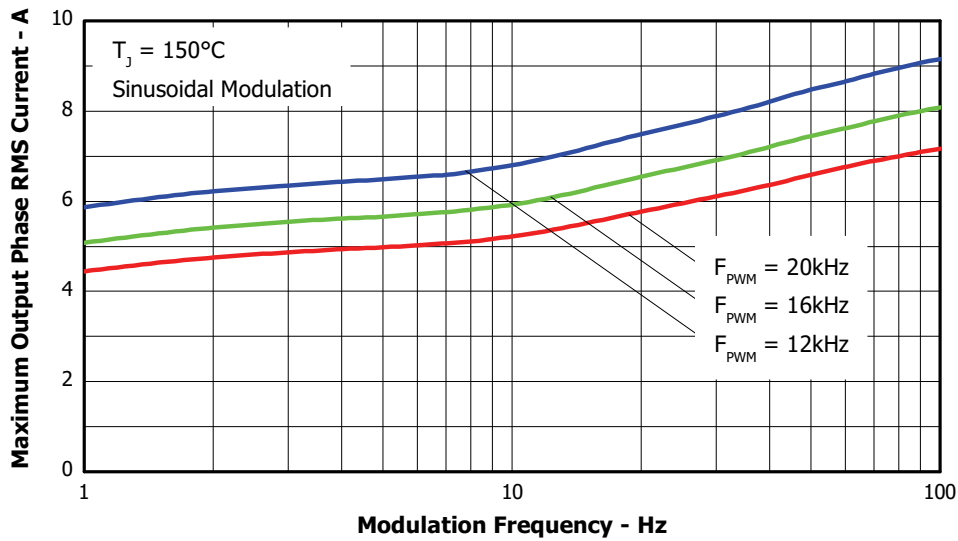


Figure 4. Maximum Sinusoidal Phase Current vs. Modulation Frequency  
 $V^+ = 400\text{V}$ ,  $T_j = 150^\circ\text{C}$ ,  $T_c = 100^\circ\text{C}$ , Modulation Depth=0.8, PF=0.6

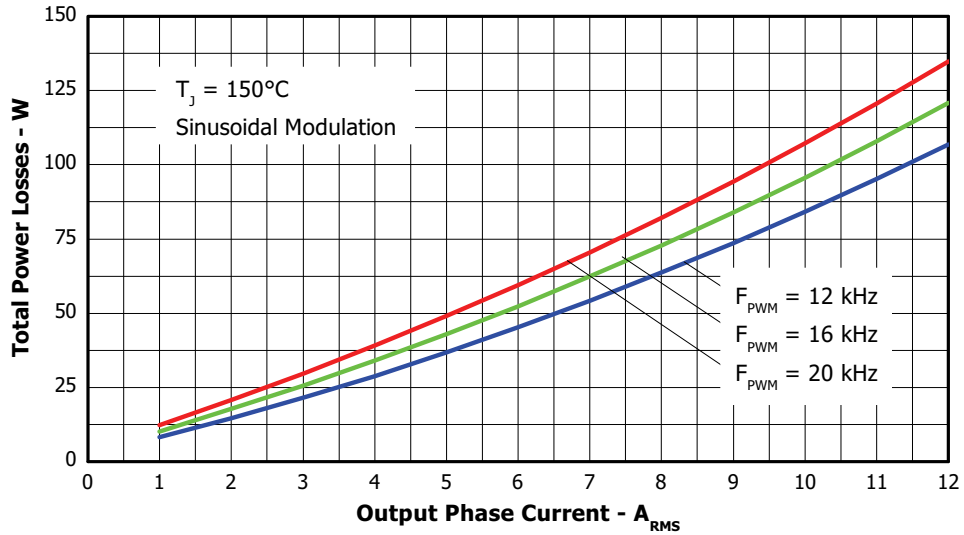


Figure 5. Total Power Losses vs. PWM Switching Frequency, Sinusoidal modulation  
 $V^+ = 400V$ ,  $T_J = 150^\circ C$ , Modulation Depth=0.8, PF=0.6

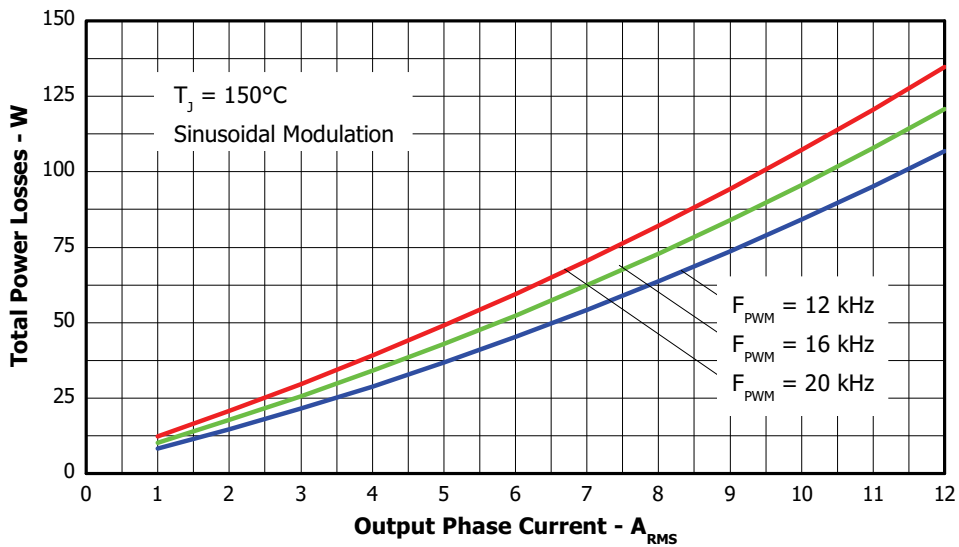


Figure 6. Total Power Losses vs. Output Phase Current, Sinusoidal modulation  
 $V_{BUS} = 400V$ ,  $T_J = 150^\circ C$ , Modulation Depth=0.8, PF=0.6

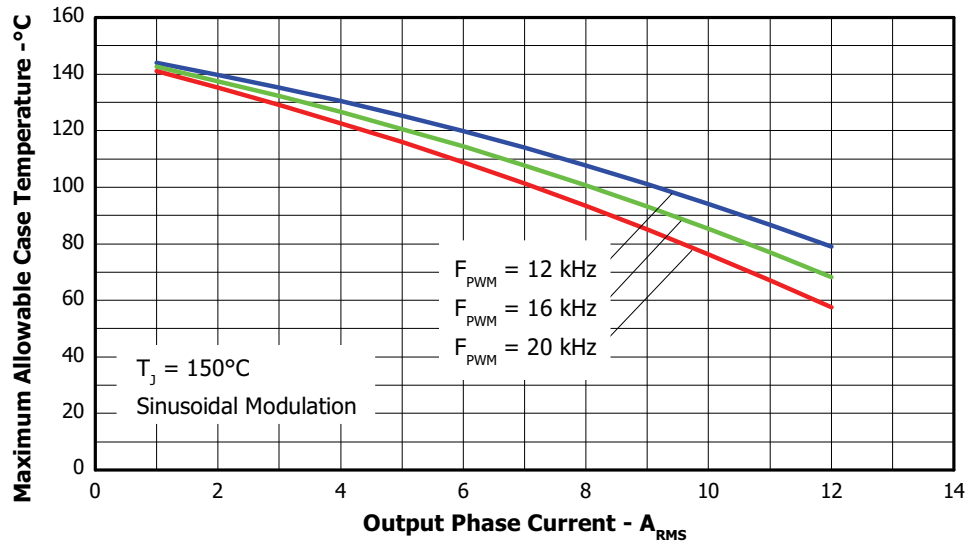


Figure 7. Maximum Allowable Case temperature vs. Output RMS Current per Phase

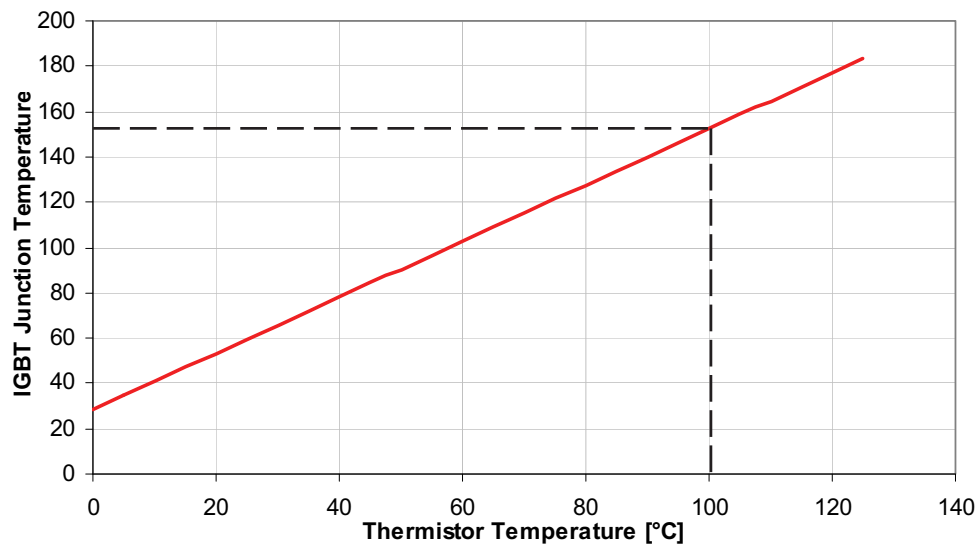


Figure 8. Estimated Maximum IGBT Junction Temperature vs. Thermistor Temperature

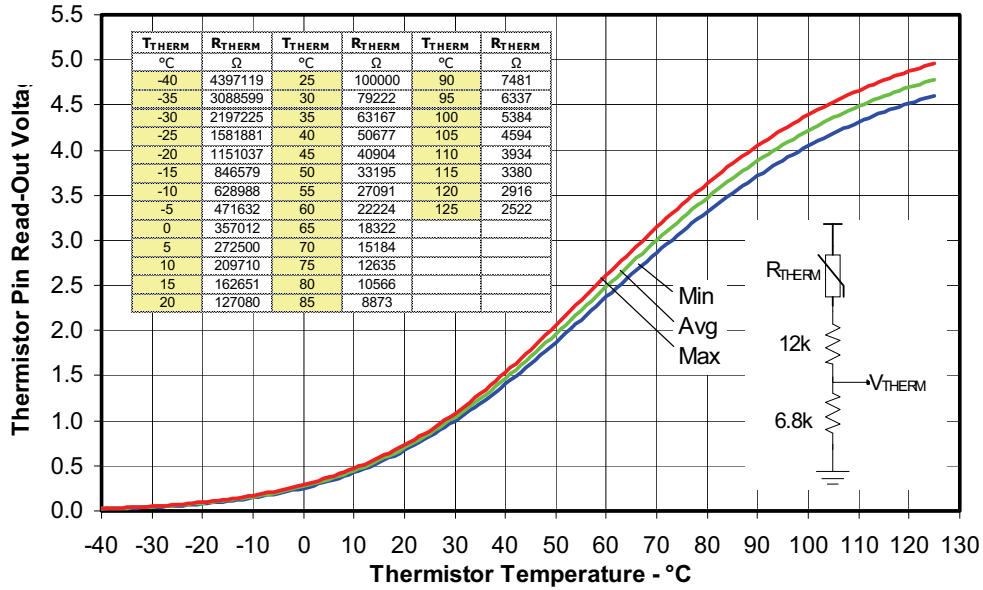


Figure 9. Thermistor Readout vs. Temperature (6.8kohm, 1% pull down resistor) and Nominal Thermistor Resistance values vs. Temperature Table.

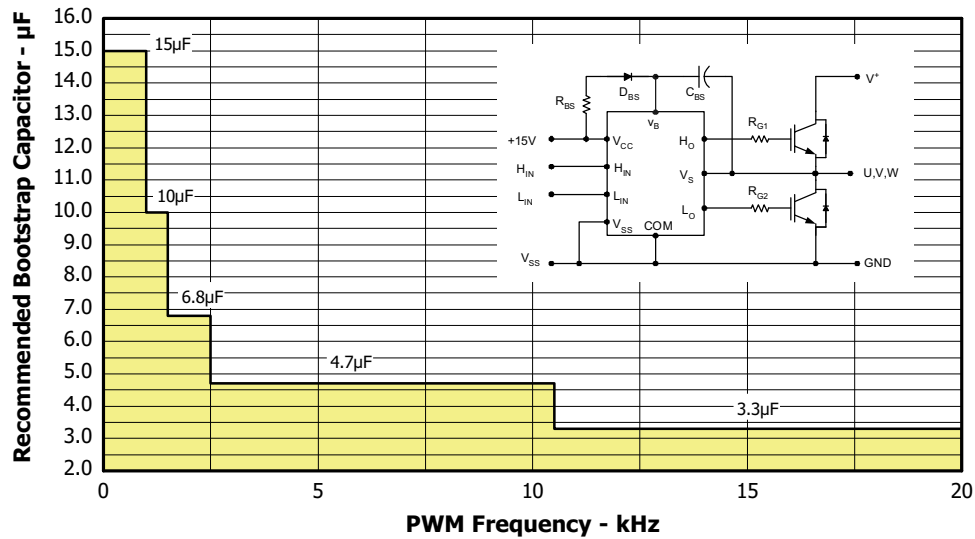


Figure 10. Recommended Bootstrap Capacitor Value vs. Switching Frequency

Figure 11. Switching Parameter Definitions

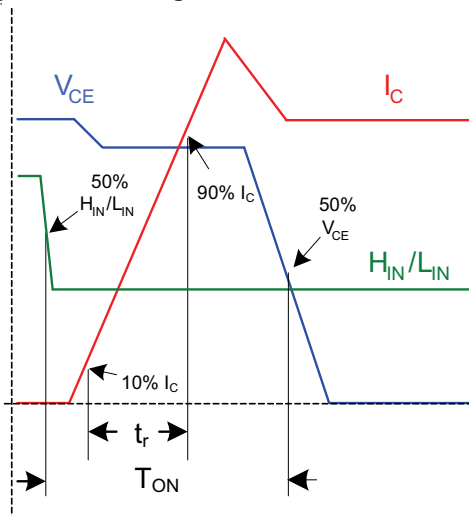


Figure 11a. Input to Output Propagation turn-on Delay Time

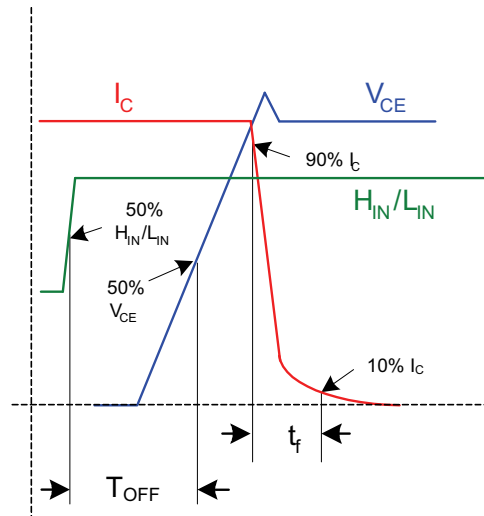


Figure 11b. Input to Output Propagation turn-off Delay Time

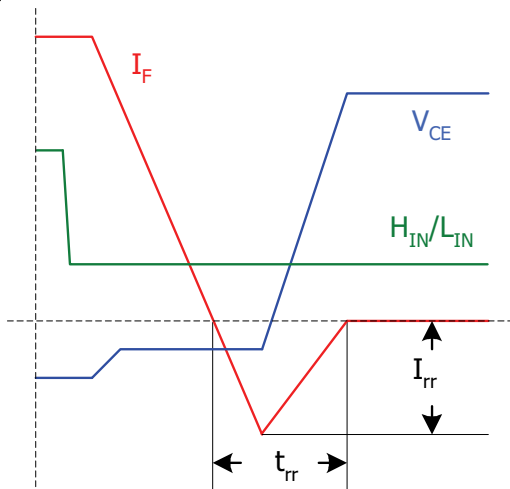


Figure 11c. Diode Reverse Recovery

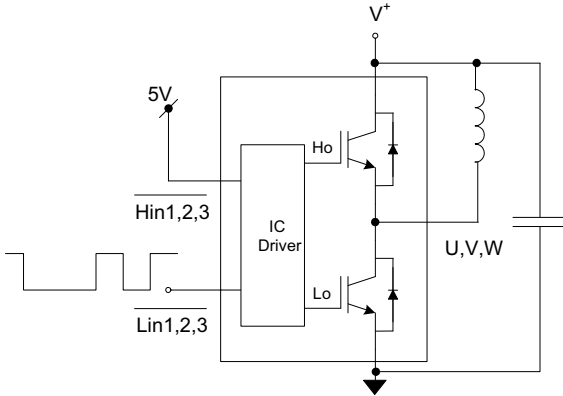


Figure CT1. Switching Loss Circuit

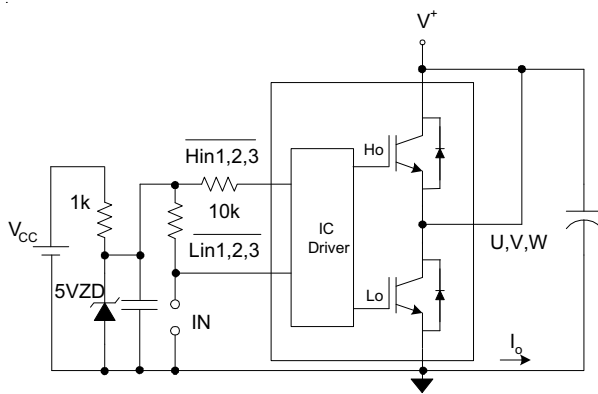
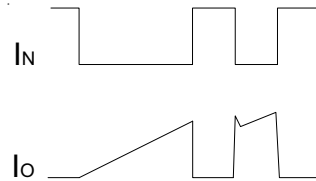


Figure CT2. S.C.SOA Circuit

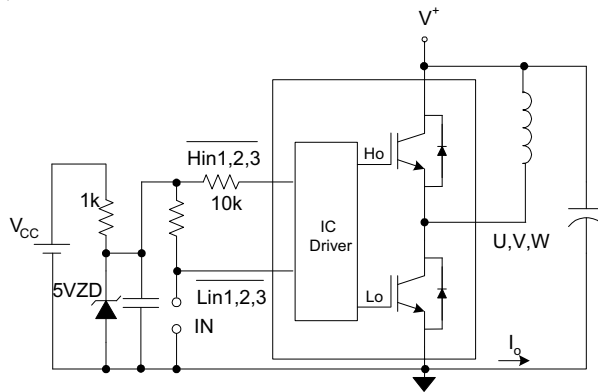
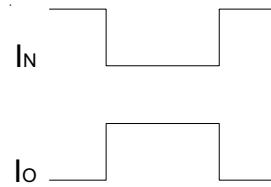
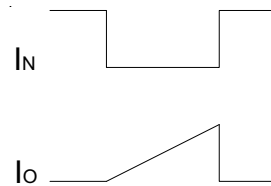


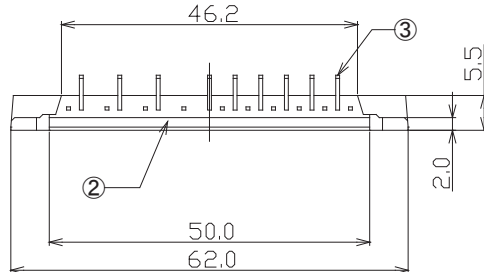
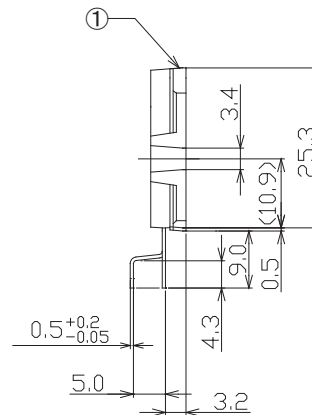
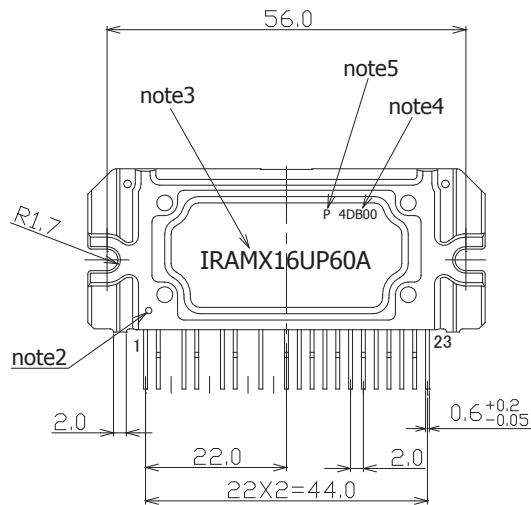
Figure CT3. R.B.SOA Circuit



# IRAMX16UP60A

## Package Outline IRAMX16UP60A

missing pin : 3,6,9,11

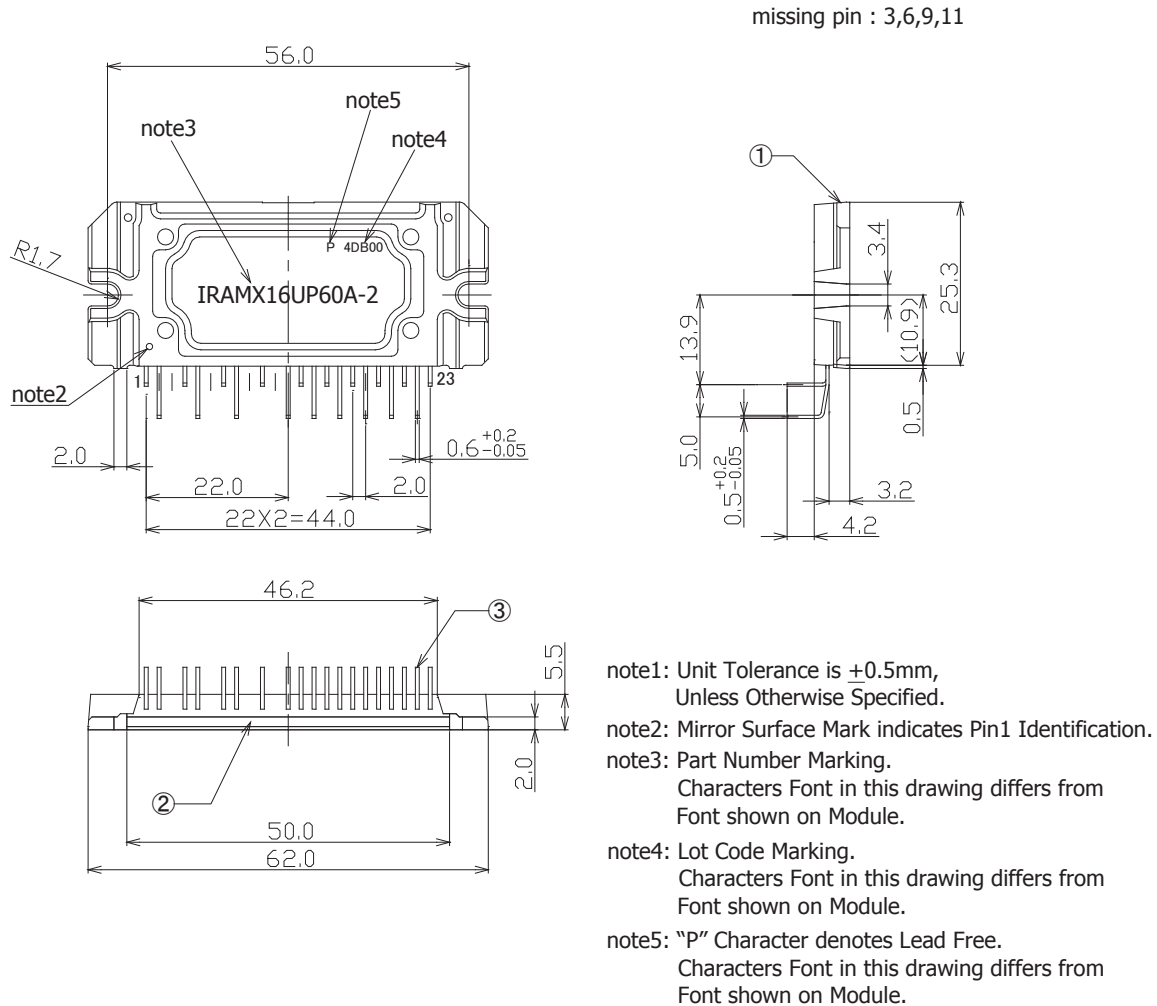


- note1: Unit Tolerance is  $\pm 0.5$ mm, Unless Otherwise Specified.
- note2: Mirror Surface Mark indicates Pin1 Identification.
- note3: Part Number Marking. Characters Font in this drawing differs from Font shown on Module.
- note4: Lot Code Marking. Characters Font in this drawing differs from Font shown on Module.
- note5: "P" Character denotes Lead Free. Characters Font in this drawing differs from Font shown on Module.

Dimensions in mm  
 For mounting instruction see AN-1049



## Package Outline IRAMX16UP60A-2



Dimensions in mm  
 For mounting instruction see AN-1049

# Mouser Electronics

Authorized Distributor

Click to View Pricing, Inventory, Delivery & Lifecycle Information:

[International Rectifier:](#)

[IRAMX16UP60A](#) [IRAMX16UP60A-2](#)