

## Automotive-grade P-channel -40 V, 12 mΩ typ., -50 A STripFET™ F6 Power MOSFET in a DPAK package

Datasheet - production data

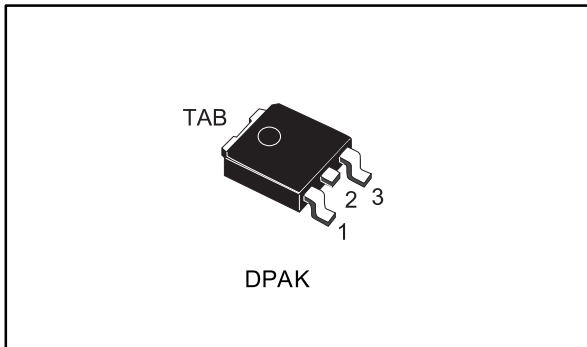
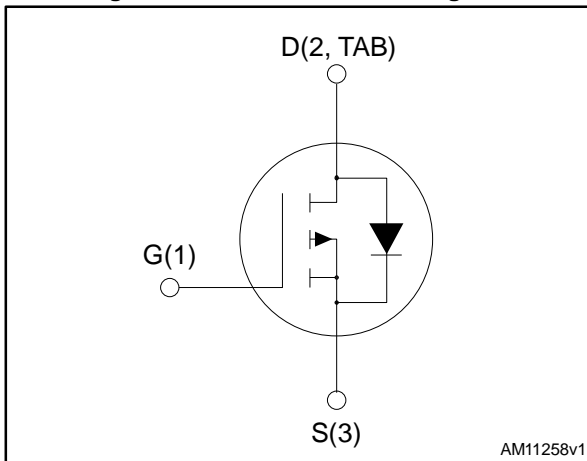


Figure 1: Internal schematic diagram



### Features

Order code	V <sub>DS</sub>	R <sub>DS(on)</sub> max.	I <sub>D</sub>
STD45P4LLF6AG	-40 V	15 mΩ	-50 A

- Designed for automotive applications and AEC-Q101 qualified
- Very low on-resistance
- Very low gate charge
- High avalanche ruggedness
- Low gate drive power loss

### Applications

- Switching applications

### Description

This device is a P-channel Power MOSFET developed using the STripFET™ F6 technology, with a new trench gate structure. The resulting Power MOSFET exhibits very low R<sub>DS(on)</sub> in all packages.

Table 1: Device summary

Order code	Marking	Package	Packing
STD45P4LLF6AG	45P4LLF6	DPAK	Tape and reel

---

## Contents

<b>1</b>	<b>Electrical ratings .....</b>	<b>3</b>
<b>2</b>	<b>Electrical characteristics .....</b>	<b>4</b>
	2.1 Electrical characteristics (curves).....	6
<b>3</b>	<b>Test circuits .....</b>	<b>8</b>
<b>4</b>	<b>Package information .....</b>	<b>9</b>
	4.1 DPAK (TO-252) type A2 package information.....	10
	4.2 DPAK (TO-252) packing information.....	13
<b>5</b>	<b>Revision history .....</b>	<b>15</b>

# 1 Electrical ratings

**Table 2: Absolute maximum ratings**

Symbol	Parameter	Value	Unit
$V_{DS}$	Drain-source voltage	-40	V
$V_{GS}$	Gate-source voltage	$\pm 18$ V	V
$I_D$	Drain current (continuous) at $T_{case} = 25\text{ }^\circ\text{C}$	-50	A
	Drain current (continuous) at $T_{case} = 100\text{ }^\circ\text{C}$	-31	
$I_{DM}^{(1)}$	Drain current (pulsed)	-200	A
$P_{TOT}$	Total dissipation at $T_{case} = 25\text{ }^\circ\text{C}$	58	W
$E_{AS}^{(2)}$	Single pulse avalanche energy	160	mJ
$T_{stg}$	Storage temperature	-55 to 150	$^\circ\text{C}$
$T_j^{(3)}$	Operating junction temperature		

**Notes:**

- (1) Pulse width is limited by safe operating area.  
 (2) starting  $T_j = 25\text{ }^\circ\text{C}$ ,  $R_G = 47\ \Omega$ ,  $I_{D(min)} = -25\text{ A}$ .  
 (3) HTRB performed at  $T_j = 175\text{ }^\circ\text{C}$ ,  $V_{DS} = 100\% V_{(BR)DSS}$ .

**Table 3: Thermal data**

Symbol	Parameter	Value	Unit
$R_{thj-case}$	Thermal resistance junction-case	2.14	$^\circ\text{C/W}$
$R_{thj-amb}$	Thermal resistance junction-ambient	50	

## 2 Electrical characteristics

( $T_{\text{case}} = 25\text{ °C}$  unless otherwise specified)

**Table 4: Static**

Symbol	Parameter	Test conditions	Min.	Typ.	Max.	Unit
$V_{(\text{BR})\text{DSS}}$	Drain-source breakdown voltage	$V_{\text{GS}} = 0\text{ V}$ , $I_{\text{D}} = -250\text{ }\mu\text{A}$	-40			V
$I_{\text{DSS}}$	Zero gate voltage drain current	$V_{\text{GS}} = 0\text{ V}$ , $V_{\text{DS}} = -40\text{ V}$			-1	$\mu\text{A}$
		$V_{\text{GS}} = 0\text{ V}$ , $V_{\text{DS}} = -40\text{ V}$ , $T_{\text{case}} = 125\text{ °C}$			-10	
$I_{\text{GSS}}$	Gate-body leakage current	$V_{\text{DS}} = 0\text{ V}$ , $V_{\text{GS}} = -18\text{ V}$			-100	nA
$V_{\text{GS}(\text{th})}$	Gate threshold voltage	$V_{\text{DS}} = V_{\text{GS}}$ , $I_{\text{D}} = -250\text{ }\mu\text{A}$	-1		-2.5	V
$R_{\text{DS}(\text{on})}$	Static drain-source on-resistance	$V_{\text{GS}} = -10\text{ V}$ , $I_{\text{D}} = -25\text{ A}$		12	15	m $\Omega$
		$V_{\text{GS}} = -4.5\text{ V}$ , $I_{\text{D}} = -25\text{ A}$		17	20	

**Table 5: Dynamic**

Symbol	Parameter	Test conditions	Min.	Typ.	Max.	Unit
$C_{\text{ISS}}$	Input capacitance	$V_{\text{DS}} = -25\text{ V}$ , $f = 1\text{ MHz}$ , $V_{\text{GS}} = 0\text{ V}$	-	3525	-	$\mu\text{F}$
$C_{\text{OSS}}$	Output capacitance		-	345	-	
$C_{\text{RSS}}$	Reverse transfer capacitance		-	240	-	
$Q_{\text{g}}$	Total gate charge	$V_{\text{DD}} = -20\text{ V}$ , $I_{\text{D}} = -50\text{ A}$ , $V_{\text{GS}} = -10\text{ V}$ (see <a href="#">Figure 14</a> : "Gate charge test circuit")	-	65.5	-	nC
$Q_{\text{gs}}$	Gate-source charge		-	11.5	-	
$Q_{\text{gd}}$	Gate-drain charge		-	13	-	

**Table 6: Switching times**

Symbol	Parameter	Test conditions	Min.	Typ.	Max.	Unit
$t_{\text{d}(\text{on})}$	Turn-on delay time	$V_{\text{DD}} = -20\text{ V}$ , $I_{\text{D}} = -25\text{ A}$ $R_{\text{G}} = 4.7\text{ }\Omega$ , $V_{\text{GS}} = -10\text{ V}$ (see <a href="#">Figure 13</a> : "Switching times test circuit for resistive load" )	-	12	-	ns
$t_{\text{r}}$	Rise time		-	35.5	-	
$t_{\text{d}(\text{off})}$	Turn-off delay time		-	63.5	-	
$t_{\text{f}}$	Fall time		-	31	-	

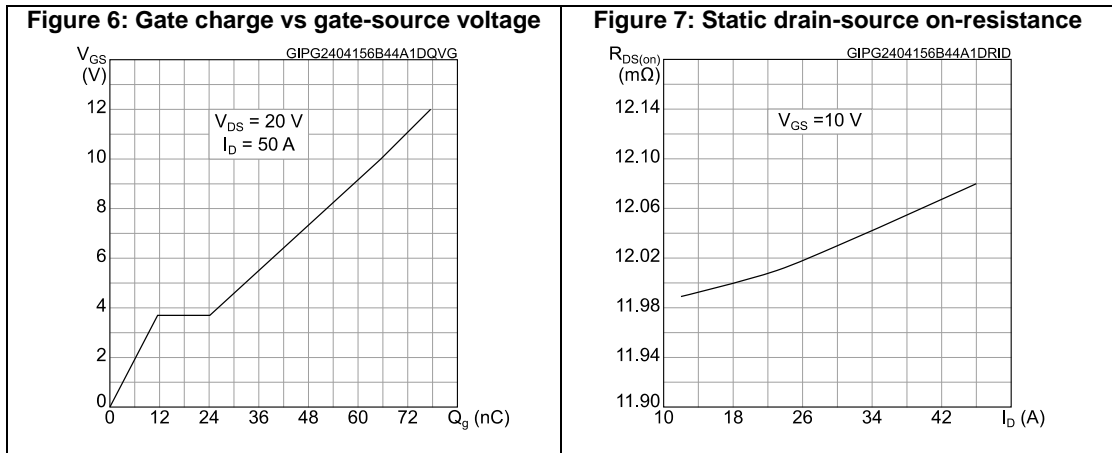
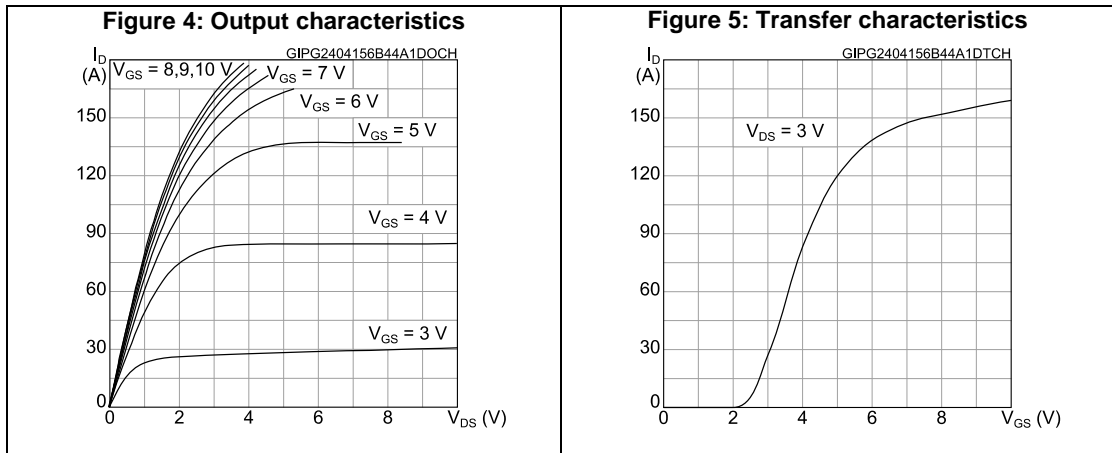
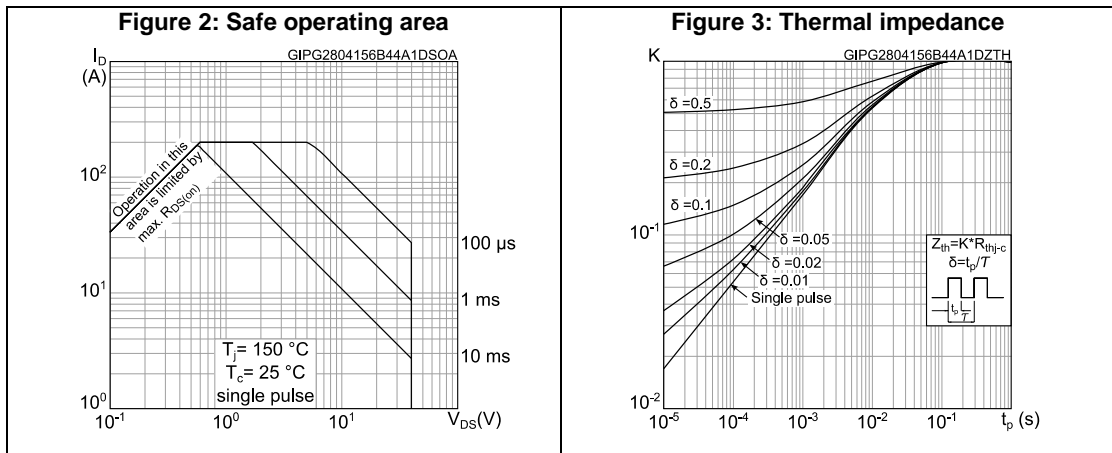
Table 7: Source-drain diode

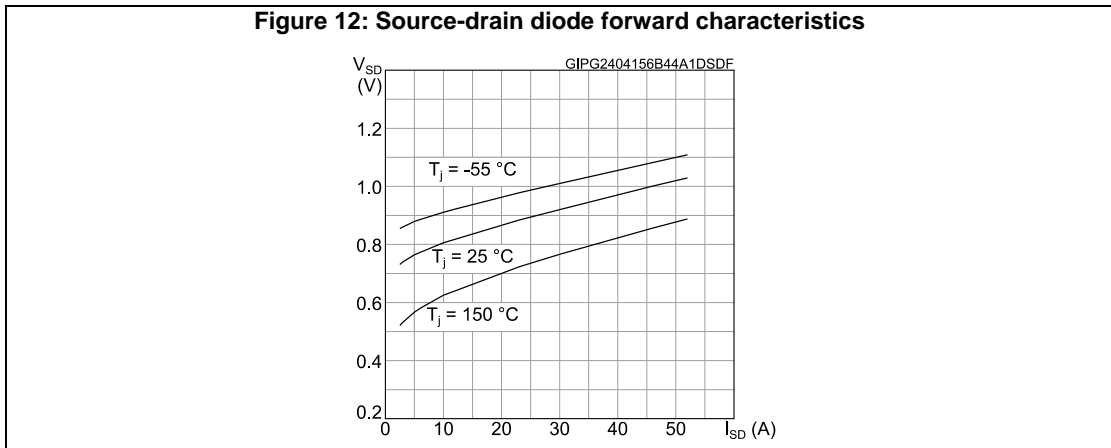
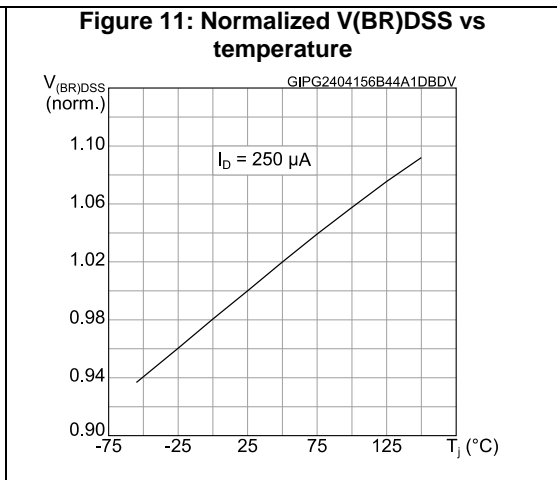
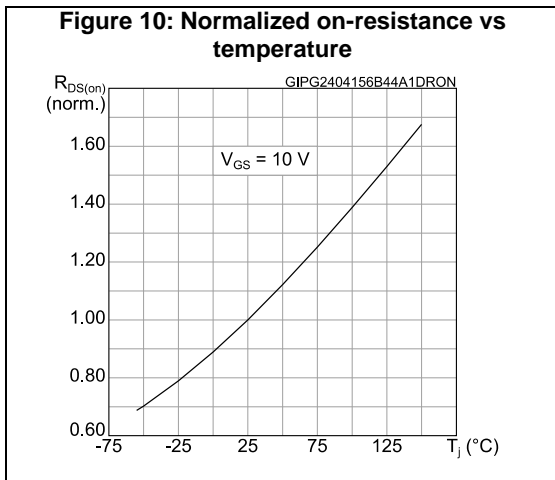
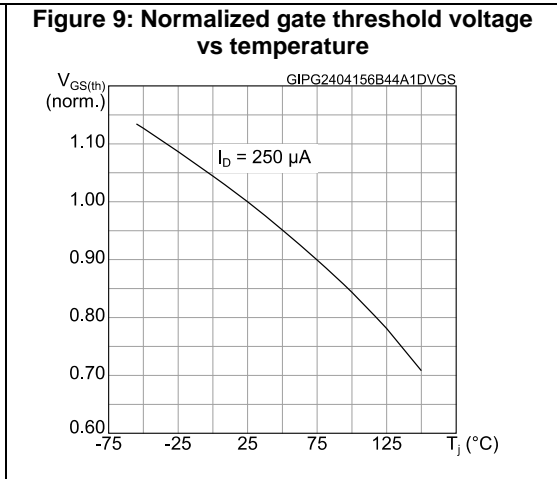
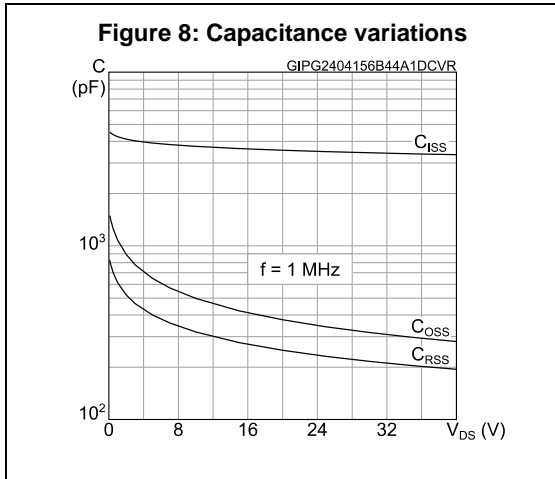
Symbol	Parameter	Test conditions	Min.	Typ.	Max.	Unit
$I_{SD}$	Source-drain current		-		-50	A
$I_{SDM}^{(1)}$	Source-drain current (pulsed)		-		-200	A
$V_{SD}^{(2)}$	Forward on voltage	$V_{GS} = 0\text{ V}$ , $I_{SD} = -50\text{ A}$	-		-1.3	V
$t_{rr}$	Reverse recovery time	$I_{SD} = -50\text{ A}$ , $di/dt = -100\text{ A}/\mu\text{s}$ , $V_{DD} = -32\text{ V}$ (see <a href="#">Figure 15: "Test circuit for inductive load switching and diode recovery times"</a> )	-	27.5		ns
$Q_{rr}$	Reverse recovery charge		-	24.5		nC
$I_{RRM}$	Reverse recovery current		-	-1.8		A

**Notes:**

- (1) Pulse width is limited by safe operating area.  
(2) Pulse test: pulse duration = 300  $\mu\text{s}$ , duty cycle 1.5%.

## 2.1 Electrical characteristics (curves)

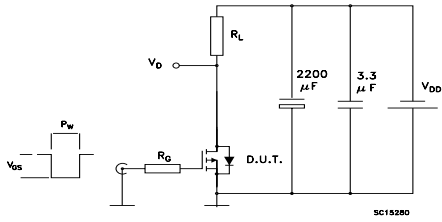




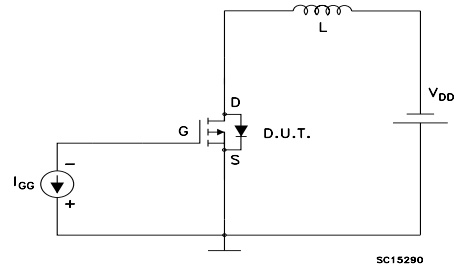
For the P-channel Power MOSFET, current and voltage polarities are reversed.

### 3 Test circuits

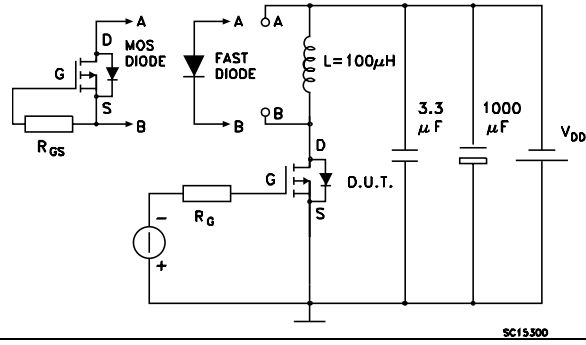
**Figure 13: Switching times test circuit for resistive load**



**Figure 14: Gate charge test circuit**



**Figure 15: Test circuit for inductive load switching and diode recovery times**





## 4 Package information

In order to meet environmental requirements, ST offers these devices in different grades of ECOPACK® packages, depending on their level of environmental compliance. ECOPACK® specifications, grade definitions and product status are available at: [www.st.com](http://www.st.com). ECOPACK® is an ST trademark.

### 4.1 DPAK (TO-252) type A2 package information

Figure 16: DPAK (TO-252) type A2 package outline

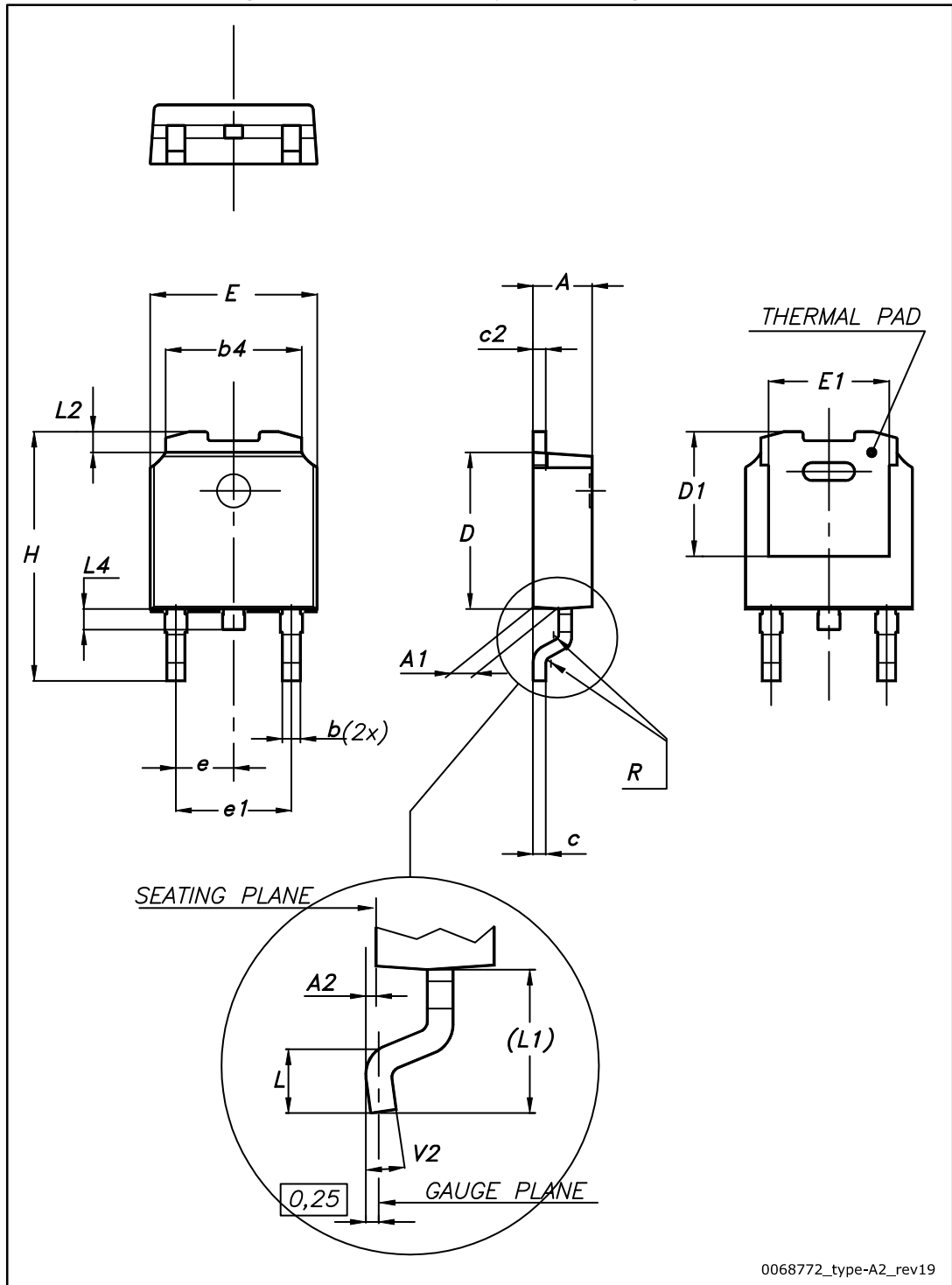
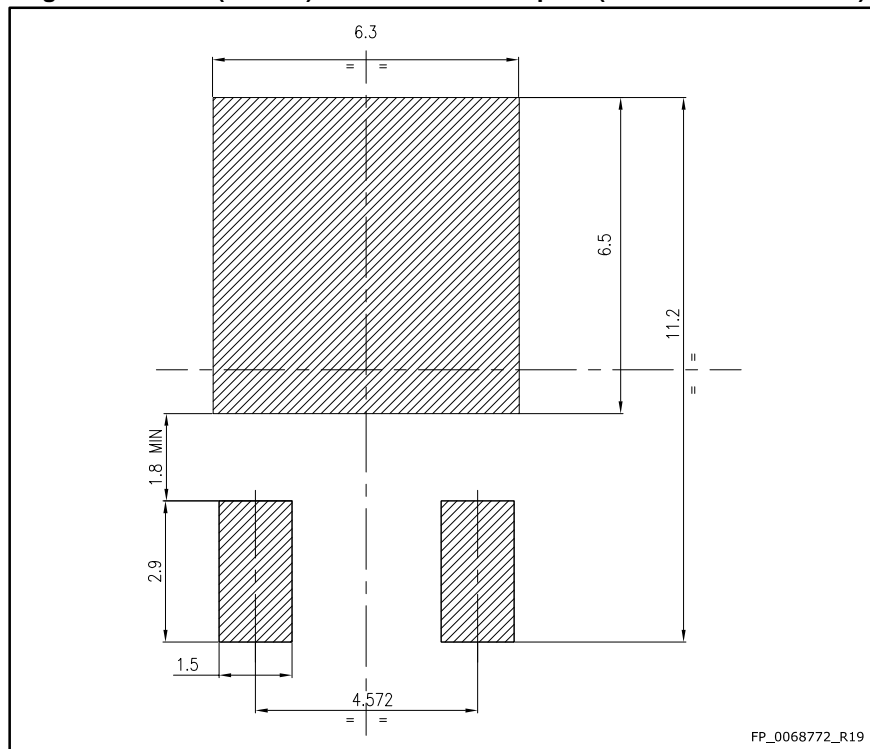


Table 8: DPAK (TO-252) type A2 mechanical data

Dim.	mm		
	Min.	Typ.	Max.
A	2.20		2.40
A1	0.90		1.10
A2	0.03		0.23
b	0.64		0.90
b4	5.20		5.40
c	0.45		0.60
c2	0.48		0.60
D	6.00		6.20
D1	4.95	5.10	5.25
E	6.40		6.60
E1	5.10	5.20	5.30
e	2.16	2.28	2.40
e1	4.40		4.60
H	9.35		10.10
L	1.00		1.50
L1	2.60	2.80	3.00
L2	0.65	0.80	0.95
L4	0.60		1.00
R		0.20	
V2	0°		8°

Figure 17: DPAK (TO-252) recommended footprint (dimensions are in mm)



### 4.2 DPAK (TO-252) packing information

Figure 18: DPAK (TO-252) tape outline

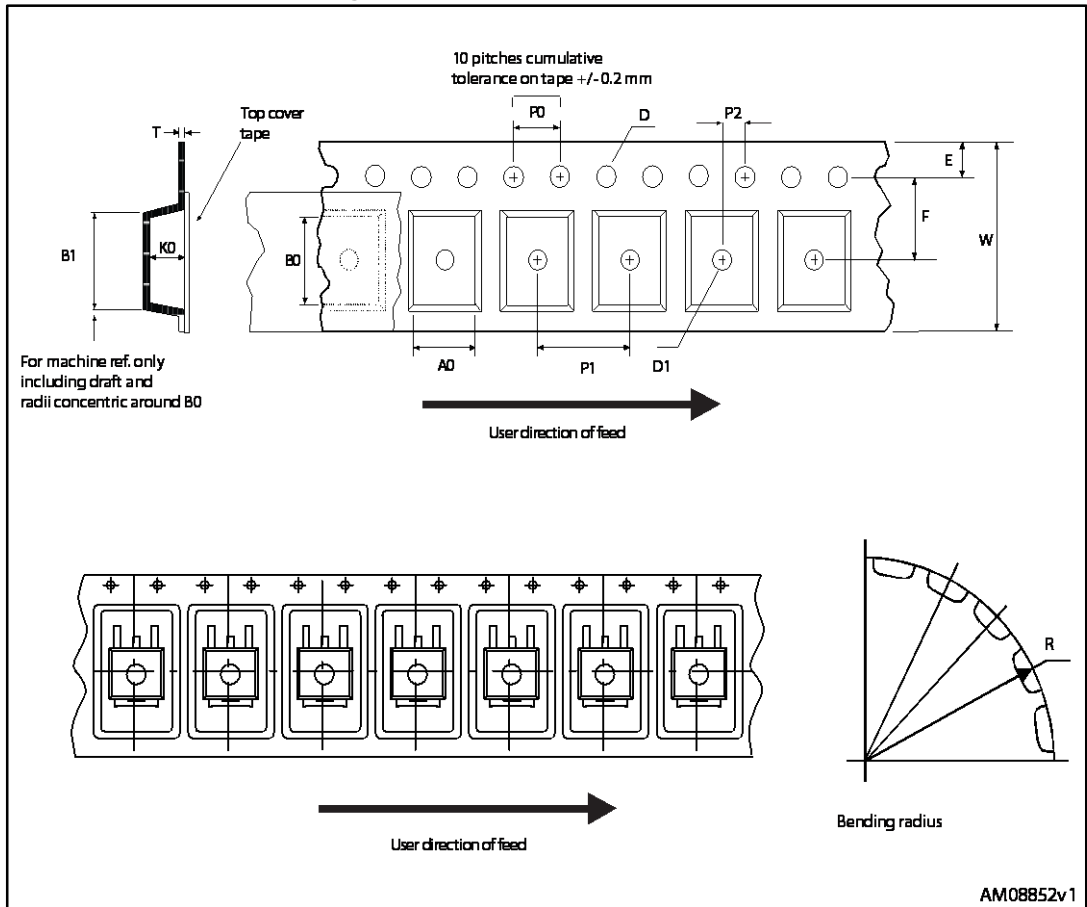


Figure 19: DPAK (TO-252) reel outline

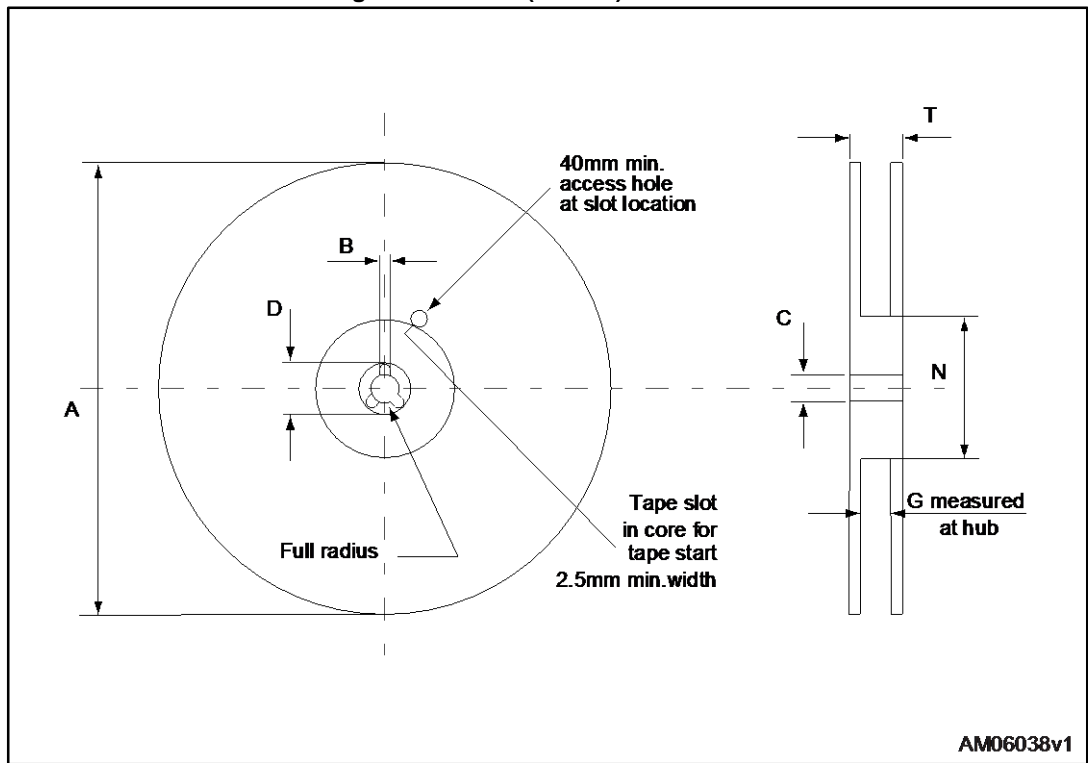


Table 9: DPAK (TO-252) tape and reel mechanical data

Tape			Reel		
Dim.	mm		Dim.	mm	
	Min.	Max.		Min.	Max.
A0	6.8	7	A		330
B0	10.4	10.6	B	1.5	
B1		12.1	C	12.8	13.2
D	1.5	1.6	D	20.2	
D1	1.5		G	16.4	18.4
E	1.65	1.85	N	50	
F	7.4	7.6	T		22.4
K0	2.55	2.75			
P0	3.9	4.1	Base qty.		2500
P1	7.9	8.1	Bulk qty.		2500
P2	1.9	2.1			
R	40				
T	0.25	0.35			
W	15.7	16.3			

## 5 Revision history

**Table 10: Document revision history**

Date	Revision	Changes
28-Apr-2015	1	First release.
22-Jul-2015	2	Modified: $V_{GS}$ values in absolute maximum ratings table and static table. Updated: DPAK (TO-252) type A2 package information section updated. Minor text changes.

**IMPORTANT NOTICE – PLEASE READ CAREFULLY**

STMicroelectronics NV and its subsidiaries ("ST") reserve the right to make changes, corrections, enhancements, modifications, and improvements to ST products and/or to this document at any time without notice. Purchasers should obtain the latest relevant information on ST products before placing orders. ST products are sold pursuant to ST's terms and conditions of sale in place at the time of order acknowledgement.

Purchasers are solely responsible for the choice, selection, and use of ST products and ST assumes no liability for application assistance or the design of Purchasers' products.

No license, express or implied, to any intellectual property right is granted by ST herein.

Resale of ST products with provisions different from the information set forth herein shall void any warranty granted by ST for such product.

ST and the ST logo are trademarks of ST. All other product or service names are the property of their respective owners.

Information in this document supersedes and replaces information previously supplied in any prior versions of this document.

© 2015 STMicroelectronics – All rights reserved



# Mouser Electronics

Authorized Distributor

Click to View Pricing, Inventory, Delivery & Lifecycle Information:

[STMicroelectronics:](#)

[STD45P4LLF6AG](#)