

10/100 FAST ETHERNET 3.3V TRANSCEIVER

1 DESCRIPTION

The STE100P, also referred to as STEPHY1, is a high performance Fast Ethernet physical layer interface for 10Base-T and 100Base-TX applications.

It was designed with advanced CMOS technology to provide a Media Independent Interface (MII) for easy attachment to 10/100 Media Access Controllers (MAC) and a physical media interface for 100Base-TX of IEEE802.3u and 10Base-T of IEEE802.3.

The STEPHY1 supports both half-duplex and full-duplex operation, at 10 and 100 Mbps operation. Its operating mode can be set using auto-negotiation, parallel detection or manual control. It also allows for the support of auto-negotiation functions for speed and duplex detection.

2 FEATURES

2.1 Industry standard

- IEEE802.3u 100Base-TX and IEEE802.3 10Base-T compliant

Figure 1. Package

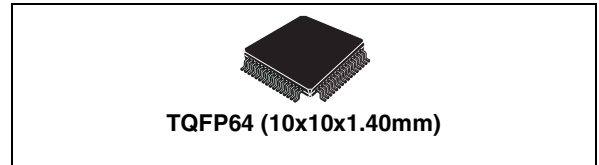


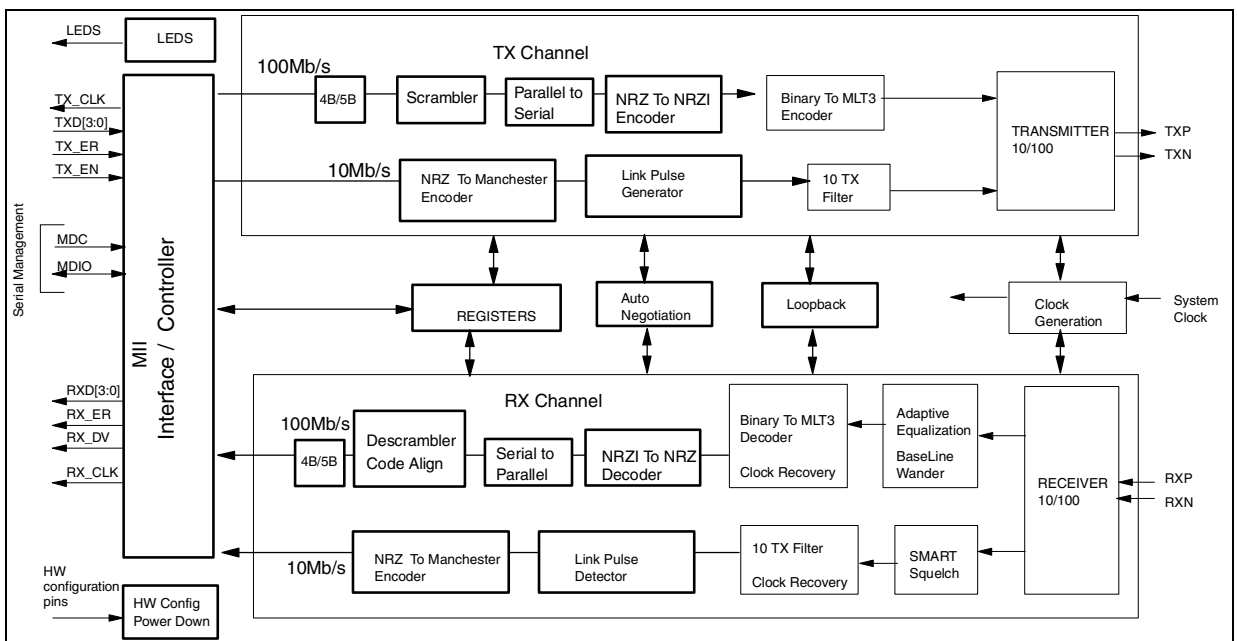
Table 1. Order Codes

Part Number	Package
STE100P	TQFP64
E-STE100P (*)	TQFP64

(*) ECOPACK® (see Section 9)

- Support for IEEE802.3x flow control
- IEEE802.3u Auto-Negotiation support for 10Base-T and 100Base-TX
- MII interface
- Standard CSMA/CD or full duplex operation supported
- Industrial temperature compliant

Figure 2. Block Diagram



2.2 Physical Layer

- Integrates the whole Physical layer functions of 100Base-TX and 10Base-T
- Provides Full-duplex operation on both 100Mbps and 10Mbps modes
- Provides Auto-negotiation(NWAY) function of full/half duplex operation for both 10 and 100 Mbps
- Provides MLT-3 transceiver with DC restoration for Base-line wander compensation
- Provides transmit wave-shaper, receive filters, and adaptive equalizer
- Provides loop-back modes for diagnostic
- Builds in Stream Cipher Scrambler/ De-scrambler and 4B/5B encoder/decoder
- Supports external transmit transformer with turn ratio 1:1
- Supports external receive transformer with turn ratio 1:1

2.3 LED Display

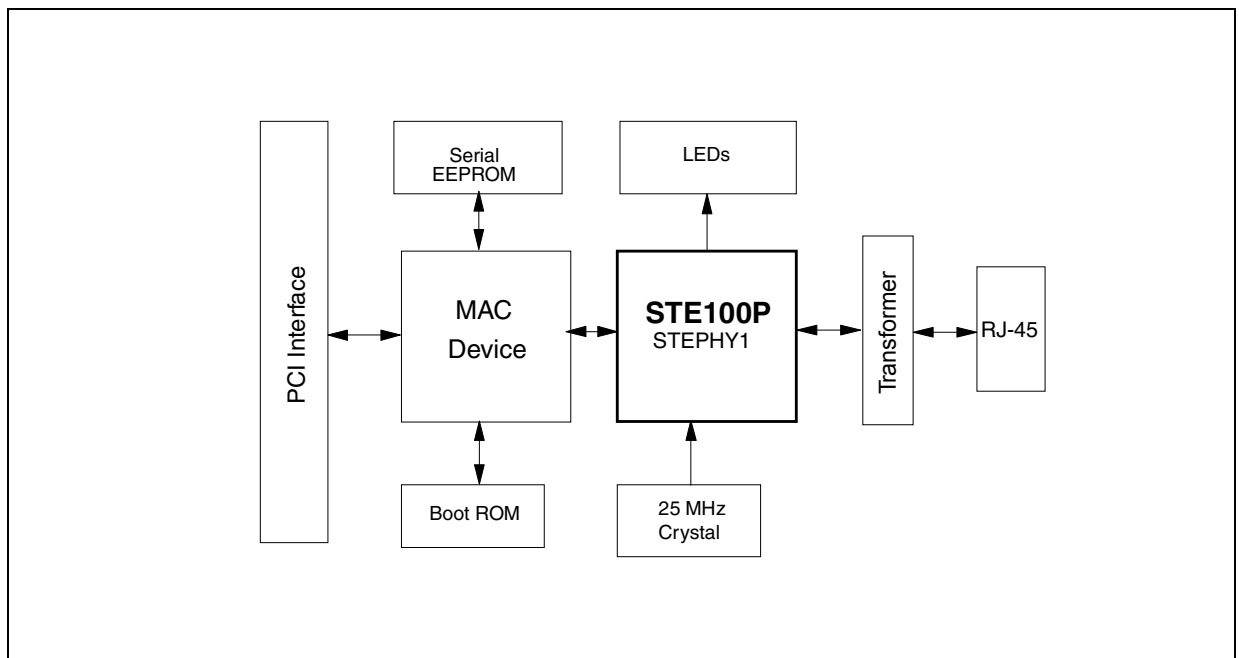
The LED display, consists of five LEDs having the following characteristics:

- 10 Mbps Speed LED: 10Mbps(on) or 100Mbps(off)
- 100 Mbps Speed LED: 100Mbps(on) or 10Mbps(off)
- TX/RX Activity LED: Blinks at 10Hz when receiving, but not colliding
- Link LED: On when a good link is detected, blinks when there is TX or RX activity
- Full Duplex / Collision LED: On during Full Duplex operation. Blinks at 20Hz to indicate a collision

2.4 Miscellaneous

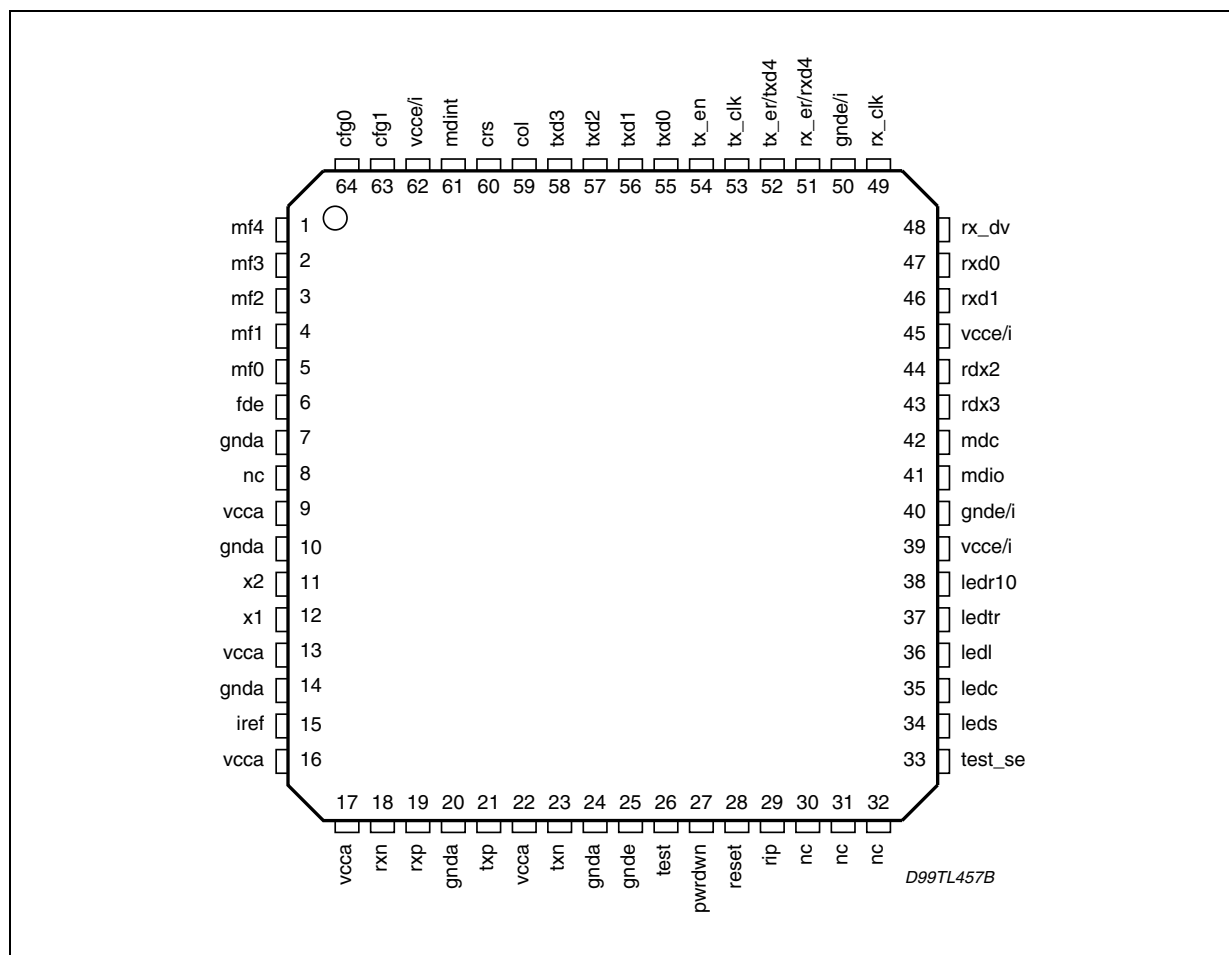
- Standard 64-pin QFP package pinout

Figure 3. System Diagram of the STE100P Application



3 PIN ASSIGNMENT DIAGRAM

Figure 4. Pin Connection



4 PIN DESCRIPTION

Table 2. Pin Description

Pin No.	Name	Type	Description
MII Data Interface			
52 58 57 56 55	txd4 txd3 txd2 txd1 txd0	I	Transmit Data. The Media Access Controller (MAC) drives data to the STE100P using these inputs. txd4 is monitored only in Symbol (5B) Mode. These signals must be synchronized to the tx_clk.
54	tx_en	I	Transmit Enable. The MAC asserts this signal when it drives valid data on the txd inputs. This signal must be synchronized to the tx_clk.
53	tx_clk	I/O	Transmit Clock. Normally the STE100P drives tx_clk. Refer to the Clock Requirements discussion in the Functional Description section. 25 MHz for 100 Mbps operation. 2.5 MHz for 10 Mbps operation.

Table 2. Pin Description (continued)

Pin No.	Name	Type	Description
52	tx_er	I	Transmit Coding Error. The MAC asserts this input when an error has occurred in the transmit data stream. When the STE100P is operating at 100 Mbps, the STE100P responds by sending invalid code symbols on the line. In Symbol (5B) Mode this pin functions as txd4.
51 43 44 46 47	rx_d4 rx_d3 rx_d2 rx_d1 rx_d0	O	Receive Data. The STE100P drives received data on these outputs, synchronous to rx_clk. rx_d4 is driven only in Symbol (5B) Mode.
48	rx_dv	O	Receive Data Valid. The STE100P asserts This signal when it drives valid data on rxd. This output is synchronous to rx_clk.
51	rx_er	O	Receive Error. The STE100P asserts this output when it receives invalid symbols from the network. This signal is synchronous to rx_clk. In Symbol (5B) Mode this pin functions as rxd4.
49	rx_clk	O	Receive Clock. This continuous clock provides reference for rxd, rx_dv, and rx_er signals. Refer to the Clock Requirements discussion in the Functional Description section. 25 MHz for 100 Mbps operation. 2.5 MHz for 10 Mbps operation.
59	col	O	Collision Detected. The STE100P asserts this output when detecting a collision. This output remains High for the duration of the collision. This signal is asynchronous and inactive during full-duplex operation.
60	crs	O	Carrier Sense. During half-duplex operation (PR0:8=0), the STE100P asserts this output when either transmit or receive medium is non idle. During full duplex operation (PR0:8=1), crs is asserted only when the receive medium is non-idle.
MII Control Interface			
42	mdc	I	Management Data Clock. Clock for the mdio serial data channel. Maximum frequency is 2.5 MHz.
41	mdio	I/O	Management Data Input/Output, Bi-directional serial data channel for PHY communication.
61	mdint	OD	Management Data Interrupt. When any bit in PR18 = 1, an active High output on this pin indicates status change in the corresponding bits in PR17. Interrupt is cleared by reading Register PR17. Requires MDC edge to output.
Physical (Twisted Pair) Interface			
12	x1	I	25 MHz reference clock input. When an external 25 MHz crystal is used, this pin will be connected to one terminal of it. If an external 25 MHz clock source of oscillator is used, then this pin will be the input pin of it.
11	x2	O	25 MHz reference clock output. When an external 25MHz crystal is used, this pin will be connected to another terminal of it. If an external clock source is used, then this pin should be left open.
21 23	txp txn	O	The differential Transmit outputs of 100Base-TX or 10Base-T, these pins directly output to the transformer.
19 18	rxp rxn	I	The differential Receive inputs of 100Base-TX or 10Base-T, these pins directly input from the transformer.

Table 2. Pin Description (continued)

Pin No.	Name	Type	Description
15	iref	O	Reference Resistor connecting pin for reference current, directly connect a $5K\Omega \pm 1\%$ resistor to Vss.
38	ledr10	I/O	LED display for 10Ms/s link status. This pin will be driven on continually when 10Mb/s network operating speed is detected. The pull-up/pull-down status of this pin is latched into the PR20 bit 7 during power up/reset.
37	ledtr		LED display for Tx/Rx Activity status. This pin will be driven on at a 10 Hz blinking frequency when either effective receiving or transmitting is detected. The status of this pin is latched into the PR20 bit 6 during power up/reset.
36	ledl	I/O	LED display for Link Status. Blinks when there is TX or RX activity. This pin will be driven on continually when a good Link test is detected. The status of this pin is latched into the PR20 bit 5 during power up/reset.
35	ledc	I/O	LED display for Full Duplex or Collision status. This pin will be driven on continually when a full duplex configuration is detected. This pin will be driven on at a 20 Hz blinking frequency when a collision status is detected in the half duplex configuration. The status of this pin is latched into the PR20 bit 4 during power up/reset.
34	leds	I/O	LED display for 100Ms/s link status. This pin will be driven on continually when 100Mb/s network operating speed is detected. The status of this pin is latched into the PR20 bit 3 during power up/reset.
64	cfg0	I	Configuration Control 0. When A/N is enabled , cfg0 determines operating mode advertisement capabilities in combination with cfg1 when mf0/ PR0:12 = 1. (See Table 2) When A/N is disabled , cfg1 disables mlt3 and directly affects PR19:0 When cfg0 is Low, mlt3 encoder/decoder is enabled and PR19:1 = 0. When cfg0 is High, mlt3 encoder/decoder is bypassed and PR19:1 = 1.
63	cfg1	I	Configuration Control 1. When A/N is enabled , cfg1 determines operating mode advertisement capabilities in combination with cfg1 when mf0/ PR0:12 = 1. (See Table 2) When A/N is disabled , CFG1 enables Loopback mode and directly affects PR0 bit 14. When cfg1 is Low, Loopback mode is disabled and PR0:14 = 0. When cfg1 is High, Loopback mode is enabled and PR0:14 = 1.
28	reset	I	Reset (Active-Low) . This input must be held low for a minimum of 1 ms to reset the STE100P. During Power-up, the STE100P will be reset regardless of the state of this pin, and this reset will not be complete until after >1ms.
29	rip	O	Reset In Progress . This output is used to indicate when the device has completed power-up/reset and the registers and functions can be accessed. When rip is High, power-up/reset has been successful and the device can be used normally When rip is Low, device reset is not complete.
8, 30,31, 32	nc		nc (No Connection)
26, 33	test, test_se		Test pins. Should be tied to ground for normal operation
27	pwrdown	I	Power Down . When High, forces STE100P into Power Down mode. This pin is OR'ed with the Power Down bit (PR0:11). During the Power Down mode, txp/txn outputs and all LED outputs are 3-stated, and the MII interface is isolated.

Table 2. Pin Description (continued)

Pin No.	Name	Type	Description																		
5 4 3 2 1	mf0 mf1 mf2 mf3 mf4	I	<p>Multi-Function pins. Each mf pin internally drives different configuration functions. The functions of the five mf inputs are as shown in the table below.</p> <table border="1"> <thead> <tr> <th>Pin</th> <th>Function</th> <th>Register & Bit Affected</th> </tr> </thead> <tbody> <tr> <td>mf0</td> <td>Auto-Negotiation</td> <td>PR0:12 ANE</td> </tr> <tr> <td>mf1</td> <td>Enable NRZ-NRZI conversion</td> <td>PR19:7 ENRZI</td> </tr> <tr> <td>mf2</td> <td>4B/5B Coding Enable</td> <td>PR19:6 EN4B5B</td> </tr> <tr> <td>mf3</td> <td>Scrambler Operation Disable</td> <td>PR19:0 DISCRM</td> </tr> <tr> <td>mf4</td> <td>MF4 10/100 Mbps Speed Select</td> <td>PR0:13 SPSEL</td> </tr> </tbody> </table> <p>The logic level of mf0-4 will determine the value that the affected bits will have upon reset of the STE100P. The operating functions of cfg0, cfg1, and fde change depending on the state of mf0 (Auto-Negotiation enabled or disabled). Table 2 shows the relationship between cfg0, cfg1 and fde.</p>	Pin	Function	Register & Bit Affected	mf0	Auto-Negotiation	PR0:12 ANE	mf1	Enable NRZ-NRZI conversion	PR19:7 ENRZI	mf2	4B/5B Coding Enable	PR19:6 EN4B5B	mf3	Scrambler Operation Disable	PR19:0 DISCRM	mf4	MF4 10/100 Mbps Speed Select	PR0:13 SPSEL
Pin	Function	Register & Bit Affected																			
mf0	Auto-Negotiation	PR0:12 ANE																			
mf1	Enable NRZ-NRZI conversion	PR19:7 ENRZI																			
mf2	4B/5B Coding Enable	PR19:6 EN4B5B																			
mf3	Scrambler Operation Disable	PR19:0 DISCRM																			
mf4	MF4 10/100 Mbps Speed Select	PR0:13 SPSEL																			
6	fde	I	<p>Full-Duplex Enable. When A/N is enabled, fde determines full-duplex advertisement capability in combination with cfg0 and cfg1. (See Table 2) When A/N is disabled, fde directly affects full-duplex operation and determines the value of PR0 bit 8 (Full/Half Duplex Mode Select). When fde is High, full-duplex is enabled and PR0:8 = 1. When fde is Low, full-duplex is disabled and PR0:8 = 0.</p>																		
Digital Power Pins																					
39, 45, 62			vcce, vcce/i																		
25, 40, 50			gnde, gnde/i																		
Analog Power Pins																					
9, 13, 16, 17, 22			vcca																		
7, 10, 14, 20, 24			gn da																		

5 HARDWARE CONTROL INTERFACE

5.1 Operating Configurations

The Hardware Control Interface consists of the MF<4:0>, CFG <1:0> and FDE input pins as well as the LED/PAD pins. This interface is used to configure operating characteristics of the STE100P. The Hardware Control Interface provides initial values for the MDIO registers, and then passes control to the MDIO Interface. Individual chip addressing via the LED/PAD pins allows multiple STE100P devices to share the MII interface. Table 3 shows how to set up the desired operating configurations using the Hardware Control Interface.

Table 3. Operating Configurations / Auto-Negotiation Enabled

Desired Configuration	Input Value			PR4 Register Bits Affected			
	CFG0	CFG1	FDE	[8] TXF	[7] TXH	[6] 10F	[5] 10H
Advertise All	1	1	1	1	1	1	1
Advertise 100 HD	1	0	0	0	1	0	0
Advertise 100 HD/FD	1	0	1	1	1	0	0
Advertise 10 HD	0	1	0	0	0	0	1
Advertise 10 HD/FD	0	1	1	0	0	1	1
Advertise 10/100 HD	1	1	0	0	1	0	1

Note: If pin 5, MF0 = 0, or ANE (pin MF0 / PR0:12) = 0 (Auto-Negotiation disabled), then PR4 bits 5-8 will contain the default value indicated in the table describing register PR4.

5.2 LED / PHY Address Interface

The LED output pins can be used to drive LED's directly, or can be used to provide status information to a network management device. The active state of each LED output driver is dependent on the logic level sampled by the corresponding PHY address input upon power-up/reset. For example, if a given PAD input is resistively pulled low then the corresponding LED output will be configured as an active high driver. Conversely, if a given PAD input is resistively pulled high then the corresponding LED output will be configured as an active low driver. These outputs are standard CMOS drivers and not open-drain.

The STE100P PAD[4:0] inputs provide up to 32 unique PHY address options. An address selection of all zeros (00000) will result in a PHY isolation condition as a result of power-on/reset, as documented for PR0 bit 10.

(See Section 7 for more detailed descriptions of device operation.)

6 REGISTERS AND DESCRIPTORS DESCRIPTION

There are 11 registers with 16 bits each supported for the STE100P. These include 7 basic registers which are defined according to the clause 22 “Reconciliation Sublayer and Media Independent Interface” and clause 28 “Physical Layer link signaling for 10 Mb/s and 100 Mb/s Auto-Negotiation on twisted pair” of IEEE802.3u standard.

In addition, there are 4 special registers for advanced chip control and status information.

6.1 Register List

Table 4. Register List

Address	Reg. Index	Name	Register Descriptions
0	PR0	XCR	XCVR Control Register
1	PR1	XSR	XCVR Status Register
2	PR2	PID1	PHY Identifier 1
3	PR3	PID2	PHY Identifier 2
4	PR4	ANA	Auto-Negotiation Advertisement Register
5	PR5	ANLPA	Auto-Negotiation Link Partner Ability Register
6	PR6	ANE	Auto-Negotiation Expansion Register
17	PR17	XCIIS	XCVR Configuration Information and Interrupt Status Register
18	PR18	XIE	XCVR Interrupt Enable Register
19	PR19	100CTR	100Base-TX PHY Control/Status Register
20	PR20	XMC	XCVR Mode Control Register

6.2 Register Descriptions

Table 5. Register Descriptions

Bit #	Name	Descriptions	Default Val	RW Type
PR0- XCR, XCVR Control Register. The default values on power-up/reset are as listed below.				
15	XRST	Reset control. 1: Device will be reset. This bit will be cleared by STE100P itself after the reset is completed.	0	R/W
14	XLBEN	Loop-back mode select. 1: Loop-back mode is selected. 0: Normal mode	0	R/W
13	SPSEL	Network Speed select. This bit's selection will be ignored if Auto-Negotiation is enabled(bit 12 of PR0 = 1). 1:100Mbps is selected. 0:10Mbps is selected.	1	R/W
12	ANEN	Auto-Negotiation ability control. 1: Auto-Negotiation function is enabled. 0: Auto-Negotiation is disabled.	1	R/W

Table 5. Register Descriptions (continued)

Bit #	Name	Descriptions	Default Val	RW Type
11	PDEN	Power-down mode control. 1: Power-down mode is selected. Setting this bit puts the STE100P into power-down mode. During the power-down mode, TXP/TXN and all LED outputs are 3-stated, and the MII interface is isolated.	0	R/W
10	ISOEN	0 – Normal operation. 1 – Isolate PHY from MII. Setting this control bit isolates the STE100P from the MII, with the exception of the serial management inter-face. When this bit is asserted, the STE100P does not respond to TXD[3:0], TX-EN, and TX-ER inputs, and it presents a high impedance on its TX-CLK, RX-CLK, RX-DV, RX-ER, D[3:0], COL, and CRS outputs.	0	R/W
9	RSAN	Re-Start Auto-Negotiation process control. 1: Auto-Negotiation process will be re-started. This bit will be cleared by STE100P itself after the Auto-negotiation restarted.	0	R/W
8	DPSEL	Full/Half duplex mode select. 1: Full duplex mode is selected. This bit will be ignored if Auto-Negotiation is enabled (bit 12 of PR0 = 1). 0: Half duplex mode is selected	0	R/W
7	COLEN	Collision test control. 1: Collision test is enabled. 0: normal operation This bit, when set, causes the COL signal to be asserted as a result of the assertion of TX_EN. De-assertion of TX_EN will cause the COL signal to be de-asserted.	0	R/W
6~0	---	Reserved	0	RO
R/W = Read/Write able. RO = Read Only.				
PR1- XSR, XCVR Status Register. All the bits of this register are read only.				
15	T4	100BASE-T4 ability. Always 0, since STE100P has no T4 ability.	0	RO
14	TXFD	100Base-TX full duplex ability. Always 1, since STE100P has the 100Base-TX full duplex ability.	1	RO
13	TXHD	100Base-TX half duplex ability. Always 1, since STE100P has the 100Base-TX half duplex ability.	1	RO
12	10FD	10Base-T full duplex ability. Always 1, since STE100P has 10Base-T full duplex ability.	1	RO
11	10HD	10Base-T half duplex ability. Always 1, since STE100P has 10Base-T half duplex ability.	1	RO
10~7	---	Reserved	0	RO

Table 5. Register Descriptions (continued)

Bit #	Name	Descriptions	Default Val	RW Type
6	MFPS	MF Preamble Suppression 1 =Accepts management frames with pre-ambule suppressed. 0 = Will not accept management frames with preamble suppressed. The value of this bit is controlled by bit 1 of PR20. Its default of 1 indicates that the SFEPHY1 accepts management frame without preamble. A minimum of 32 preamble bits are required following power-on or hardware reset. One IDLE bit is required between any two management transactions as per IEEE 802.3u specification.	1	RO
5	ANC	Auto-Negotiation Completed. 0: Auto-Negotiation process is not completed. 1: Auto-Negotiation process is completed. (PR0, Bit 12 is set)	0	RO
4	RF	Result of remote fault detection. 0: No remote fault condition detected. 1: Remote fault condition detected. This bit is set when the Link Partner transmits a remote fault condition (PR5 bit 13 = 1).	0	RO/LH*
3	AN	Auto-Negotiation ability. Always 1, since STE100P has the Auto-Negotiation ability.	1	RO
2	LINK	Link status. 0: a failure link condition occurred. (Latched until read) 1: a valid link is established.	0	RO/LL*
1	JAB	Jabber detection. 1: jabber condition is detected (10Base-T only).	0	RO/LH*
0	EXT	Extended register supporting. Always 1, since STE100P supports extended register	1	RO
LL* = Latching Low and clear by read. LH* = Latching High and clear by read.				
PR2- PID1, PHY Identifier 1				
15~0	PHYID1	Part one of PHY Identifier. Assigned to the 3 rd to 18 th bits of the Organizationally Unique Identifier (OUI). (The ST OUI is 0080E1 hex).	1C04h	RO
PR3- PID2, PHY Identifier 2				
15~10	PHYID2	Part two of PHY Identifier. Assigned to the 19 th to 24 th bits of the Organizationally Unique Identifier (OUI).	000000b	RO
9~4	MODEL	Model number of STE100P. Six bits manufacture's model number.	000001b	RO
3~0	REV	Revision number of STE100P. Four bits manufacture's revision number.	0001b	RO
PR4- ANA, Auto-Negotiation Advertisement				
15	NXTPG	Next Page ability. Always 0: since STE100P does not provide next page ability.	0	RO
14	---	Reserved		

Table 5. Register Descriptions (continued)

Bit #	Name	Descriptions	Default Val	RW Type
13	RF	Remote Fault function. 1: with remote fault function.	0	R/W
12,11	---	Reserved		
10	FC	Flow Control function Ability. 1:supports PAUSE operation of flow control for full duplex link.	1	R/W
9	T4	100BASE-T4 Ability. Always 0: since STE100P doesn't have 100BASE-T4 ability.	0	RO
8	TXF	100Base-TX Full duplex Ability. 1: with 100Base-TX full duplex ability.	1	R/W
7	TXH	100Base-TX Half duplex Ability. 1: with 100Base-TX ability.	1	R/W
6	10F	10Base-T Full duplex Ability. 1: with 10Base-T full duplex ability.	1	R/W
5	10H	10Base-T Half duplex Ability. 1: with 10Base-T ability.	1	R/W
4~0	SF	Select field.	00000	RO
PR5- ANLP, Auto-Negotiation Link Partner ability				
15	LPNP	Link partner Next Page ability. 0: link partner without next page ability. 1: link partner with next page ability.	0	RO
14	LPACK	Received Link Partner Acknowledge. 0: link code work had not received yet. 1: link partner successfully received STE100P's Link Code Word.	0	RO
13	LPRF	Link Partner's Remote fault status. 0: no remote fault detected. 1: remote fault detected.	0	RO
12,11	---	Reserved	0	RO
10	LPFC	Link Partner's Flow control ability. 0: link partner without PAUSE function ability. 1: link partner with PAUSE function full duplex link ability.	0	RO
9	LPT4	Link Partner's 100BASE-T4 ability. 0: link partner without 100BASE-T4 ability. 1: link partner with 100BASE-T4 ability.	0	RO
8	LPTXF	Link Partner's 100Base-TX Full duplex ability. 0: link partner without 100Base-TX full duplex ability. 1: link partner with 100Base-TX full duplex ability.	0	RO
7	LPTXH	Link Partner's 100Base-TX Half duplex ability. 0: link partner without 100Base-TX. 1: link partner with 100Base-TX ability.	0	RO
6	LP10F	Link Partner's 10Base-T Full Duplex ability. 0: link partner without 10Base-T full duplex ability. 1: link partner with 10Base-T full duplex ability.	0	RO

Table 5. Register Descriptions (continued)

Bit #	Name	Descriptions	Default Val	RW Type
5	LP10H	Link Partner's 10Base-T Half Duplex ability. 0: link partner without 10Base-T ability. 1: link partner with 10Base-T ability.	0	RO
4~0	LPSF	Link partner select field. Default 00001=IEEE 802.3.	00001	RO
PR6- ANE, Auto-Negotiation expansion				
15~5	---	Reserved	0	RO
4	PDF	Parallel detection fault. 0: no fault detected. 1: a fault detected via parallel detection function.	0	RO/LH*
3	LPNP	Link Partner's Next Page ability. 0: link partner without next page ability. 1: link partner with next page ability.	0	RO
2	NP	STE100P's next Page ability. Always 0, since STE100P without next page ability.	0	RO
1	PR	Page Received. 0: no new page has been received. 1: a new page has been received.	0	RO/LH*
0	LPAN	Link Partner Auto-Negotiation ability. 0: link partner has no Auto-Negotiation ability. 1: link partner has Auto-Negotiation ability.	0	RO
LH = High Latching and cleared by reading.				
PR17- XCIS, XCVR Configuration information and Interrupt Status				
15~10	----	Reserved	0	RO
9	SPEED	Configured information of Speed. 0: the speed is 10Mb/s. 1: the speed is 100Mb/s.	1	RO
8	DUPLEX	Configured information of Duplex. 0: the duplex mode is half. 1: the duplex mode is full.	0	RO
7	PAUSE	Configured information of PAUSE function for flow control. 0: PAUSE function is disabled. 1: PAUSE function is enabled	0	RO
6	ANC	Interrupt source of Auto-Negotiation Completed. 0: Auto-Negotiation has not completed yet. 1: Auto-Negotiation has completed.	0	RO/LH*
5	RFD	Interrupt source of Remote Fault Detected. 0: there is no remote fault detected. 1: remote fault is detected.	0	RO/LH*
4	LS	Interrupt source of Link Fail. 0: link test status is up. 1: link is down.	0	RO/LH*

Table 5. Register Descriptions (continued)

Bit #	Name	Descriptions	Default Val	RW Type
3	ANAR	Interrupt source of Auto-Negotiation Acknowledge Received. 0: there is no link code word received. 1: link code word is receive from link partner.	0	RO/LH*
2	PDF	Interrupt source of Parallel Detection Fault. 0: there is no parallel detection fault. 1: parallel detection is fault.	0	RO/LH*
1	ANPR	Interrupt source of Auto-Negotiation Page Received. 0: there is no Auto-Negotiation page received. 1: auto-negotiation page is received.	0	RO/LH*
0	REF	Interrupt source of Receive Error full. 0: the receive error number is less than 64. 1: 64 error packets are received.	0	RO/LH*
LH = High Latching and cleared by reading.				
PR18- XIE, XCVR Interrupt Enable Register				
15~7	---	Reserved		
6	ANCE	Auto-Negotiation Completed interrupt Enable. 0: disable Auto-Negotiation completed interrupt. 1: enable Auto-Negotiation complete interrupt.	0	R/W
5	RFE	Remote Fault detected interrupt Enable. 0: disable remote fault detection interrupt. 1: enable remote fault detection interrupt.	0	R/W
4	LDE	Link Down interrupt Enable. 0: disable link fail interrupt. 1: enable link fail interrupt.	0	R/W
3	ANAE	Auto-Negotiation Acknowledge interrupt Enable. 0: disable link partner acknowledge interrupt 1: enable link partner acknowledge interrupt.	0	R/W
2	PDFE	Parallel Detection Fault interrupt Enable. 0: disable fault parallel detection interrupt. 1: enable fault parallel detection interrupt.	0	R/W
1	ANPE	Auto-Negotiation Page Received interrupt Enable. 0: disable Auto-Negotiation page received interrupt. 1: enable Auto-Negotiation page received interrupt.	0	R/W
0	REFE	RX_ERR full interrupt Enable. 0: disable rx_err full interrupt. 1: enable more than 64 time rx_err interrupt,	0	R/W
PR19- 100CTR, 100Base-TX Control Register				
15,14	---	reserved		
13	DISRER	Disable the RX_ERR counter. 0: the receive error counter - RX_ERR is enabled. 1: the receive error counter - RX_ERR is disabled.	0	R/W
12	ANC	Auto-Negotiation completed. This bit is the same as PR1:5. 0: the Auto-Negotiation process has not completed yet. 1: the Auto-Negotiation process has completed.	0	RO

Table 5. Register Descriptions (continued)

Bit #	Name	Descriptions	Default Val	RW Type
11, 10	---	reserved		
9	ENRLB	Enable remote loop-back function. 1: enable 0: disable	0	R/W
8	ENDCR	Enable DC restoration. 0: disable DC restoration. 1: enable DC restoration.	1	R/W
7	ENRZI	Enable the conversions between NRZ and NRZI. 0: disable the data conversion between NRZ and NRZI. 1: enable the data conversion of NRZI to NRZ in receiving and NRZ to NRZI in transmitting.	1	R/W
6	EN4B5B	Enable 4B/5B encoder and decoder 0: the 4B/5B encoder and decoder are bypassed 1: the 4B/5B encoder and decoder are enabled..	1	R/W
5	ISOTX	Transmit Isolation. When 1, isolate from MII and tx+/- . The bit will be set to one if the PHY address is set to 00000 at power-up/reset This bit must be 0 for normal operation	0	R/W
4~2	CMODE	Reporting of current operation mode of transceiver. 000: in auto-negotiation 001: 10Base-T half duplex 010: 100Base-TX half duplex 011: reserved 100: reserved 101: 10Base-T full duplex 110: 100Base-TX full duplex 111: isolation, auto-negotiation disable	000	RO
1	DISMLT	Disable MLT3. 0: the MLT3 encoder and decoder are enabled. 1: the MLT3 encoder and decoder are bypassed.	0	R/W
0	DISCRM	Disable Scramble. 0: the scrambler and de-scrambler is enabled. 1: the scrambler and de-scrambler are disabled.	0	R/W
PR20- XMC, XCVR Mode control				
15~12	---	Reserved	0	RO
11	LD	Long Distance mode of 10Base-T. 0: normal squelch level. 1: reduces 10Base-T squelch level for extended cable length. As the length of the cable increases, so does the current.	0	R/W
10~8	---	Reserved	0	RO

Table 5. Register Descriptions (continued)

Bit #	Name	Descriptions	Default Val	RW Type
7~3	PAD4:0	PHY Address [4:0]: The values of the PAD[4:0] pins are latched to this register at power-up/reset. The first PHY address bit transmitted or received is the MSB of the address (bit 4). A station management entity connected to multiple PHY entities must know the appropriate address of each PHY. A PHY address of <00000> that is latched in to the part at power-up/reset will cause the Isolate bit of the PR0 (bit 10, register address 00h) to be set. After power up/reset the only way to enable or disable isolate mode is to set or clear the Isolate bit (bit 10) PR0. After power up/reset writing <00000> to bits [4:0] of this register will not cause the part to enter isolate mode.	[00001]	Strap, R/W
2	---	reserved	0	RO
1	MFPSE	MF Preamble Suppression Enable 1 = Accept management frames with pre-amble suppressed. 0 = Do not accept management frames with preamble suppressed. This bit also controls the value of bit 6 in PR1 (MFPS).	1	R/W
0	---	reserved	0	RO

7 DEVICE OPERATION

The STE100P integrates the IEEE802.3u compliant functions of PCS (Physical Coding Sub-layer), PMA (Physical Medium Attachment), and PMD(Physical Medium Dependent) for 100Base-TX, and the IEEE802.3 compliant functions of Manchester encoding/decoding and transceiver for 10Base-T. All the functions and operation schemes are described in the following sections.

7.1 100Base-TX Transmit Operation

Regarding the 100Base-TX transmission, the device provides the transmission functions of PCS, PMA, and PMD for encoding of MII data nibbles to five-bit code-groups (4B/5B), scrambling, serialization of scrambled code-groups, converting the serial NRZ code into NRZI code, converting the NRZI code into MLT3 code, and then driving the MLT3 code into the category 5 Unshielded Twisted Pair cable through an isolation transformer with the turns ratio of 1:1.

Data code-groups Encoder: In normal MII mode application, the device receives nibble type 4B data via the TxD0~3 inputs of the MII. These inputs are sampled by the device on the rising edge of Tx-clk and passed to the 4B/5B encoder to generate the 5B code-group used by 100Base-TX.

Idle code-groups: In order to establish and maintain the clock synchronization, the device needs to keep transmitting signals to the medium. The device will generate Idle code-groups for transmission when there is no real data want to be sent by MAC.

Start-of-Stream Delimiter-SSD (/J/K/): In a transmission stream, the first 16 nibbles are MAC preamble. In order to let partner delineate the boundary of a data transmission sequence and to authenticate carrier events, the device will replace the first 2 nibbles of the MAC preamble with /J/K/ code-groups.

End-of-Stream Delimiter-ESD (/T/R/): In order to indicate the termination of the normal data transmissions, the device will insert 2 nibbles of /T/R/ code-group after the last nibble of FCS.

Scrambling: All the encoded data(including the idle, SSD, and ESD code-groups) is passed to the data scrambler to reduce the EMI and spread the power spectrum using a 10-bit scrambler seed loaded at the beginning.

Data conversion of Parallel to Serial, NRZ to NRZI, NRZI to MLT3: After scrambled, the transmission data with 5B type in 25MHz will be converted to serial bit stream in 125MHz by the parallel to serial function. After serialized, the transmission serial bit stream will be further converted from NRZ to NRZI format. This NRZI conversion function can be bypassed, if the bit 7 of PR19 register is cleared as 0. After NRZI converted, the NRZI bit stream is passed through MLT3 encoder to generate the TP-PMD specified MLT3 code. With this MLT3 code, it lowers the frequency and reduces the energy of the transmission signal in the UTP cable and also makes the system easily to meet the FCC specification of EMI.

Wave-Shaper and Media Signal Driver: In order to reduce the energy of the harmonic frequency of transmission signals, the device provides the wave-shaper prior to the line driver to smooth but keep symmetric the rising/falling edge of transmission signals. The wave-shaped signals include the 100Base-TX and 10Base-T both are passed to the same media signal driver. This design can simplify the external magnetic connection with single one.

7.2 100Base-TX Receive Operation

Regarding the 100Base-TX receiving operation, the device provides the receiving functions of PMD, PMA, and PCS for receiving incoming data signals through category 5 UTP cable and an isolation transformer with turns ratio of 1: 1. It includes the adaptive equalizer and baseline wander, data conversions of MLT3 to NRZI, NRZI to NRZ and serial to parallel, the PLL for clock and data recovery, the de-scrambler, and the decoder of 5B/4B.

Adaptive Equalizer and Baseline Wander: Since the high speed signals over the unshielded (or shielded) twisted Pair cable will induce the amplitude attenuation and phase shifting. Furthermore, these effects are depends on the signal frequency, cable type, cable length and the connectors of the cabling. So a reliable adaptive equalizer and baseline wander to compensate all the amplitude attenuation and phase shifting are necessary. In the transceiver, it provides the robust circuits to perform these functions.

MLT3 to NRZI Decoder and PLL for Data Recovery: After receiving the proper MLT3 signals, the device converts the MLT3 to NRZI code for further processing. After adaptive equalizer, baseline wander, and MLT3 to NRZI decoder, the compensated signals with NRZI type in 125MHz are passed to the Phase Lock Loop circuits to extract out the original data and synchronous clock.

Data Conversions of NRZI to NRZ and Serial to Parallel: After data is recovered, the signals will be passed to the NRZI to NRZ converter to generate the 125 MHz serial bit stream. This serial bit stream will be packed to parallel 5B type for further processing. The NRZI to NRZ conversion can be bypassed, if the bit 7 of PR19 register is cleared as 0.

De-scrambling and Decoding of 5B/4B: The parallel 5B type data is passed to de-scrambler and 5B/4B decoder to return their original MII nibble type data.

Carrier sensing: Carrier Sense(CRS) signal is asserted when the STE100P detects any 2 non-contiguous zeros within any 10 bit boundary of the receiving bit stream. CRS is de-asserted when ESD code-group or Idle code-group is detected. In half duplex mode, CRS is asserted during packet transmission or receive. But in full duplex mode, CRS is asserted only during packet reception.

7.3 10Base-T Transmit Operation

This includes the parallel to serial converter, Manchester Encoder, Link test function, Jabber function and the transmit wave-shaper and line driver described in the section of "Wave-Shaper and Media Signal Driver" of "100BASE-T Transmission Operation". It also provides Collision detection and SQE test for half duplex application.

7.4 10Base-T Receive Operation

This includes the carrier sense function, receiving filter, PLL for clock and data recovering, Manchester decoder, and serial to parallel converter.

7.5 Loop-back Operation

The STE100P provides internal loop-back option for both the 100Base-TX and 10Base-T operations. Setting bit 14 of PR0 register to 1 can enable the loop-back option. In this loop-back operation, the txp/txn and rxp/rxn lines are isolated from the media. The STE100P also provides remote loop-back operation for 100Base-TX operation. Setting bit 9 of PR19 register to 1 enables the remote loop-back operation.

In the 100Base-TX internal loop-back operation, the data comes from the transmit output of NRZ to NRZI converter then loop-back to the receive path into the input of NRZI to NRZ converter.

In the 100Base-TX remote loop-back operation, the data is received from rxp/rxn pins through receive path to the output of data and clock recover and then loop-back to the input of NRZI to MLT3 converter of transmit path then transmit out to the medium via the transmit line drivers.

In the 10Base-T loop-back operation, the data is through transmit path and loop-back from the output of the Manchester encoder into the input of Phase Lock Loop circuit of receive path.

7.6 Full Duplex and Half Duplex Operation

The STE100P can operate for either full duplex or half duplex network application. In full duplex, both transmit and receive can be operated simultaneously. Under full duplex mode, collision(COL) signal is ignored and carrier sense(CRS) signal is asserted only when the STE100P is receiving.

In half duplex mode, either transmit or receive can be operated at one time. Under half duplex mode, collision signal is asserted when transmit and receive signals collided and carrier sense asserted during transmission and reception.

7.7 Auto-Negotiation Operation

The Auto-Negotiation function is designed to provide the means to exchange information between the STE100P and the network partner to automatically configure both to take maximum advantage of their abilities, and both are setup accordingly. The Auto-Negotiation function can be controlled through ANE, bit 12 of the PR0 register, or the MF0 pin 5.

Auto-Negotiation exchanges information with the network partner using the Fast Link Pulses(FLPs) - a burst of link pulses. There are 16 bits of signaling information contained in the burst pulses to advertise all remote partner's capabilities which are determined by the register of PR4. According to this information they find out their highest common capability by following the priority sequence as below:

1. 100Base-TX full duplex
2. 100Base-TX half duplex
3. 10Base-T full duplex
4. 10Base-T half duplex

During power-up or reset, if Auto-Negotiation is found enabled then FLPs will be transmitted and the Auto-Negotiation function will proceed. Otherwise, the Auto-Negotiation will not occur until the bit 12 of PR0 register is set to 1. When Auto-Negotiation is disabled, then the Network Speed and Duplex Mode are selected by programming PR0 register.

7.8 Power Down Operation

To reduce the power consumption, the STE100P is designed with a power down feature, which can save the power consumption significantly. Since the power supply of the 100Base-TX and 10Base-T circuits are separated, the STE100P can turn off the circuit of either the 100Base-TX or 10Base-T when the other one of them is operating. There is also a Power Down mode which can be selected by PDEN in register PR0 bit 11. During the Power Down mode, TXP/TXN outputs and all LED outputs are 3-stated, and the MII interface is isolated. During Power Down mode the MII management interface is still available for reading and writing device registers. Power Down mode can be exited by clearing bit 11 of register PR0 or by a hardware or software reset (setting PR0:15=1).

7.9 LED Display Operation

The STE100P provides 5 LED pins, the detail descriptions about the operation are described in the PIN Description section, and as follows.

- Speed LED: 100Mbps(on) or 10Mbps(off)
- Receive LED: Blinks at 10Hz when receiving, but not colliding
- Transmit LED: Blinks at 10Hz when transmitting, but not colliding
- Link LED: On when 100M or 10M link ok
- Collision LED: Blinks at 20Hz to indicate a collision

7.10 Reset Operation

There are two ways to reset the STE100P. First, for hardware reset, the STE100P can be reset via RESET pin (pin 28). The active low Reset input signal is required at least 1 ms to ensure proper reset operation. Second, for software reset, when bit 15 of register PR0 is set to 1, the STE100P will reset entire circuits and registers to their default values, then clear the bit 15 of PR0 to 0, and set the RIP output pin 29 to logic 1. Both hardware and software reset operations initialize all registers to their default values. This process includes re-evaluation of all hardware-configurable registers. Logic levels on several I/O pins are detected during hardware reset period to determine the initial functionality of STE100P. Some of these pins are used as outputs after the reset operation. Care must be taken to ensure that the configuration setup will not interfere with normal operation. Dedicated configuration pins can be tied to the Vcc or ground directly. Configuration pins multiplexed with LED outputs should be weakly pulled up or weakly pulled down through resistors as shown in the following circuits.

Figure 5.

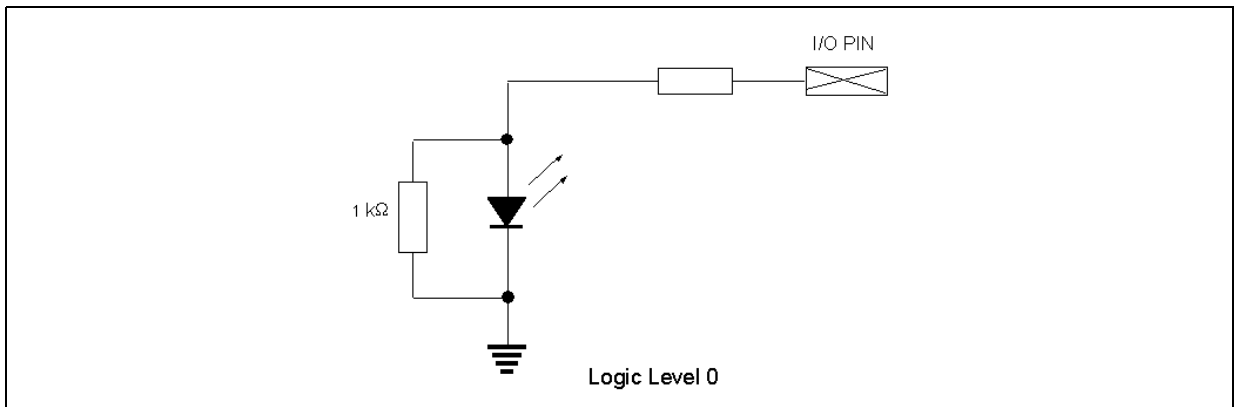
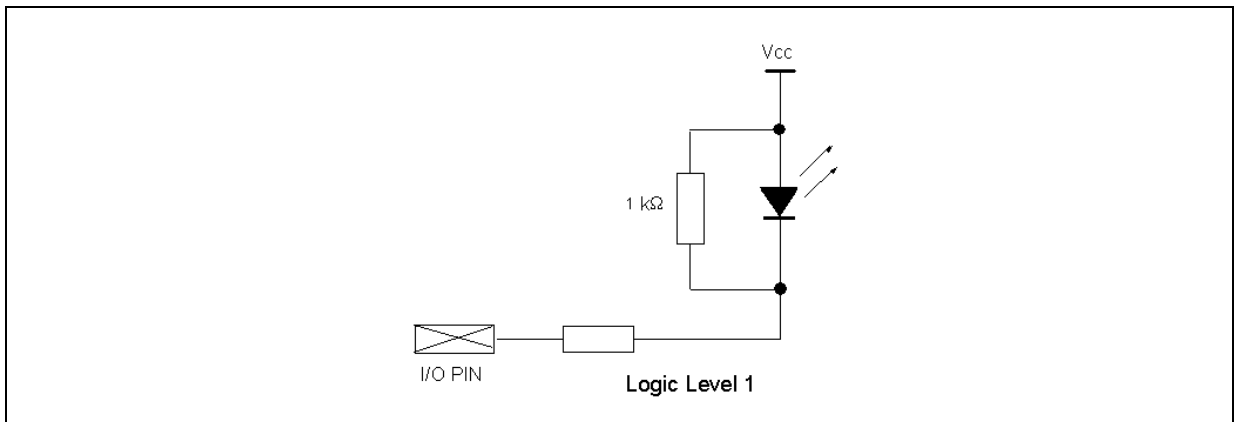


Figure 6.



Note:

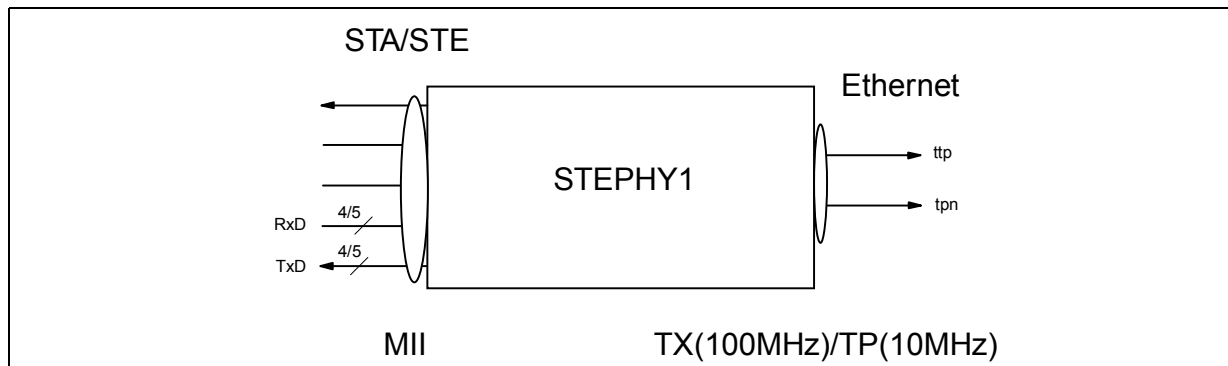
The above LED connections are recommended for setting a Logic Level 1 or Logic Level 0 on the STE100P LED/PHY Address pins, for determining PHY address.

7.11 Preamble Suppression

Preamble suppression mode in the STEPHY1 is indicated by a one in bit six of the PR1 Register. If it is determined that all PHY devices in the system support preamble suppression, then a preamble is not necessary for each management transaction. The first transaction following power-up/hardware reset requires 32 bits of preamble. The full 32 bit preamble is not required for each additional transaction. The STEPHY1 will respond to management accesses without preamble, but a minimum of one idle bit between management transactions is required as specified in IEEE 802.3u.

7.12 Remote Fault

The remote fault function indicates to a link partner that a fault condition has occurred by using the Remote Fault bit, which is encoded in bit 13 of the Link Code Word. A local device indicates to its link partner that it has found a fault by setting the Remote Fault bit in the Auto-Negotiation register to logic one and renegotiating with the link partner. The Remote Fault bit remains at logic one until successful negotiation with the Link Code Word occurs. The bit will then return to 0. When the message is sent that the Remote Fault bit is set to logic one, the device will set the Remote Fault bit in the MII to logic one if the management function is present.

7.13 Transmit Isolation**Figure 7.**

8 ELECTRICAL SPECIFICATIONS AND TIMINGS

Table 6. Absolute Maximum Ratings

Parameter	Value
Supply Voltage(Vcc)	-0.5 V to 7.0 V
Input Voltage	-0.5 V to VCC + 0.5 V
Output Voltage	-0.5 V to VCC + 0.5 V
Storage Temperature	-65 °C to 150 °C(-85°F to 302°F)
Ambient Temperature	(-40)°C to +85°C)
ESD Protection	2000V

Table 7. General DC Specifications

Symbol	Parameter	Test Condition	Min.	Typ.	Max.	Units
General DC						
Vcc	Supply Voltage		3.15	3.3	3.45	V
10Base-T Voltage/Current Characteristics						
Vida10	Input Differential Accept Peak Voltage	5MHz ~ 10MHz	585		3100	mV
Vidr10	Input Differential Reject Peak Voltage	5MHz ~ 10MHz	0		585	mV
Vod10	Output Differential Peak Voltage		2200		2800	mV
Icc10	Supply Current	100% utilization, min. IPG, Vcc=3.3V, including TX output driver		90		mA
100Base-TX Voltage/Current Characteristics						
Vida100	Input Differential Accept Peak Voltage		200		1000	mV
Vidr100	Input Differential Reject Peak Voltage		0		200	mV
Vod100	Output Differential Peak Voltage		950		1050	mV
Icc100	Supply Current	100% utilization, min. IPG, Vcc=3.3V, including TX output driver		100		mA

Table 8. AC Specifications

Symbol	Parameter	Test Condition	Min.	Typ.	Max.	Units
X1 Specifications						
TX1d	X1 Duty Cycle		45	50	55	%
TX1p	X1 Period			30		ns
TX1t	X1 Tolerance			±50		PPM
TX1CL	X1 Load Capacitance				18	pF
10Base-T Normal Link Pulse (NLP) Timings Specifications						
TNPW	NLP Width	10Mbps		100		ns
TNPC	NLP Period	10Mbps	8		24	ms

Figure 8. Normal Link Pulse timings

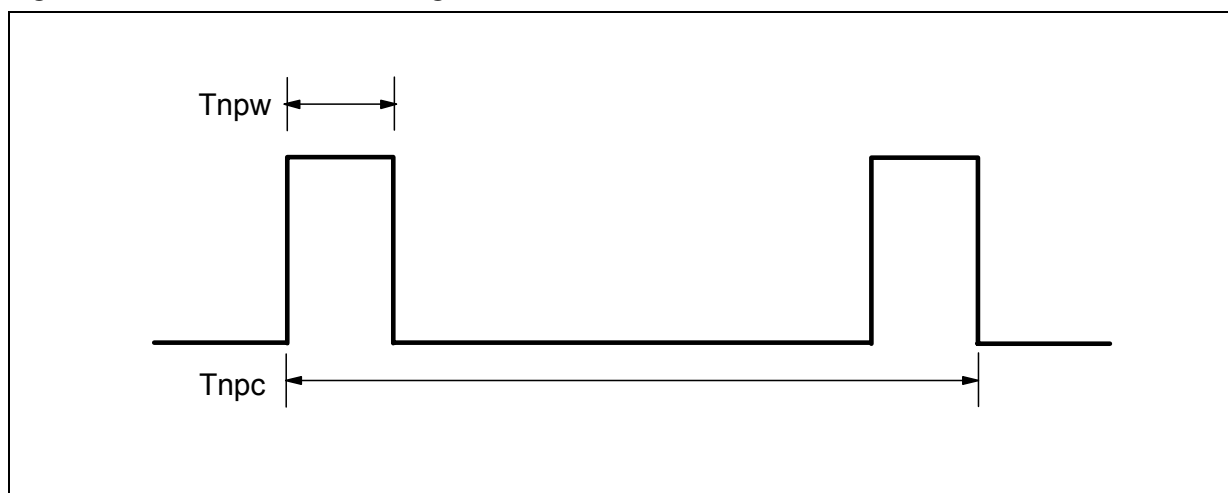


Table 8. AC Specifications

Symbol	Parameter	Test Condition	Min.	Typ.	Max.	Units
Auto-Negotiation Fast Link Pulse (FLP) Timings Specifications						
Tflpw	FLP Width			100		ns
Tflcpp	Clock pulse to clock pulse period		111	125	139	μs
Tflcpd	Clock pulse to Data pulse period		55.5	62.5	69.5	μs
-	Number of pulses in one burst		17		33	pulse
Tflbw	Burst Width			2		ms
Tflbp	FLP Burst period		8	16	24	ms

Figure 9. Fast Link Pulse timing

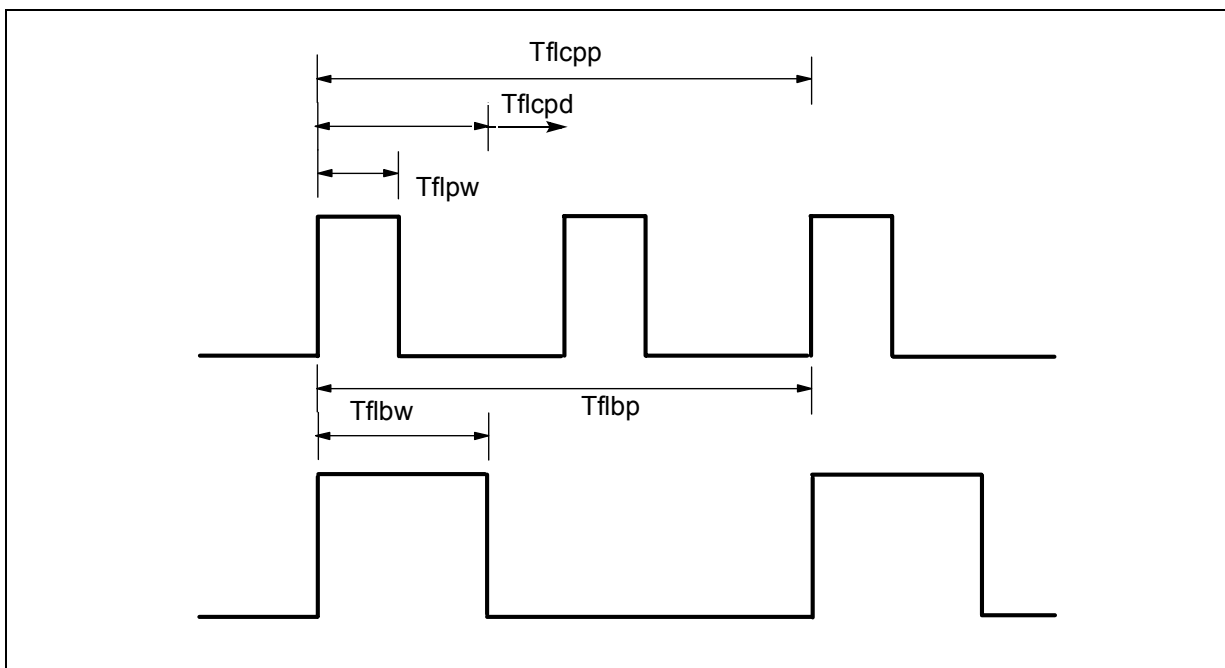


Table 8. AC Specifications

Symbol	Parameter	Test Condition	Min.	Typ.	Max.	Units
100Base-TX Transmitter AC Timings Specification						
Tjit	TDP-TDN Differential Output Peak Jitter				1.4	ps
MII Management Clock Timing Specifications						
t1	MDC High Pulse Width		200		—	ns
t2	MDC Low Pulse Width		200		—	ns
t3	MDC Period		400		—	ns
t4	MDIO(I) Setup to MDC Rising Edge		10		—	ns
t5	MDIO(I) Hold Time from MDC Rising Edge		10		—	ns
t6	MDIO(O) Valid from MDC Rising Edge		0		300	ns

Figure 10. MII Management Clock Timing

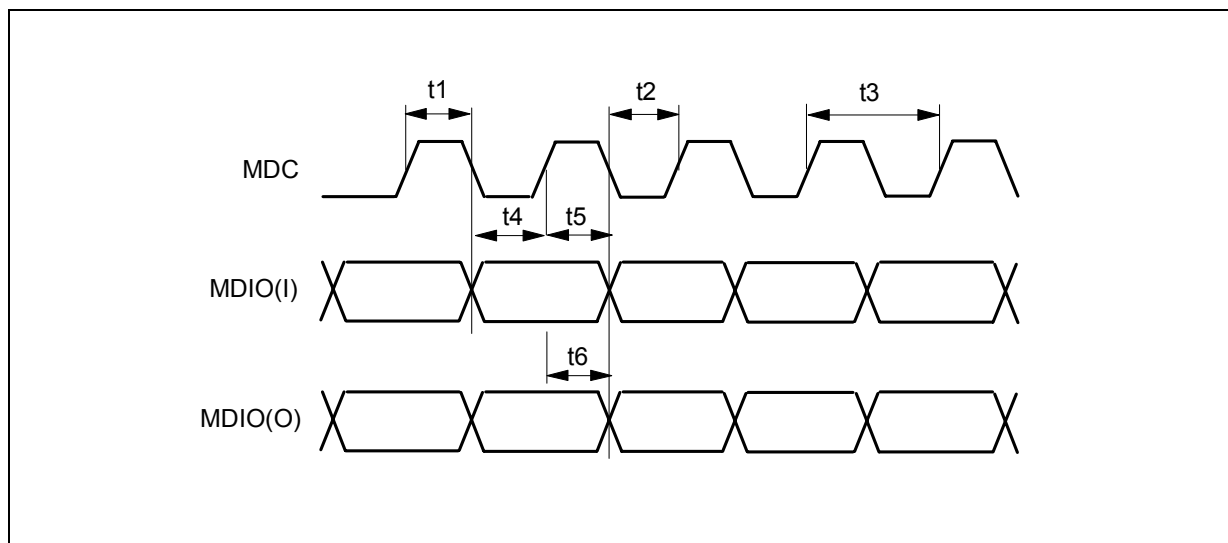


Table 8. AC Specifications

Symbol	Parameter	Test Condition	Min.	Typ.	Max.	Units
MII Receive Timing Specification						
t1	RX-ER, RX-DV, RXD[3:0] Setup to RX-CLK		10		—	ns
t2	RX-ER, RX-DV, RXD[3:0] Hold After RX-CLK		10		—	ns
t3	RX-CLK High Pulse Width (100 Mb/s)		14		26	ns
	RX-CLK High Pulse Width (10 Mb/s)			200		ns
t4	RX-CLK Low Pulse Width (100 Mb/s)		14		26	ns
	RX-CLK Low Pulse Width (10 Mb/s)		140		260	ns
t5	RX-CLK Period (100 Mb/s)			40		ns
	RX-CLK Period (10 Mb/s)			400		ns

Figure 11. MII Receive Timing

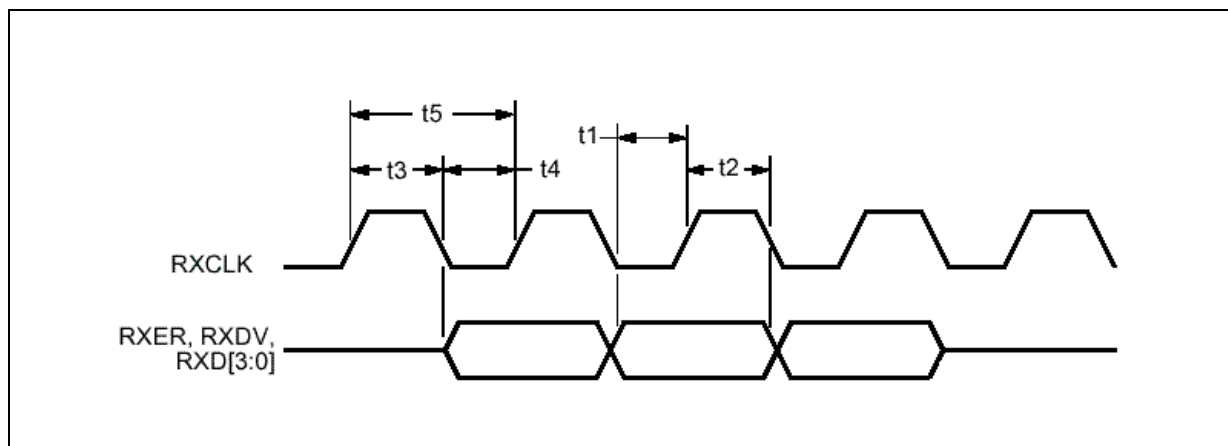


Table 8. AC Specifications

Symbol	Parameter	Test Condition	Min.	Typ.	Max.	Units
MII Transmit Timing Specification						
t1	TX-ER, TX-EN, TXD[3:0] Setup to TX-CLK Rise		10		—	ns
t2	TX-ER, TX-EN, TXD[3:0] Hold After TX-CLK Rise		0		25	ns

Figure 12. MII Transmit Timing

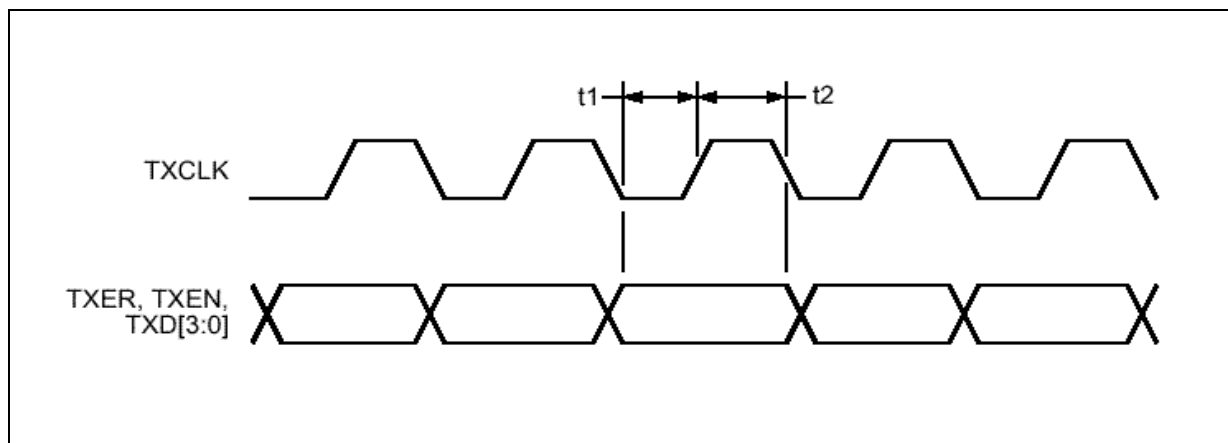


Table 8. AC Specifications

Symbol	Parameter	Test Condition	Min.	Typ.	Max.	Units
Receive Timing Specification						
Rt1	Receive Frame to Sampled Edge of RX-DV (100 Mbits/s)		—		300	ns
	Receive Frame to Sampled Edge of RX-DV (10 Mbits/s)		—		4	us
Rt2	Receive Frame to CRS High (100Mbits/s)		—		250	ns
	Receive Frame to CRS High (10 Mbits/s)		—		3.5	us
Rt3	End of Receive Frame to Sampled Edge of RX-DV (100 Mbits/s)		—		200	ns
	End Receive Frame to Sampled Edge of RX-DV (10 Mbits/s)		—		1	us
Rt4	End of Receive Frame to CRS Low (100 Mbits/s)		—		300	ns
	End of Receive Frame to CRS Low (10 Mbits/s)		—		1	us

Figure 13. Receive Timing

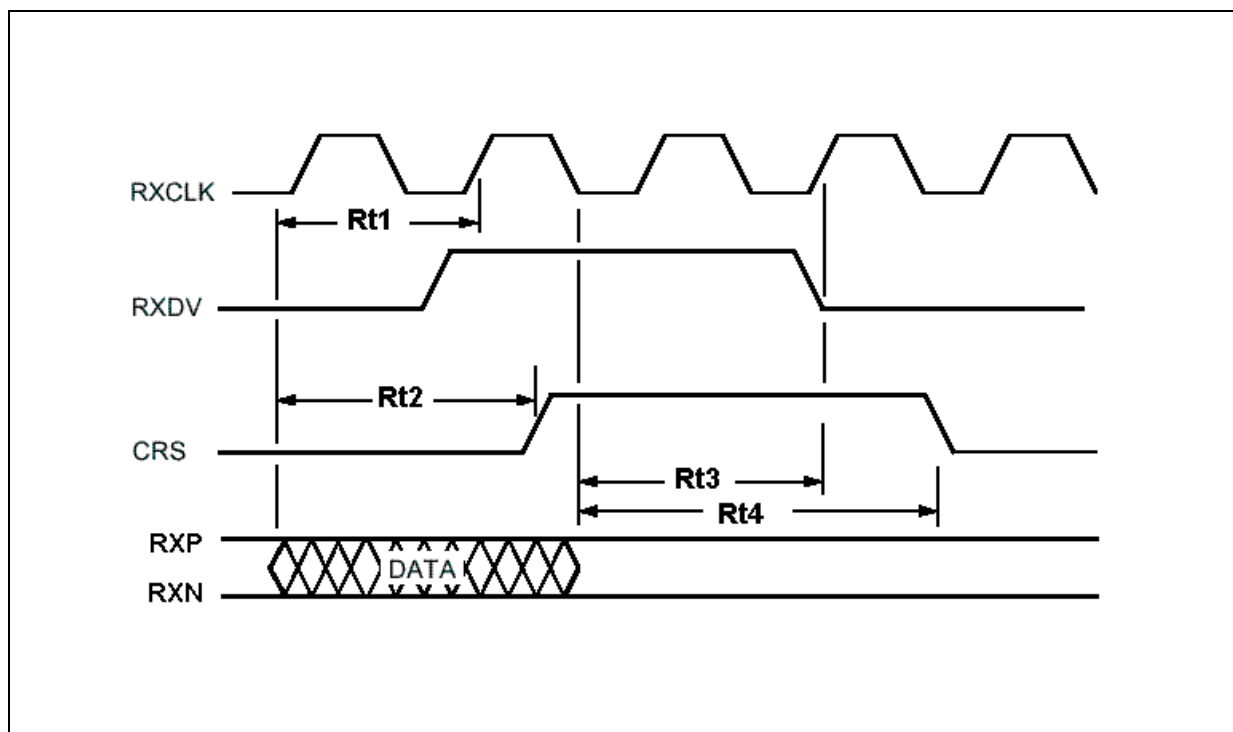


Table 8. AC Specifications

Symbol	Parameter	Test Condition	Min.	Typ.	Max.	Units
Transmit Timing Specification						
t1	TX-EN Sampled to CRS High (100 Mbits/s)		0		40	ns
	TX-EN Sampled to CRS High (10 Mbits/s)		—		4	us
t2	TX-EN Sampled to CRS Low (100 Mbits/s)		0		160	ns
	TX-EN Sampled to CRS Low (10 Mbits/s)			1		us
t3	Transmit Latency (100 Mbits/s)		60		140	ns
	Transmit Latency (10 Mbits/s)			400		ns
t4	Sampled TX-EN Inactive to End of Frame (100 Mbits/s)		—		170	ns
	Sampled TX-EN Inactive to End of Frame (10 Mbits/s)		—		500	ns

Figure 14. Transmit Timing

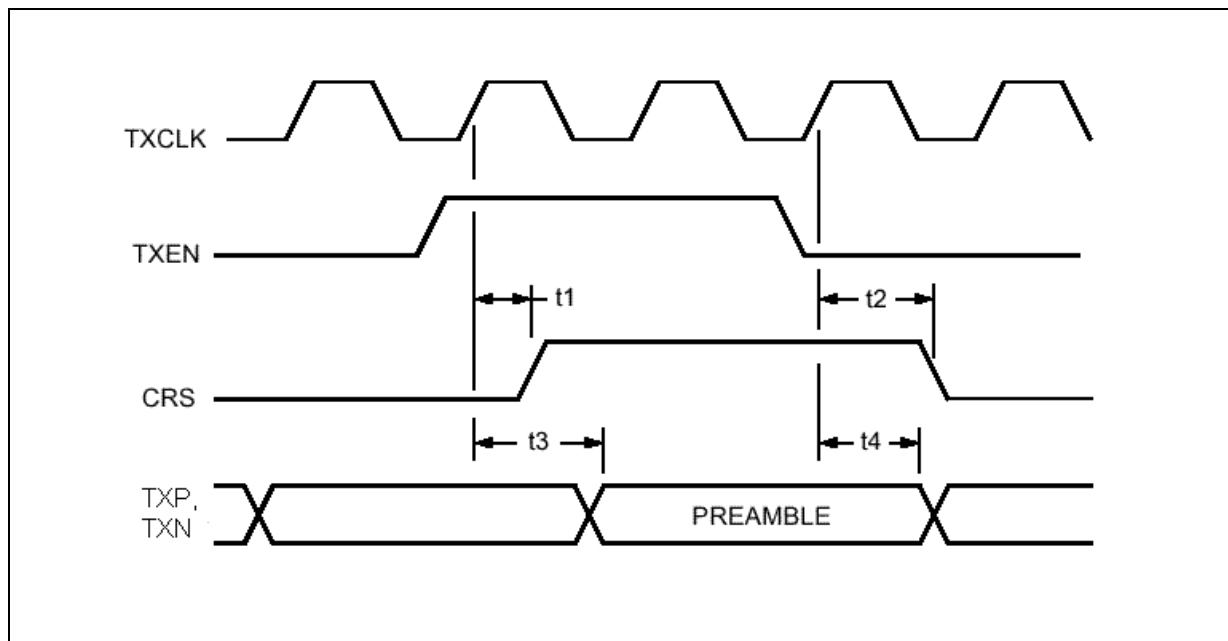


Figure 15. 100BaseT Transmit Timing

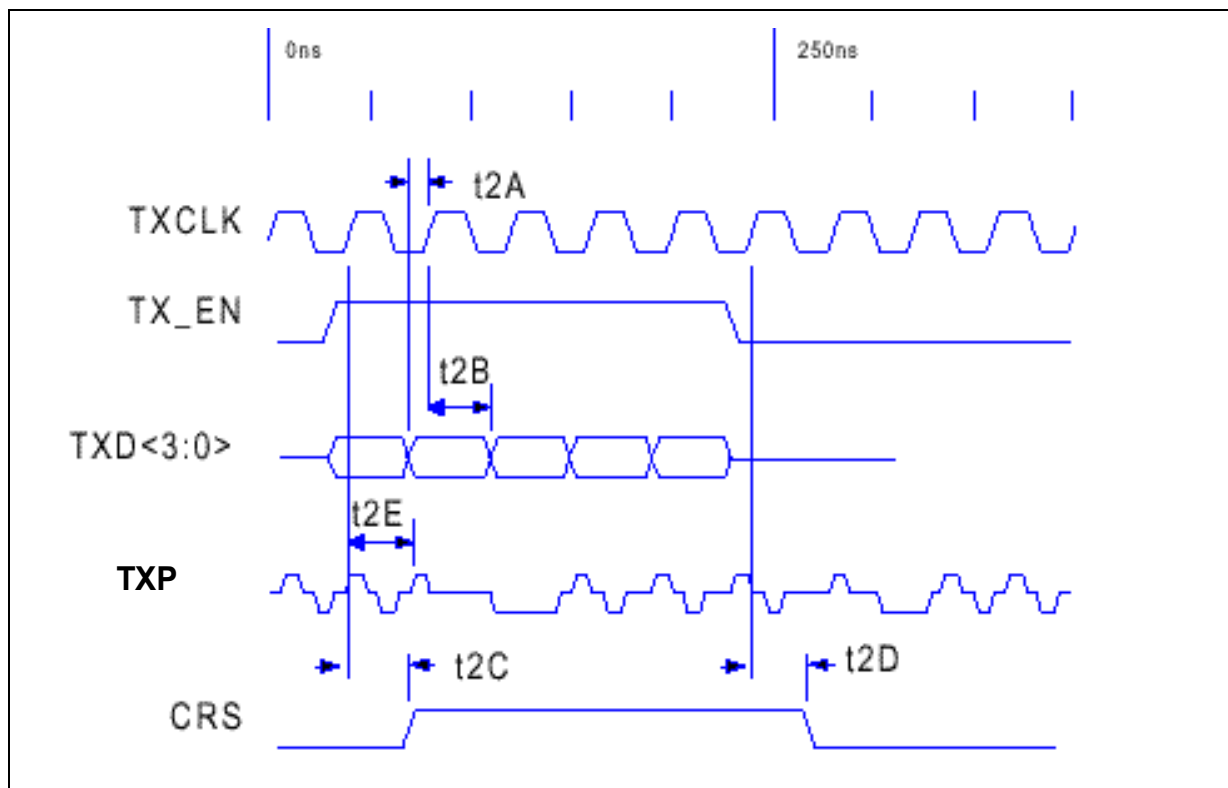


Table 9.

Parameter	Sym	Min	Typ	Max	Units
TXD, TX_EN, TX_ER Setup to TX_CLK High	t2A	10	-	-	ns
TXD, TX_EN, TX_ER Hold from TX_CLK High	t2B	5	-	-	ns
TX_EN sampled to CRS asserted	t2C	-	30	40	ns
TX_EN sampled to CRS de-asserted	t2D	-	40	160	ns
TX_EN sampled to TXP out (Tx latency)	t2E	60	100	140	ns

BT is the duration of one bit as transferred to and from the MAC and is the reciprocal of the bit rate.

Figure 16. 10Base-T Half Duplex Transmit Timing

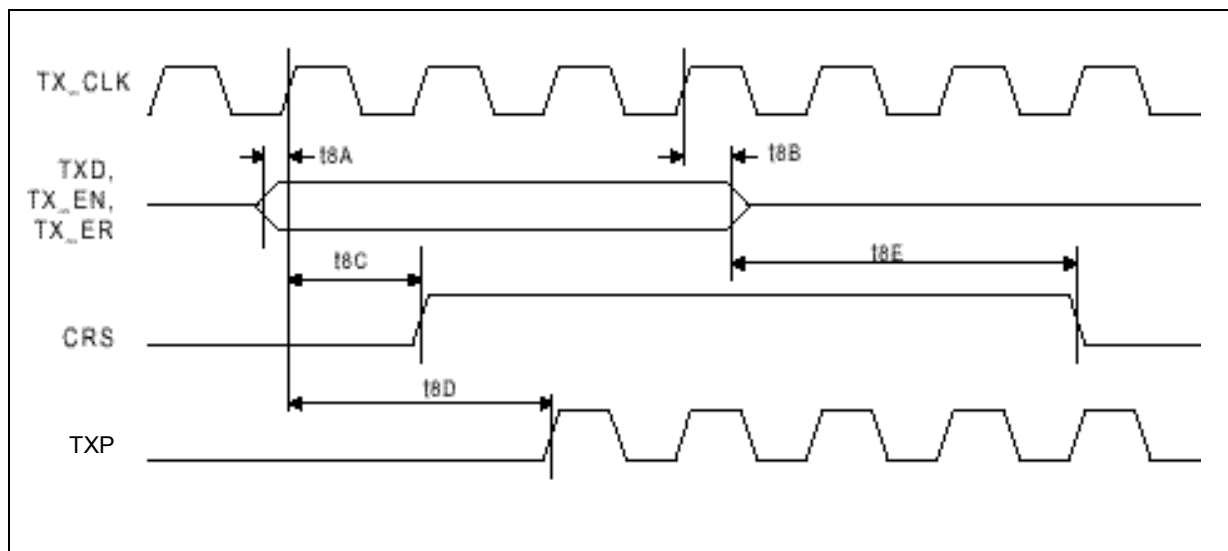


Table 10.

Parameter	Sym	Min	Typ	Max	Units
TXD, TX_EN, TX_ER Setup to TX_CLK High	t8A	10	-	-	ns
TXD, TX_EN, TX_ER Hold from TX_CLK High	t8B	5	-	-	ns
TX_EN sampled to CRS asserted	t8C	-	0	4	us
TX_EN sampled to CRS de-asserted	t8E	-	1		us
TX_EN sampled to TXP out (Tx latency)	t8D	-	400		ns

9 PACKAGE INFORMATION

In order to meet environmental requirements, ST offers these devices in ECOPACK® packages. These packages have a Lead-free second level interconnect. The category of second Level Interconnect is marked on the package and on the inner box label, in compliance with JEDEC Standard JESD97.

The maximum ratings related to soldering conditions are also marked on the inner box label. ECOPACK is an ST trademark. ECOPACK specifications are available at: www.st.com.

Figure 17. TQFP64 (10x10x1.4mm) Mechanical Data & Package Dimensions

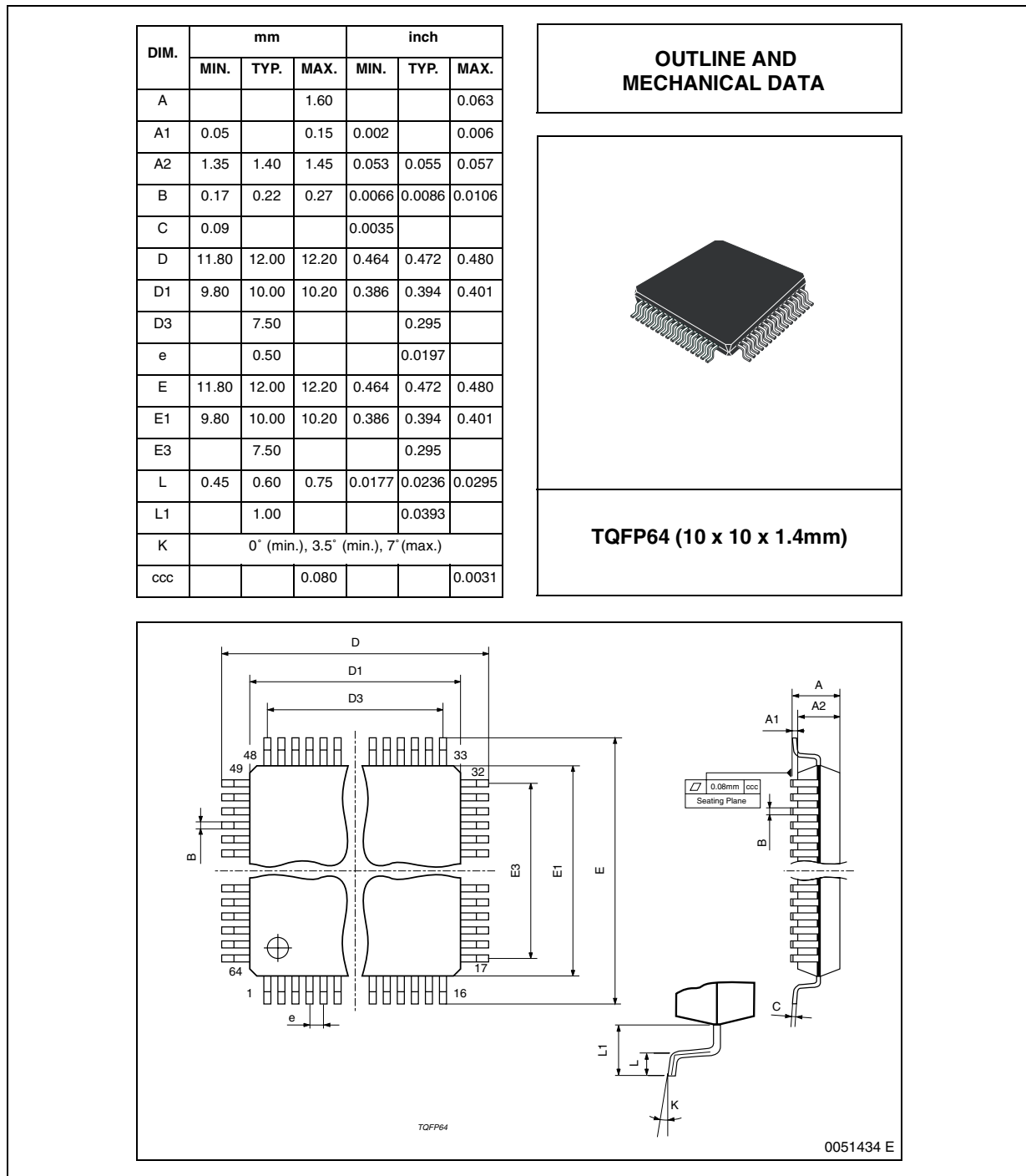


Table 11. Revision History

Date	Revision	Description of Changes
January 2004	15	Rev. A12 June 2003 has been migrated from ST-PRESS to EDOCS.
June 2004	16	Changed the Style-sheet on the Rev. A13.
August 2004	17	Wrong package corrected.
September 2004	18	Due to Rev. 17 content was partially wrong. Now fixed.
February 2005	19	Added part number "E-STE100P" (ECOPACK).

Information furnished is believed to be accurate and reliable. However, STMicroelectronics assumes no responsibility for the consequences of use of such information nor for any infringement of patents or other rights of third parties which may result from its use. No license is granted by implication or otherwise under any patent or patent rights of STMicroelectronics. Specifications mentioned in this publication are subject to change without notice. This publication supersedes and replaces all information previously supplied. STMicroelectronics products are not authorized for use as critical components in life support devices or systems without express written approval of STMicroelectronics.

The ST logo is a registered trademark of STMicroelectronics.
All other names are the property of their respective owners

© 2006 STMicroelectronics - All rights reserved

STMicroelectronics group of companies

Australia - Belgium - Brazil - Canada - China - Czech Republic - Finland - France - Germany - Hong Kong - India - Israel - Italy - Japan -
Malaysia - Malta - Morocco - Singapore - Spain - Sweden - Switzerland - United Kingdom - United States of America

www.st.com

Mouser Electronics

Authorized Distributor

Click to View Pricing, Inventory, Delivery & Lifecycle Information:

[STMicroelectronics:](#)

[STE100P](#) [E-STE100P](#)