

N-channel 100 V, 1.9 mΩ typ., 180 A, STripFET™ F7 Power MOSFETs in H²PAK-2 and H²PAK-6 packages

Datasheet - production data

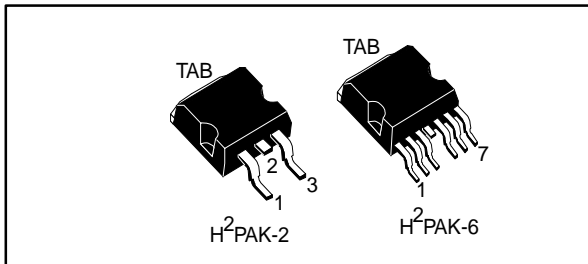
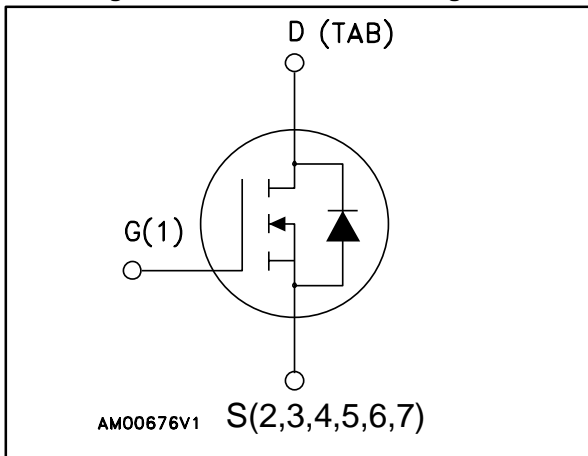


Figure 1: Internal schematic diagram



Features

Order code	V _{DS}	R _{DS(on)} max.	I _D
STH310N10F7-2	100 V	2.3 mΩ	180 A
STH310N10F7-6			

- Among the lowest R_{DS(on)} on the market
- Excellent figure of merit (FoM)
- Low C_{rss}/C_{iss} ratio for EMI immunity
- High avalanche ruggedness

Applications

- Switching applications

Description

These N-channel Power MOSFETs utilize STripFET™ F7 technology with an enhanced trench gate structure that results in very low on-resistance, while also reducing internal capacitance and gate charge for faster and more efficient switching.

Table 1: Device summary

Order code	Marking	Package	Packing
STH310N10F7-2	310N10F7	H ² PAK-2	Tape and reel
STH310N10F7-6		H ² PAK-6	

Contents

1	Electrical ratings	3
2	Electrical characteristics	4
	2.1 Electrical characteristics (curves).....	6
3	Test circuits	8
4	Package information	9
	4.1 H2PAK-2 package information	10
	4.2 H2PAK-6 package information	13
	4.3 Packing information.....	16
5	Revision history	18

1 Electrical ratings

Table 2: Absolute maximum ratings

Symbol	Parameter	Value	Unit
V _{DS}	Drain-source voltage	100	V
V _{GS}	Gate-source voltage	± 20	V
I _D ⁽¹⁾	Drain current (continuous) at T _C = 25 °C	180	A
	Drain current (continuous) at T _C = 100 °C	180	A
I _D ⁽²⁾	Drain current (pulsed)	720	A
P _{TOT}	Total dissipation at T _C = 25 °C	315	W
E _{AS} ⁽³⁾	Single pulse avalanche energy (T _J = 25 °C L = 0.55 mH, I _{AS} = 65 A)	1	J
T _J	Operating junction temperature	-55 to 175	°C
T _{stg}	Storage temperature		°C

Notes:

- (1)Current limited by package
- (2)Pulse width limited by safe operating area
- (3)Starting T_J = 25 °C, I_D = 60 A, V_{DD} = 50 V

Table 3: Thermal data

Symbol	Parameter	Value	Unit
R _{thj-case}	Thermal resistance junction-case	0.48	°C/W
R _{thj-pcb} ⁽¹⁾	Thermal resistance junction-pcb	35	°C/W

Notes:

- (1)When mounted on FR-4 board of 1 inch², 2 oz Cu

2 Electrical characteristics

(T_{CASE} = 25 °C unless otherwise specified)

Table 4: On/off-state

Symbol	Parameter	Test conditions	Min.	Typ.	Max.	Unit
V _{(BR)DSS}	Drain-source breakdown voltage (V _{GS} = 0)	I _D = 250 μA	100			V
I _{DSS}	Zero gate voltage drain current (V _{GS} = 0)	V _{DS} = 100 V			1	μA
		V _{DS} = 100 V; T _C = 125 °C			100	μA
I _{GSS}	Gate body leakage current (V _{DS} = 0)	V _{GS} = 20 V			100	nA
V _{GS(th)}	Gate threshold voltage	V _{DS} = V _{GS} , I _D = 250 μA	2.5	3.5	4.5	V
R _{DS(on)}	Static drain-source on-resistance	V _{GS} = 10 V, I _D = 60 A		1.9	2.3	mΩ

Table 5: Dynamic

Symbol	Parameter	Test conditions	Min.	Typ.	Max.	Unit	
C _{iss}	Input capacitance	V _{DS} = 25 V, f = 1 MHz, V _{GS} = 0	-	12800	-	pF	
C _{oss}	Output capacitance			3500		pF	
C _{rss}	Reverse transfer capacitance			170		pF	
Q _g	Total gate charge			V _{DD} = 50 V, I _D = 180 A		180	nC
Q _{gs}	Gate-source charge			V _{GS} = 10 V		78	nC
Q _{gd}	Gate-drain charge			See Figure 14: "Gate charge test circuit"		34	nC

Table 6: Switching times

Symbol	Parameter	Test conditions	Min.	Typ.	Max.	Unit
t _{d(on)}	Turn-on delay time	V _{DD} = 50 V, I _D = 90 A, R _G = 4.7 Ω, V _{GS} = 10 V See Figure 13: "Switching times test circuit for resistive load"	-	62	-	ns
t _r	Rise time			108		ns
t _{d(off)}	Turn-off delay time			148		ns
t _f	Fall time			40		ns

Table 7: Source-drain diode

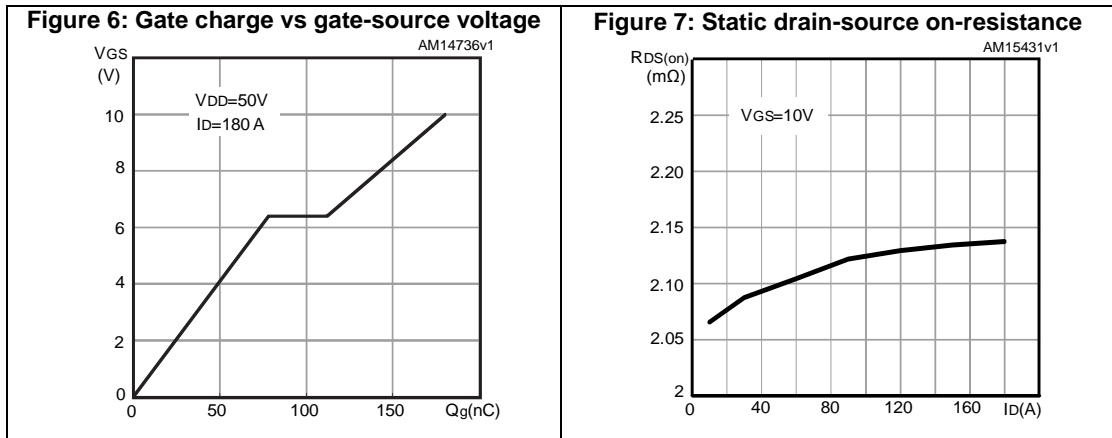
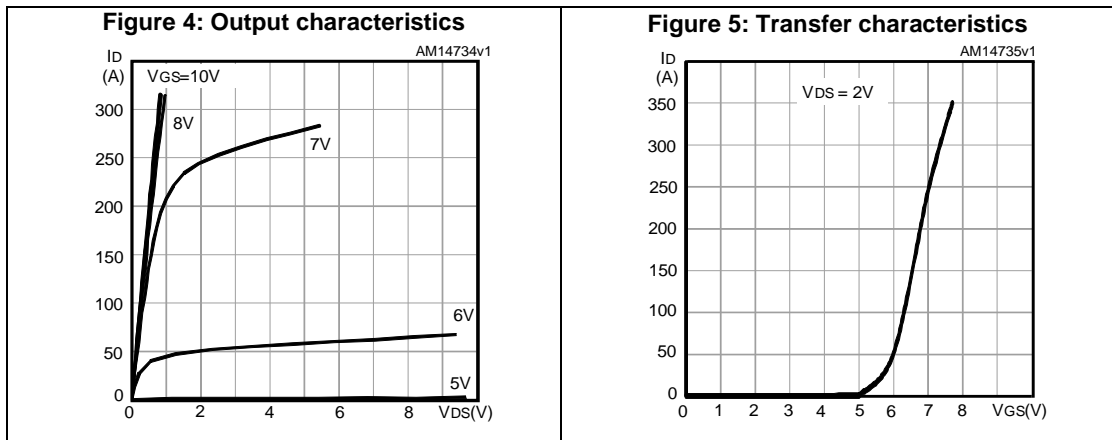
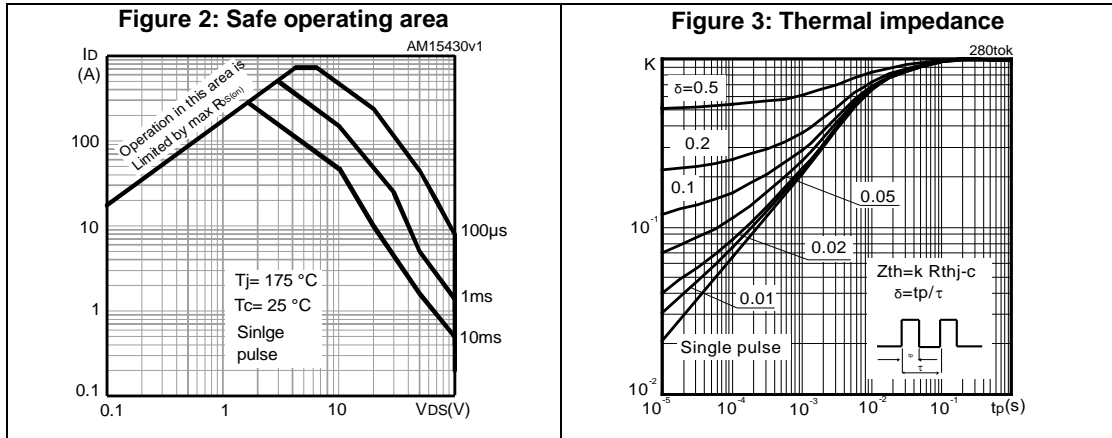
Symbol	Parameter	Test conditions	Min.	Typ.	Max.	Unit		
I_{SD}	Source-drain current		-		180	A		
$I_{SDM}^{(1)}$	Source-drain current (pulsed)				720	A		
$V_{SD}^{(2)}$	Forward on voltage	$I_{SD} = 60 \text{ A}, V_{GS} = 0$				1.5	V	
t_{rr}	Reverse recovery time	$I_{SD} = 180 \text{ A},$ $di/dt = 100 \text{ A}/\mu\text{s},$ $V_{DD} = 80 \text{ V}, T_j = 150 \text{ }^\circ\text{C}$			85		ns	
Q_{rr}	Reverse recovery charge					200		nC
I_{RRM}	Reverse recovery current					4.7		A

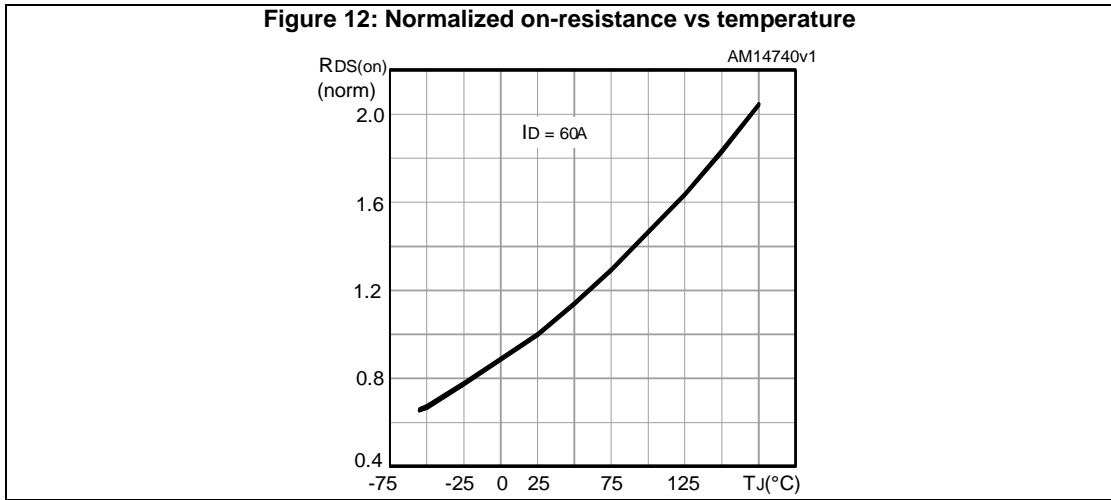
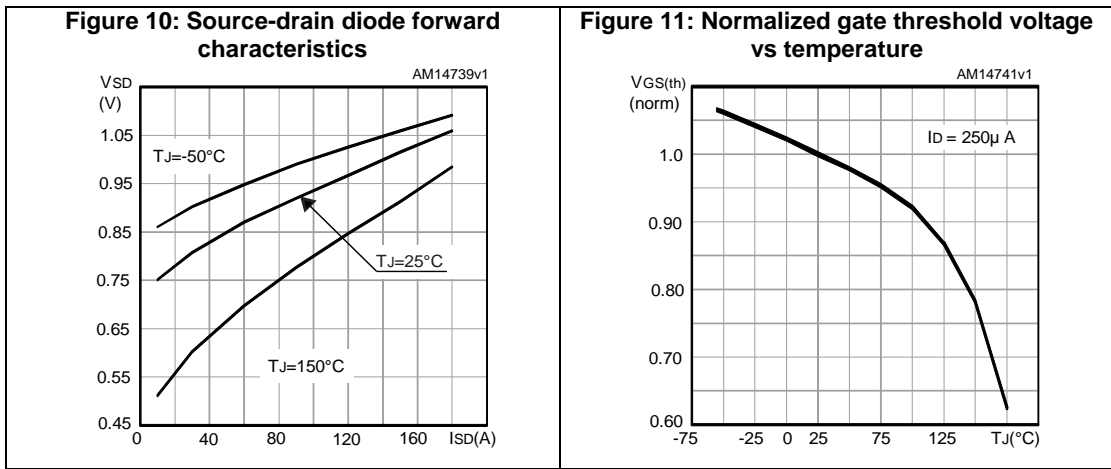
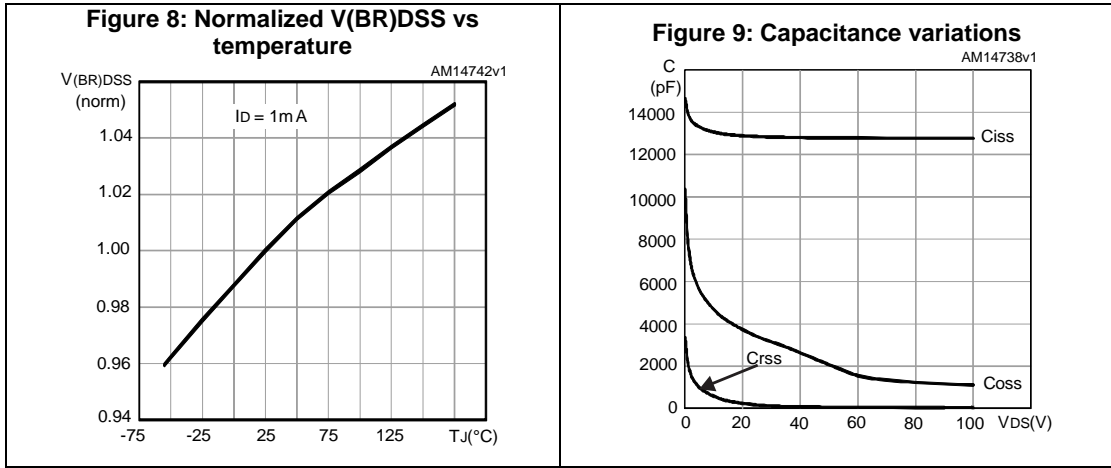
Notes:

(1)Pulse width limited by safe operating area

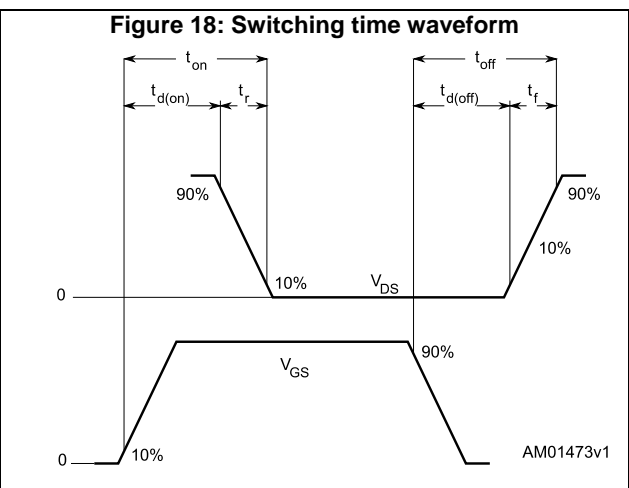
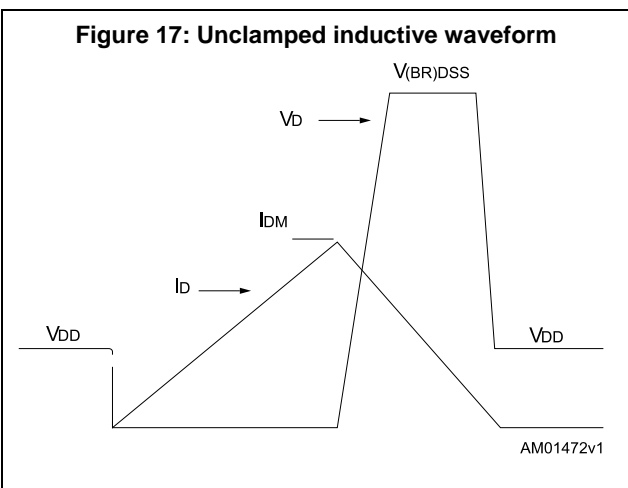
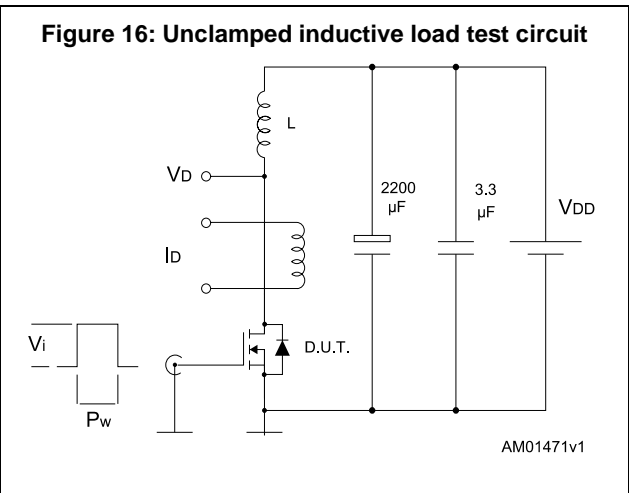
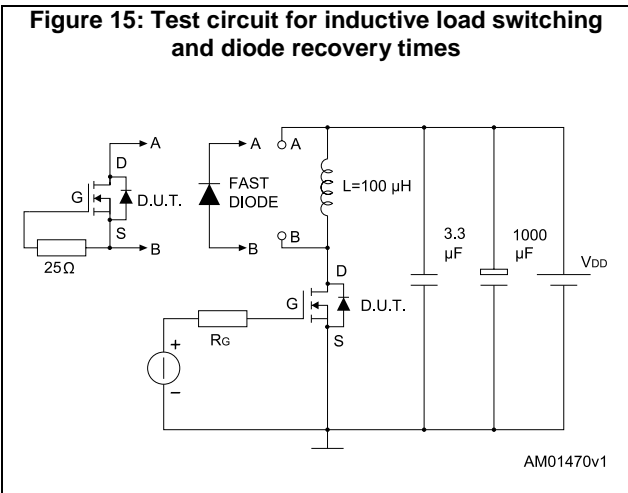
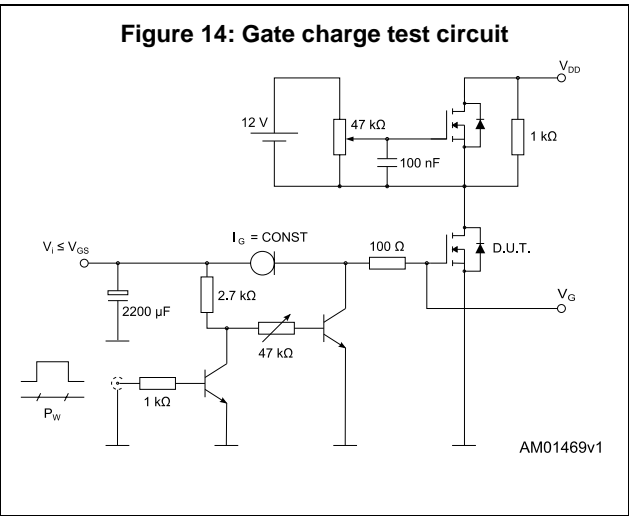
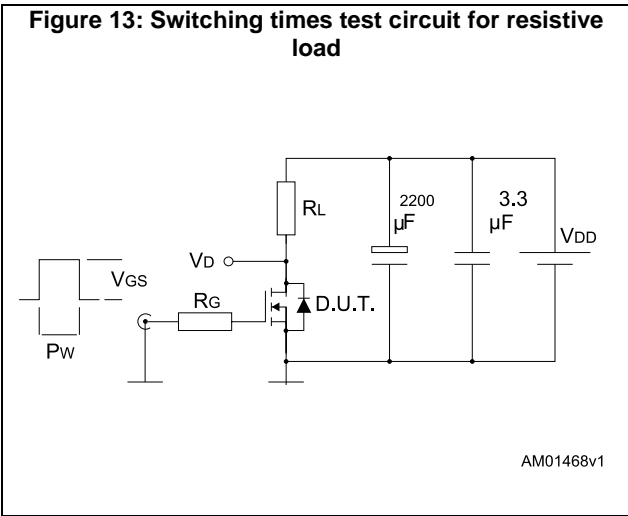
(2)Pulsed: pulse duration = 300 μs , duty cycle 1.5%

2.1 Electrical characteristics (curves)





3 Test circuits

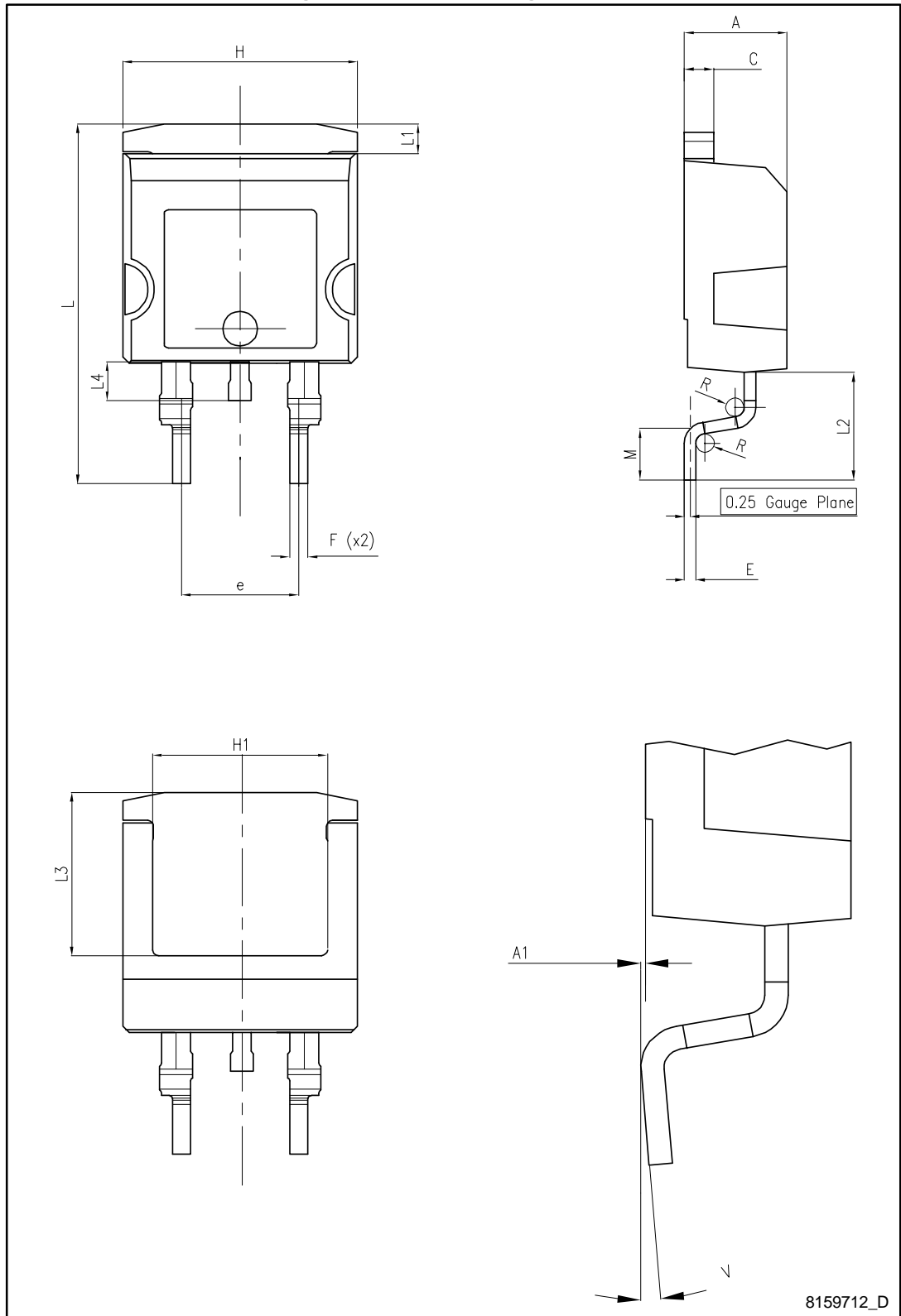


4 Package information

In order to meet environmental requirements, ST offers these devices in different grades of ECOPACK® packages, depending on their level of environmental compliance. ECOPACK® specifications, grade definitions and product status are available at: www.st.com. ECOPACK® is an ST trademark.

4.1 H2PAK-2 package information

Figure 19: H²PAK-2 package outline

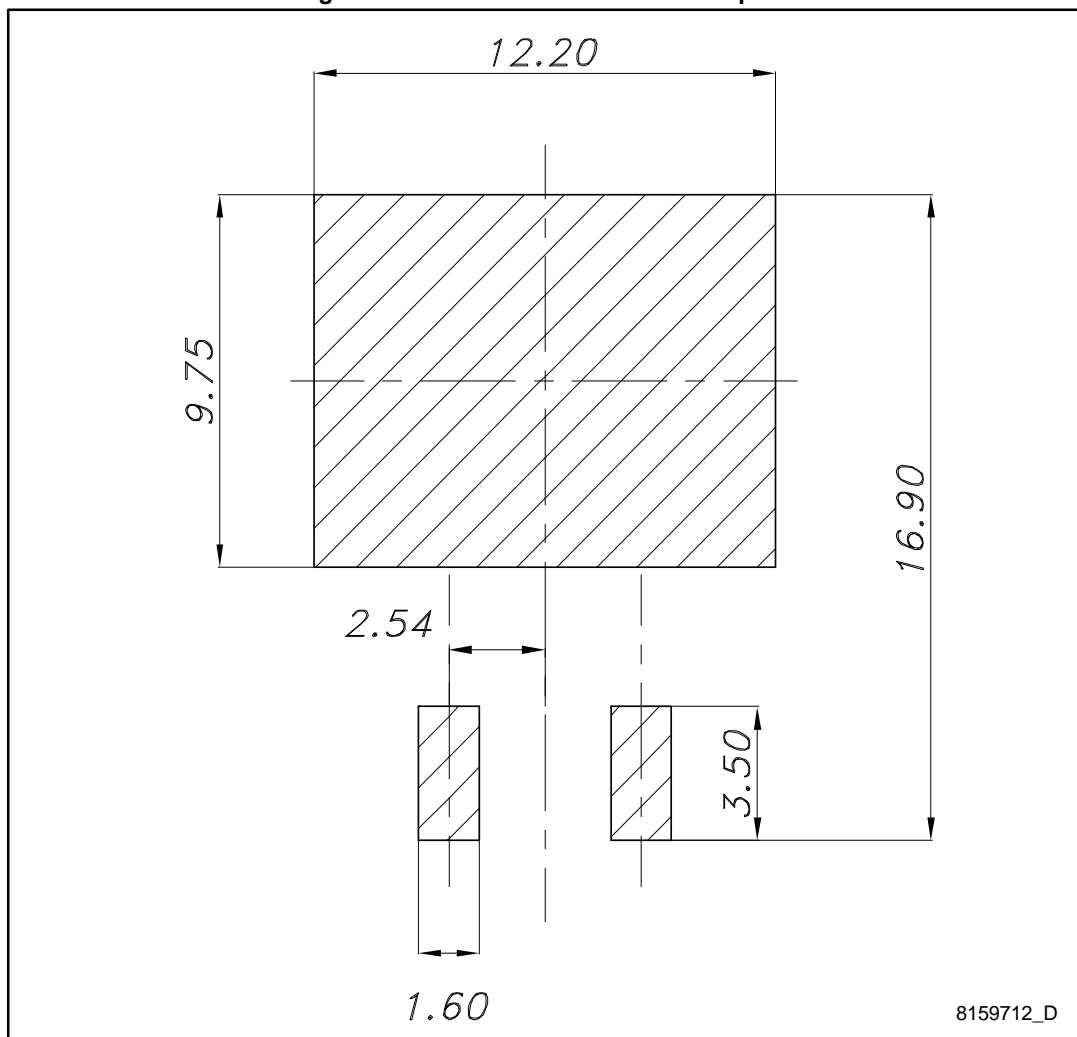


8159712_D

Table 8: H²PAK-2 package mechanical data

Dim.	mm		
	Min.	Typ.	Max.
A	4.30	-	4.80
A1	0.03		0.20
C	1.17		1.37
e	4.98		5.18
E	0.50		0.90
F	0.78		0.85
H	10.00		10.40
H1	7.40		7.80
L	15.30		15.80
L1	1.27		1.40
L2	4.93		5.23
L3	6.85		7.25
L4	1.5		1.7
M	2.6		2.9
R	0.20		0.60
V	0°		8°

Figure 20: H²PAK-2 recommended footprint



8159712_D

4.2 H2PAK-6 package information

Figure 21: H²PAK-6 package outline

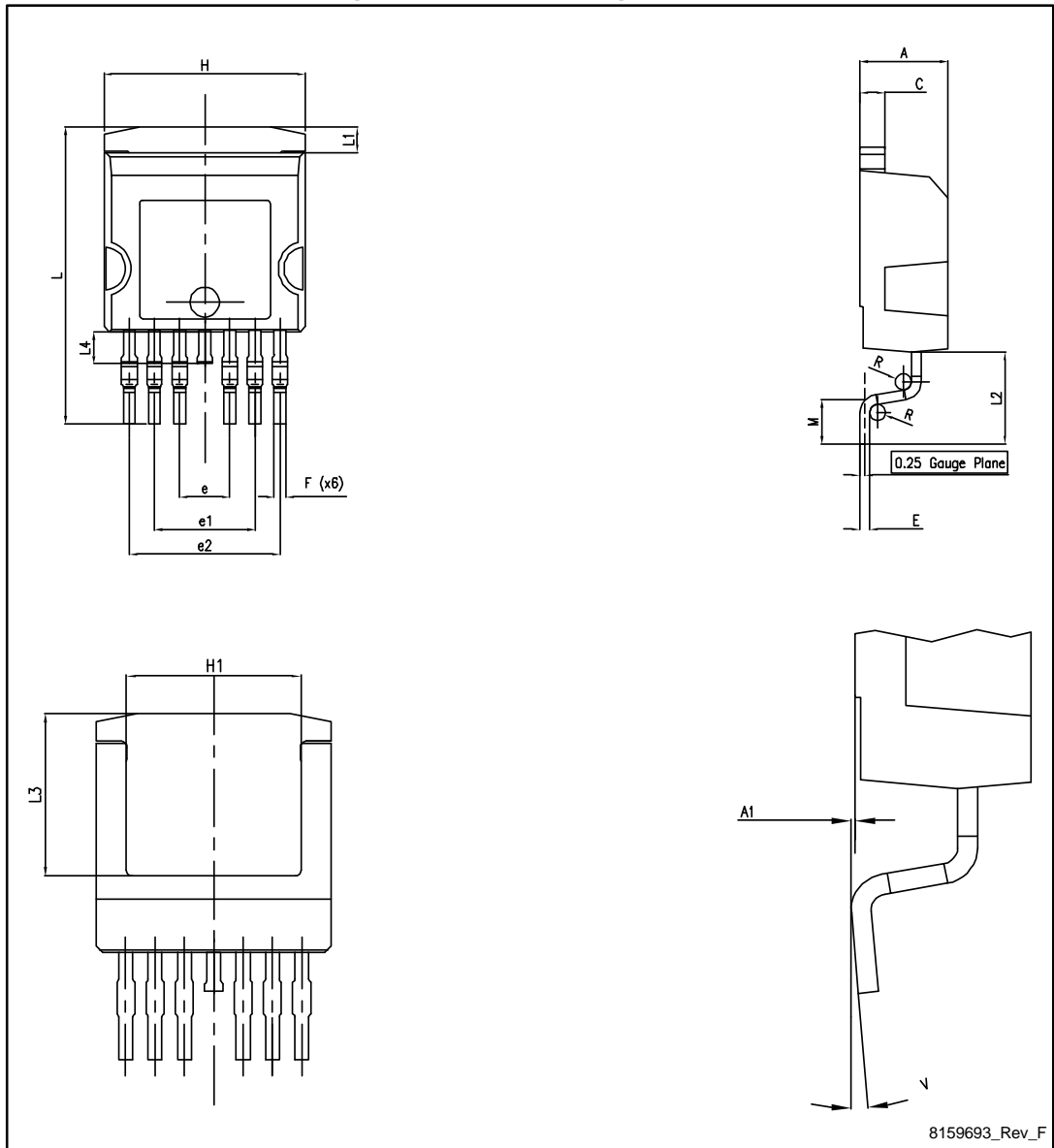
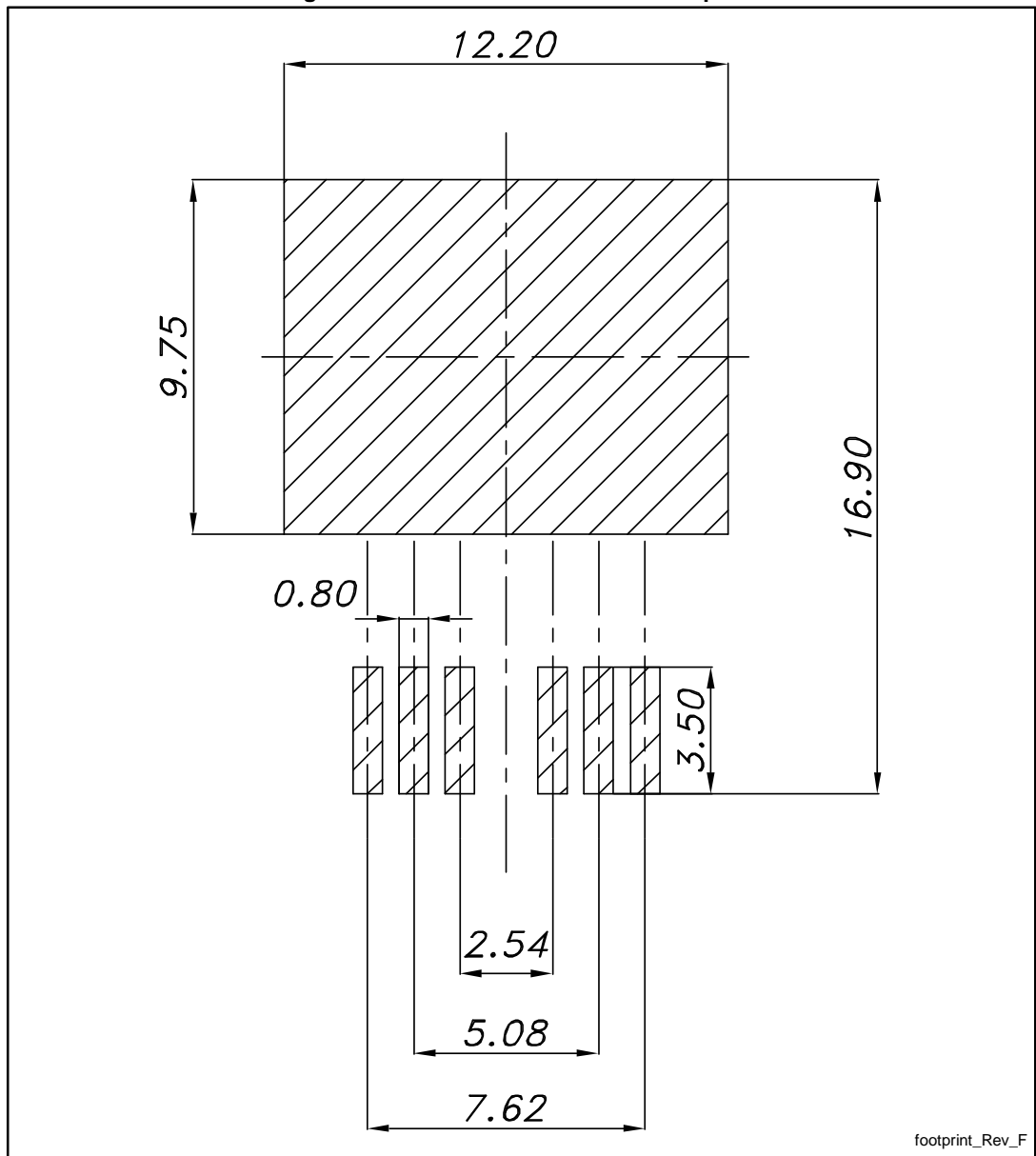


Table 9: H²PAK-6 package mechanical data

Dim.	mm		
	Min.	Typ.	Max.
A	4.30	-	4.80
A1	0.03		0.20
C	1.17		1.37
e	2.34		2.74
e1	4.88		5.28
e2	7.42		7.82
E	0.45		0.60
F	0.50		0.70
H	10.00		10.40
H1	7.40		7.80
L	14.75		15.25
L1	1.27		1.40
L2	4.35		4.95
L3	6.85		7.25
L4	1.5		1.75
M	1.90		2.50
R	0.20		0.60
V	0°		8°

Figure 22: H²PAK-6 recommended footprint



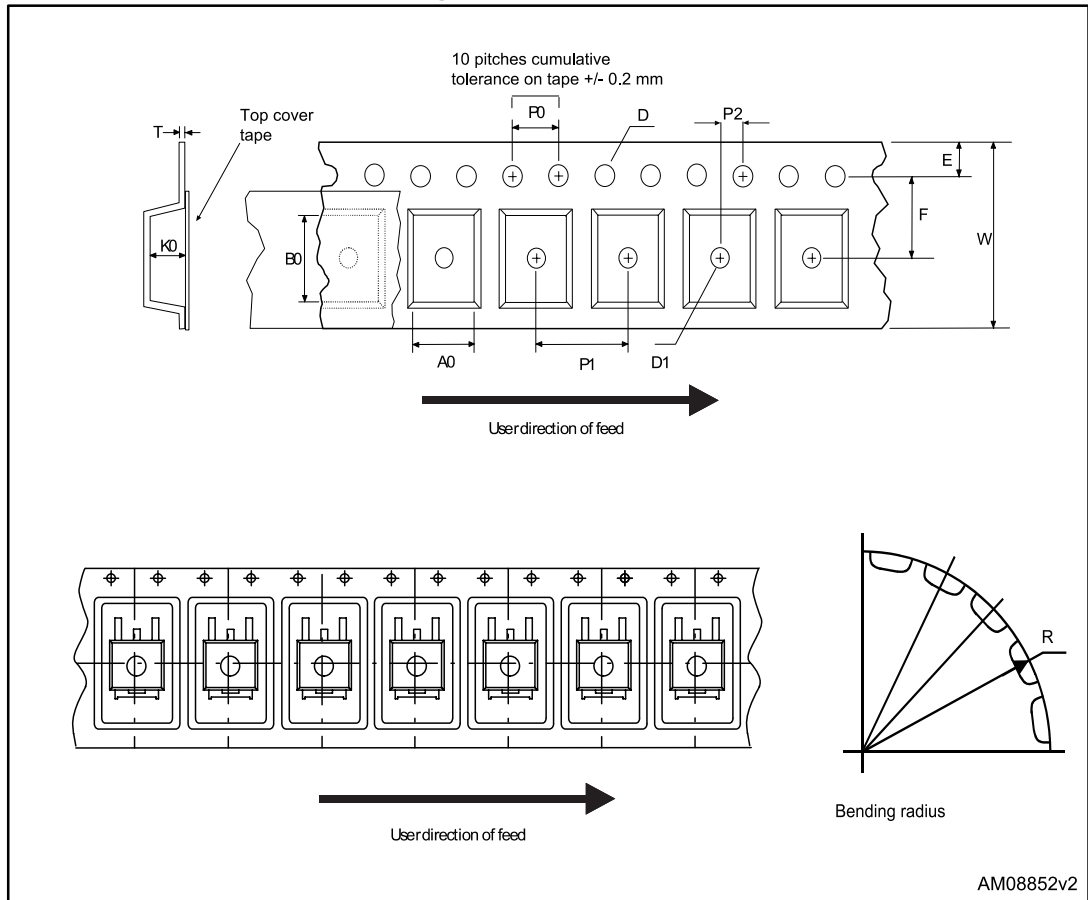
footprint_Rev_F



Dimensions are in mm.

4.3 Packing information

Figure 23: Tape outline



5 Revision history

Table 11: Document revision history

Date	Revision	Changes
10-Dec-2012	1	Initial release. Part number(s) previously included in datasheet ID02287
23-Jul-2013	2	<ul style="list-style-type: none">• Document status promoted from preliminary to production data• Modified: I_{DSS} and V_{GS} value in table 4• Added: E_{AS} value in table 2• Minor text changes
27-Nov-2014	3	<ul style="list-style-type: none">• Updated: H²PAK-6 package information.• Updated the title, features and description.• Minor text changes.
29-Jul-2015	4	Updated Table 2: "Absolute maximum ratings" .

IMPORTANT NOTICE – PLEASE READ CAREFULLY

STMicroelectronics NV and its subsidiaries ("ST") reserve the right to make changes, corrections, enhancements, modifications, and improvements to ST products and/or to this document at any time without notice. Purchasers should obtain the latest relevant information on ST products before placing orders. ST products are sold pursuant to ST's terms and conditions of sale in place at the time of order acknowledgement.

Purchasers are solely responsible for the choice, selection, and use of ST products and ST assumes no liability for application assistance or the design of Purchasers' products.

No license, express or implied, to any intellectual property right is granted by ST herein.

Resale of ST products with provisions different from the information set forth herein shall void any warranty granted by ST for such product.

ST and the ST logo are trademarks of ST. All other product or service names are the property of their respective owners.

Information in this document supersedes and replaces information previously supplied in any prior versions of this document.

© 2015 STMicroelectronics – All rights reserved

Mouser Electronics

Authorized Distributor

Click to View Pricing, Inventory, Delivery & Lifecycle Information:

[STMicroelectronics:](#)

[STH310N10F7-2](#) [STH310N10F7-6](#)