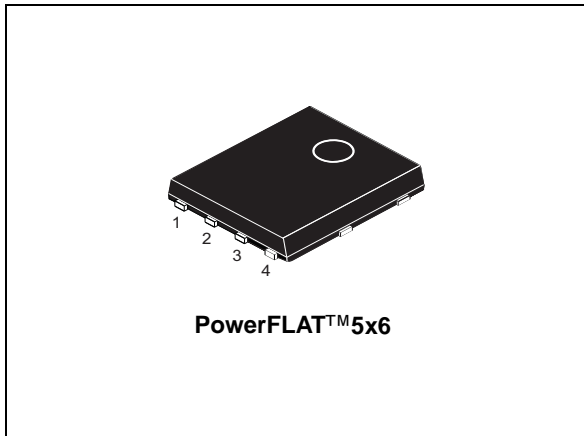


## N-channel 30 V, 0.0027 $\Omega$ typ., 120 A STripFET™ H7 Power MOSFET plus monolithic Schottky in a PowerFLAT™ 5x6

Datasheet - production data



### Features

Order code	V <sub>DS</sub>	R <sub>DS(on)</sub> max	I <sub>D</sub>
STL110NS3LLH7	30 V	0.0034 $\Omega$	120 A

- Very low on-resistance
- Very low Q<sub>g</sub>
- High avalanche ruggedness
- Embedded Schottky diode

### Applications

- Switching applications

### Description

This device exhibits low on-state resistance and capacitance for improved conduction and switching performance.

Figure 1. Internal schematic diagram

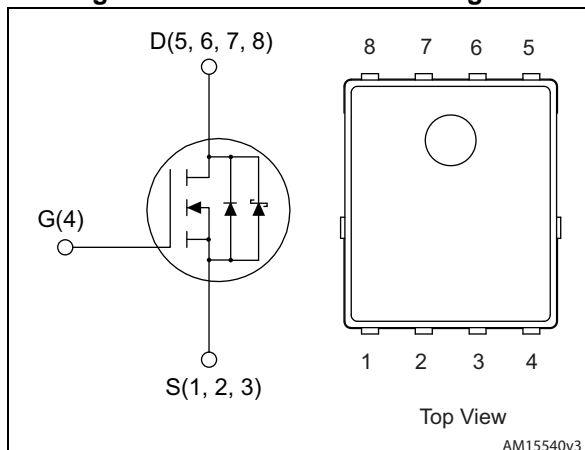


Table 1. Device summary

Order code	Marking	Package	Packing
STL110NS3LLH7	110NS3LL	PowerFLAT™ 5x6	Tape and reel

# Contents

- 1      Electrical ratings ..... 3**
- 2      Electrical characteristics ..... 4**
  - 2.1    Electrical characteristics (curves) ..... 6
- 3      Test circuits ..... 8**
- 4      Package information ..... 9**
  - 4.1    PowerFLAT™ 5x6 type C package information ..... 9
  - 4.2    Packing information ..... 11
- 5      Revision history ..... 13**

# 1 Electrical ratings

**Table 2. Absolute maximum ratings**

Symbol	Parameter	Value	Unit
$V_{DS}$	Drain-source voltage	30	V
$V_{GS}$	Gate-source voltage	$\pm 20$	V
$I_D^{(1)}$	Drain current (continuous)	120	A
	Drain current (continuous) at $T_C = 100\text{ }^\circ\text{C}$	75	
$I_{DM}^{(1)(2)}$	Drain current (pulsed)	480	A
$I_D^{(3)}$	Drain current (continuous)	28	A
	Drain current (continuous) at $T_{pcb} = 100\text{ }^\circ\text{C}$	17.5	
$I_{DM}^{(2)(3)}$	Drain current (pulsed)	112	A
$P_{TOT}$	Total dissipation at $T_C = 25\text{ }^\circ\text{C}$	$75^{(1)}$	W
	Total dissipation at $T_{pcb} = 25\text{ }^\circ\text{C}$	$4^{(3)}$	
$T_{stg}$	Storage temperature	-55 to 150	$^\circ\text{C}$
$T_j$	Operating junction temperature		

1. This value is rated according to  $R_{thj-c}$
2. Pulse width limited by safe operating area.
3. This value is rated according to  $R_{thj-pcb}$

**Table 3. Thermal data**

Symbol	Parameter	Value	Unit
$R_{thj-pcb}^{(1)}$	Thermal resistance junction-pcb max	31.3	$^\circ\text{C/W}$
$R_{thj-case}$	Thermal resistance junction-case max	1.65	$^\circ\text{C/W}$

1. When mounted on FR-4 board of 1 inch<sup>2</sup>, 2oz Cu, t < 10 sec

## 2 Electrical characteristics

( $T_C = 25\text{ °C}$  unless otherwise specified)

**Table 4. Static**

Symbol	Parameter	Test conditions	Min.	Typ.	Max.	Unit
$V_{(BR)DSS}$	Drain-source breakdown voltage	$I_D = 1\text{ mA}$ , $V_{GS} = 0\text{ V}$	30			V
$I_{DSS}$	Zero gate voltage drain current	$V_{GS} = 0\text{ V}$ $V_{DS} = 24\text{ V}$			500	$\mu\text{A}$
$I_{GSS}$	Gate-body leakage current	$V_{GS} = \pm 20\text{ V}$ , $V_{DS} = 0\text{ V}$			$\pm 100$	nA
$V_{GS(th)}$	Gate threshold voltage	$V_{DS} = V_{GS}$ , $I_D = 1\text{ mA}$	1.2		2.3	V
$R_{DS(on)}$	Static drain-source on-resistance	$V_{GS} = 10\text{ V}$ , $I_D = 14\text{ A}$		0.0027	0.0034	$\Omega$
		$V_{GS} = 4.5\text{ V}$ , $I_D = 14\text{ A}$		0.004	0.005	$\Omega$

**Table 5. Dynamic**

Symbol	Parameter	Test conditions	Min.	Typ.	Max.	Unit
$C_{iss}$	Input capacitance	$V_{DS} = 25\text{ V}$ , $f = 1\text{ MHz}$ , $V_{GS} = 0\text{ V}$	-	2110	-	pF
$C_{oss}$	Output capacitance		-	640	-	pF
$C_{riss}$	Reverse transfer capacitance		-	42	-	pF
$Q_g$	Total gate charge	$V_{DD} = 15\text{ V}$ , $I_D = 28\text{ A}$ , $V_{GS} = 4.5\text{ V}$ (see <a href="#">Figure 11</a> )	-	13.7	-	nC
$Q_{gs}$	Gate-source charge		-	7.5	-	nC
$Q_{gd}$	Gate-drain charge		-	3.3	-	nC

**Table 6. Switching times**

Symbol	Parameter	Test conditions	Min.	Typ.	Max.	Unit
$t_{d(on)}$	Turn-on delay time	$V_{DD} = 15\text{ V}$ , $I_D = 14\text{ A}$ , $R_G = 4.7\ \Omega$ , $V_{GS} = 4.5\text{ V}$	-	26.4	-	ns
$t_r$	Rise time		-	10.4	-	ns
$t_{d(off)}$	Turn-off delay time		-	31.8	-	ns
$t_f$	Fall time		-	12.5	-	ns

Table 7. Source drain diode

Symbol	Parameter	Test conditions	Min.	Typ.	Max.	Unit
$V_{SD}^{(1)}$	Forward on voltage	$I_{SD} = 2 \text{ A}$ , $V_{GS} = 0 \text{ V}$	-	0.4	0.7	V
$t_{rr}$	Reverse recovery time	$I_D = 2 \text{ A}$ , $di/dt = 100 \text{ A}/\mu\text{s}$ $V_{DD} = 20 \text{ V}$	-	35.2		ns
$Q_{rr}$	Reverse recovery charge		-	26.4		nC
$I_{RRM}$	Reverse recovery current		-	1.5		A

1. Pulsed: pulse duration = 300  $\mu\text{s}$ , duty cycle 1.5%

## 2.1 Electrical characteristics (curves)

Figure 2. Safe operating area

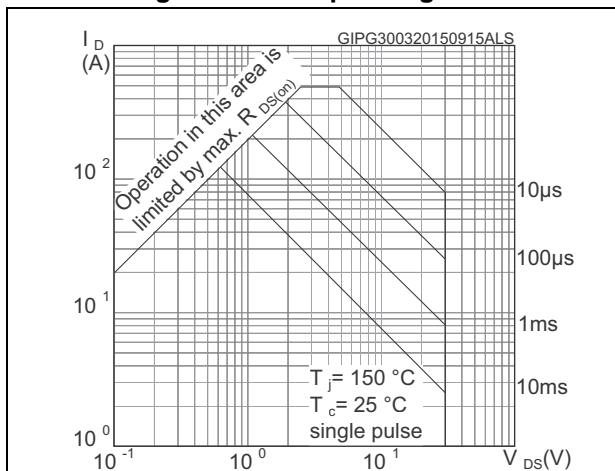


Figure 3. Thermal impedance

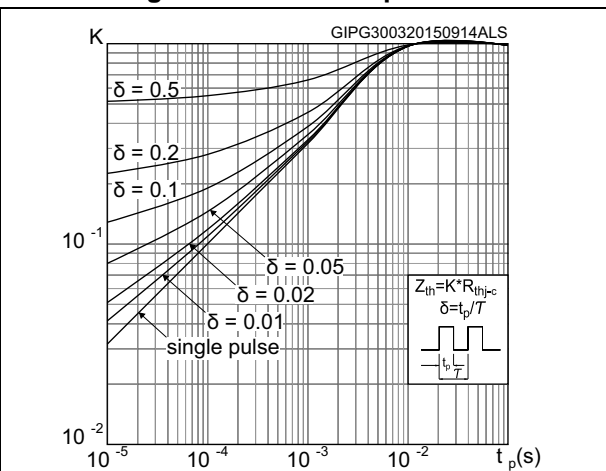


Figure 4. Output characteristics

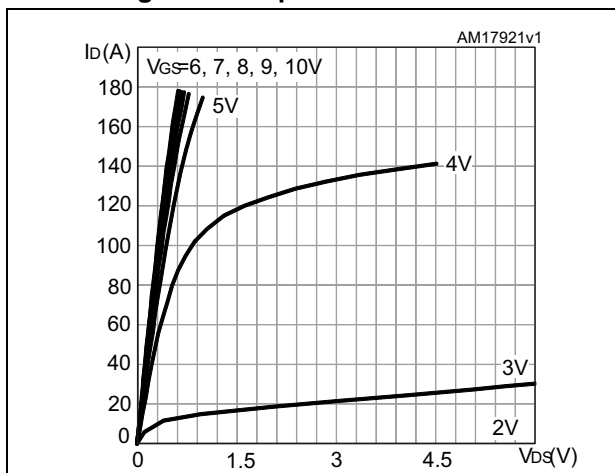


Figure 5. Transfer characteristics

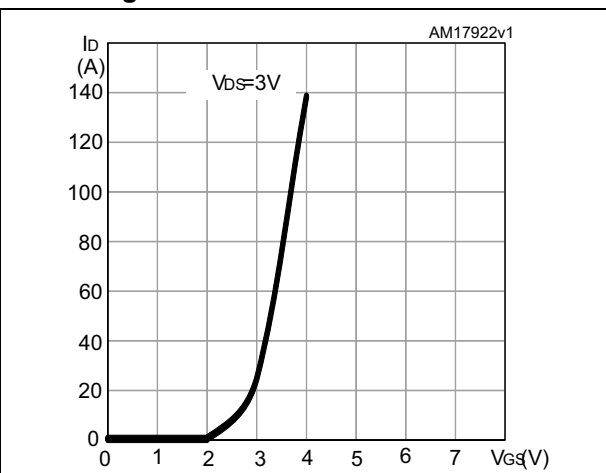


Figure 6. Gate charge vs gate-source voltage

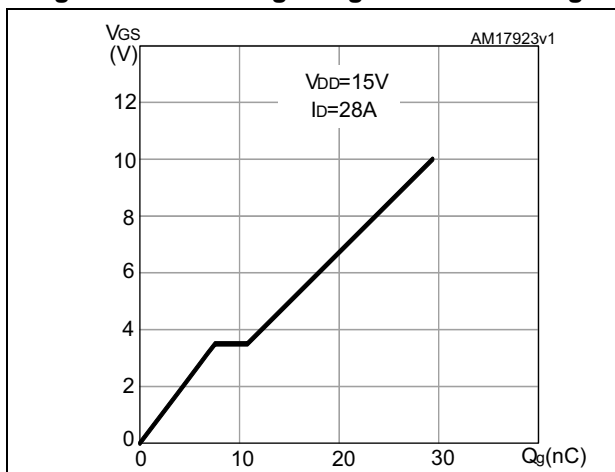


Figure 7. Static drain-source on-resistance

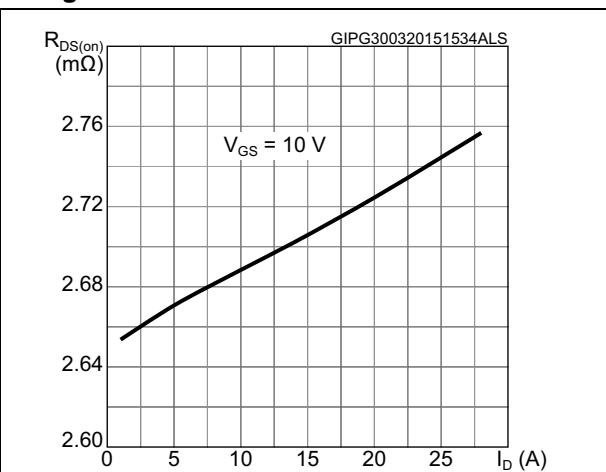


Figure 8. Capacitance variations

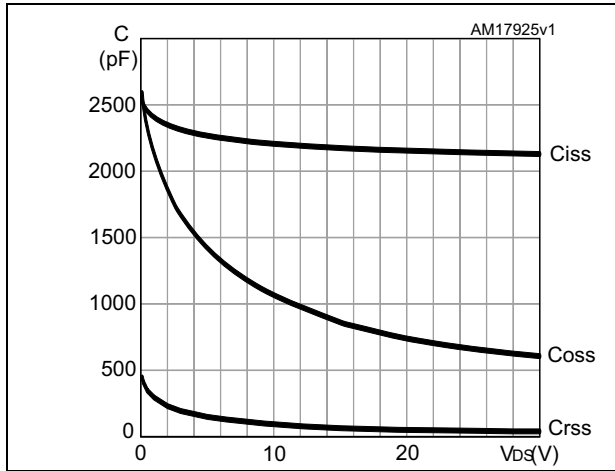
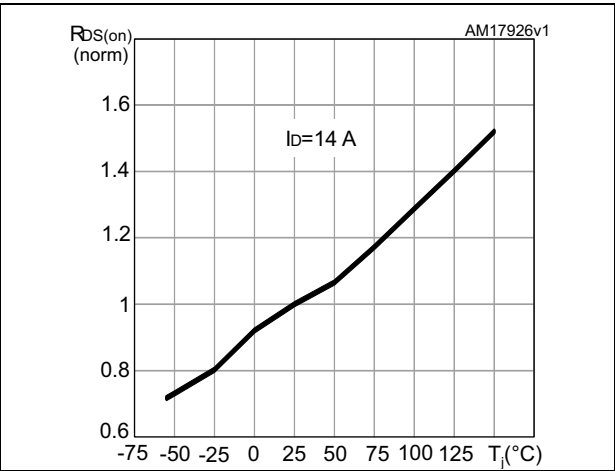
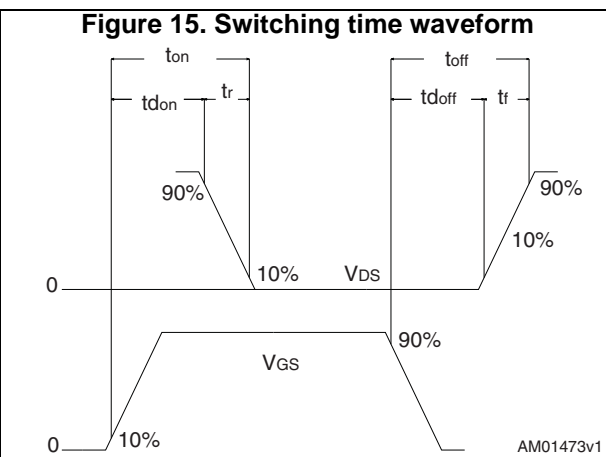
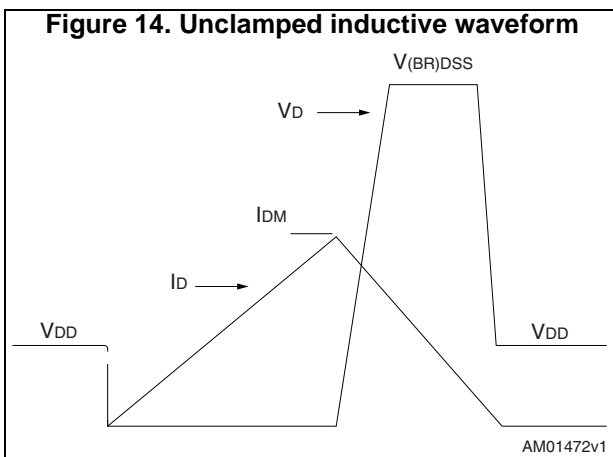
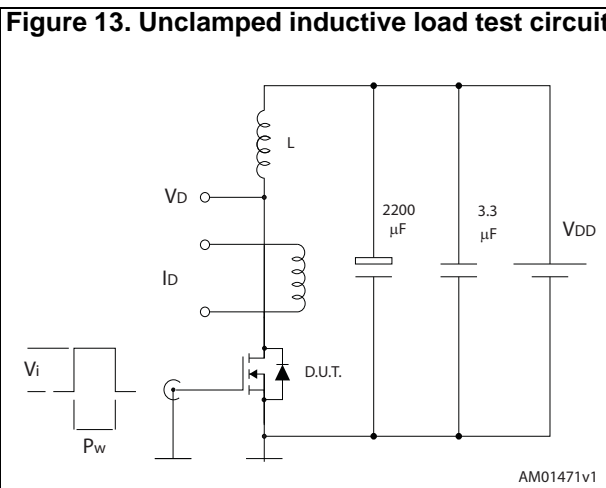
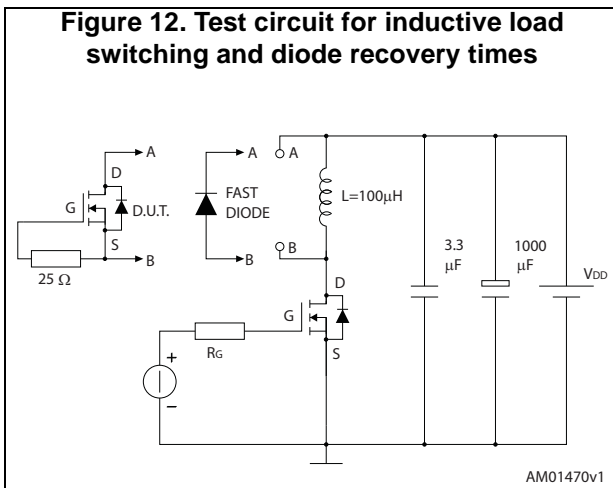
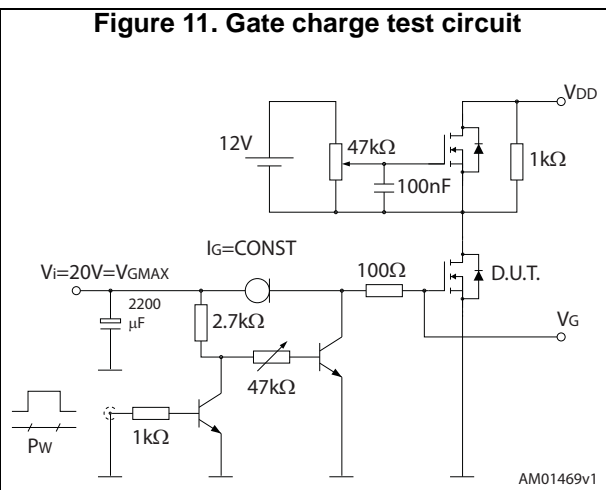
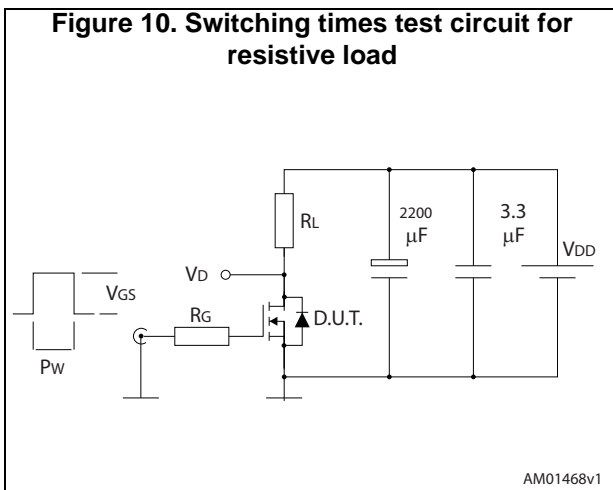


Figure 9. Normalized on-resistance vs temperature



### 3 Test circuits





## 4 Package information

In order to meet environmental requirements, ST offers these devices in different grades of ECOPACK<sup>®</sup> packages, depending on their level of environmental compliance. ECOPACK<sup>®</sup> specifications, grade definitions and product status are available at: [www.st.com](http://www.st.com). ECOPACK<sup>®</sup> is an ST trademark.

### 4.1 PowerFLAT<sup>™</sup> 5x6 type C package information

Figure 16. PowerFLAT<sup>™</sup> 5x6 type C outline

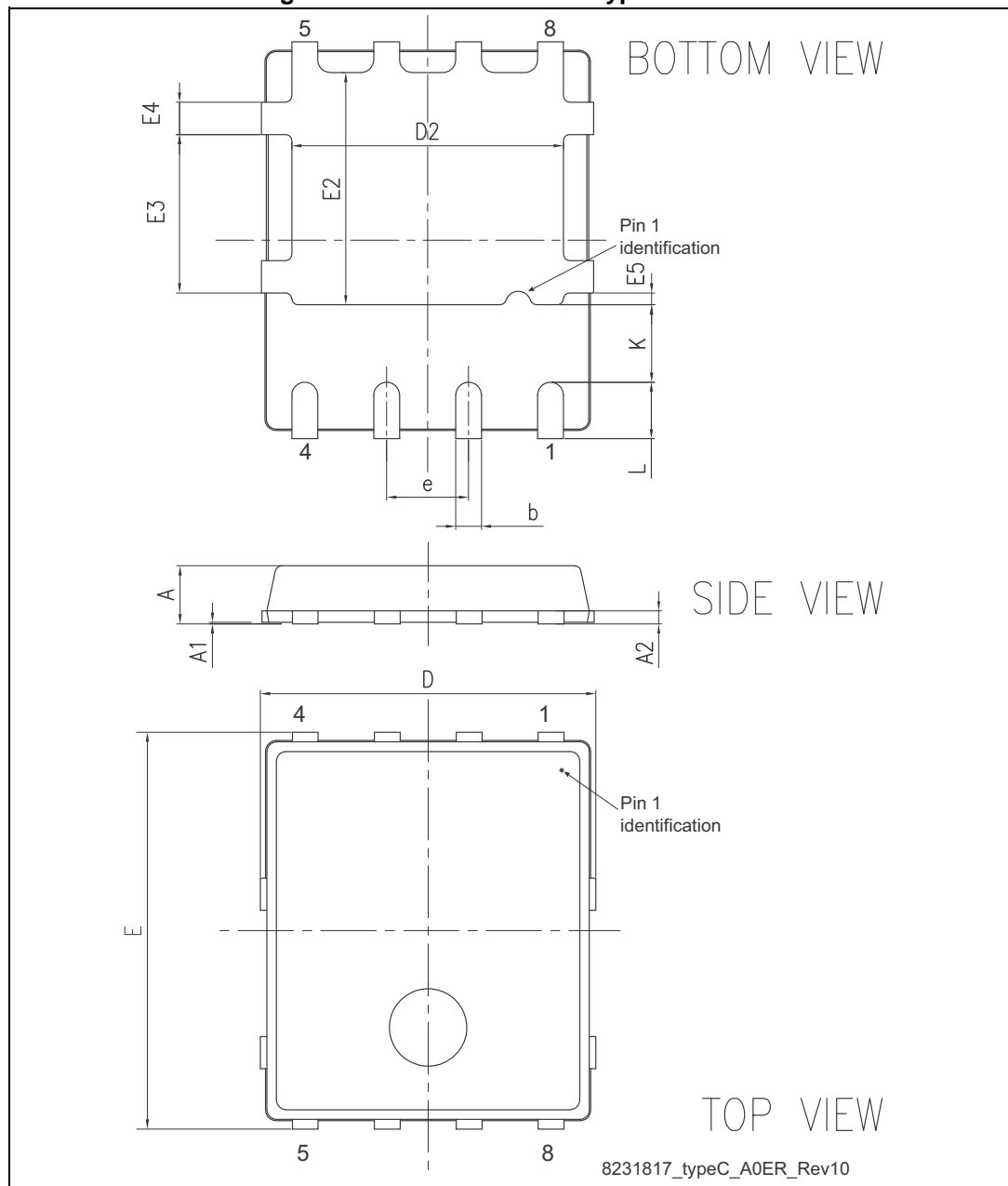


Table 8. PowerFLAT™ 5x6 type C mechanical data

Dim.	mm		
	Min.	Typ.	Max.
A	0.80		1.00
A1	0.02		0.05
A2		0.25	
b	0.30		0.50
D		5.20	
E		6.15	
D2	4.11		4.31
E2	3.50		3.70
e		1.27	
e1		0.65	
L	0.715		1.015
K	1.05		1.35
E3	2.35		2.55
E4	0.40		0.60
E5	0.08		0.28

Figure 17. PowerFLAT™ 5x6 recommended footprint (dimensions in mm)

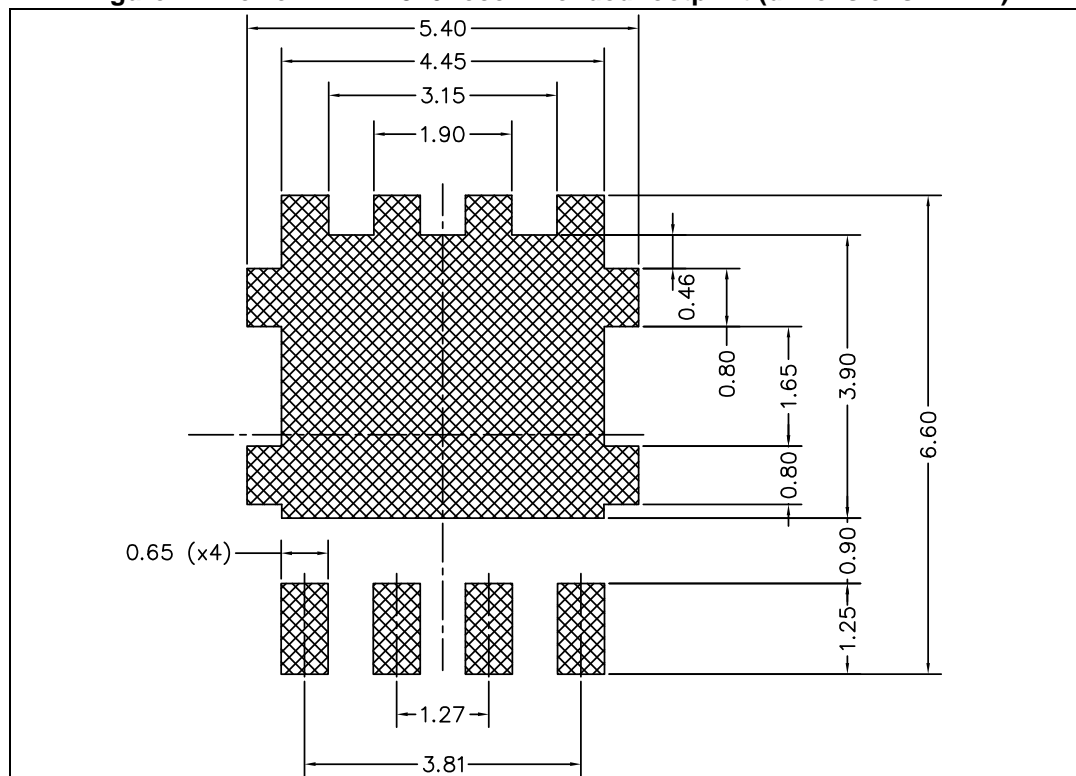
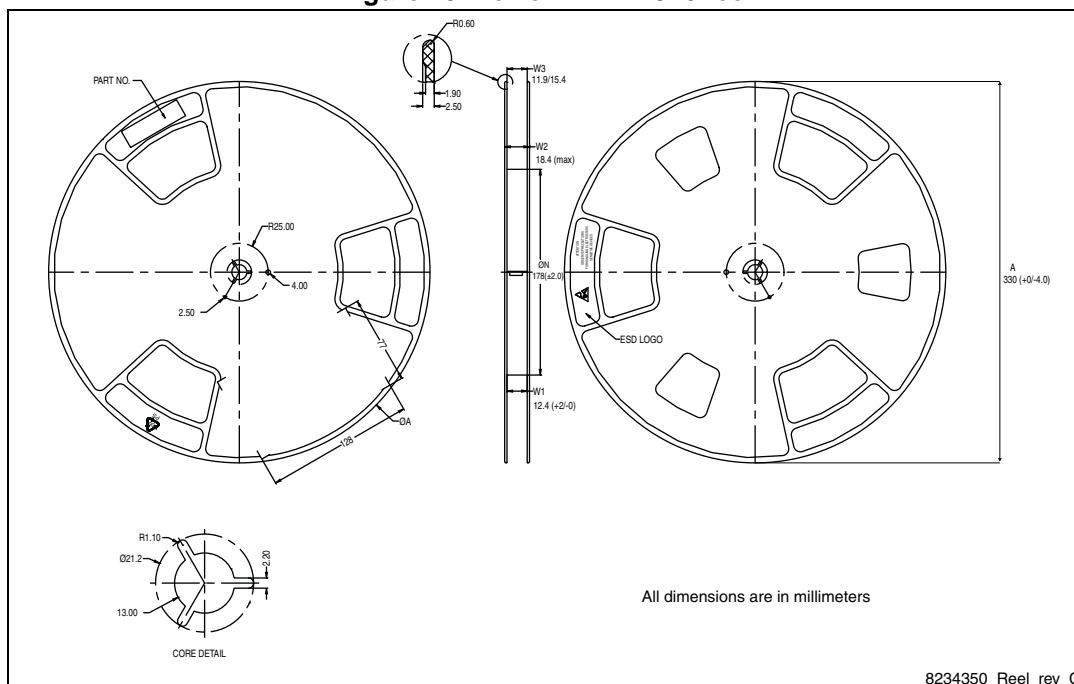




Figure 20. PowerFLAT™ 5x6 reel



## 5 Revision history

**Table 9. Document revision history**

Date	Revision	Changes
22-Apr-2013	1	First release.
11-Jun-2013	2	Changed: <a href="#">Description</a> Minor text changes
01-Apr-2015	3	Minor text edits throughout document On cover page: – updated product description – updated features table and features list In <a href="#">Section 1: Electrical ratings</a> : – updated <a href="#">Table 2</a> and <a href="#">Table 3</a> In <a href="#">Section 2: Electrical characteristics</a> : – updated <a href="#">Table 7</a> Added <a href="#">Section 2.1: Electrical characteristics (curves)</a> Updated <a href="#">Section 4: Package information</a>
10-Apr-2015	4	Promoted document from 'Preliminary data' to 'Production data'

**IMPORTANT NOTICE – PLEASE READ CAREFULLY**

STMicroelectronics NV and its subsidiaries ("ST") reserve the right to make changes, corrections, enhancements, modifications, and improvements to ST products and/or to this document at any time without notice. Purchasers should obtain the latest relevant information on ST products before placing orders. ST products are sold pursuant to ST's terms and conditions of sale in place at the time of order acknowledgement.

Purchasers are solely responsible for the choice, selection, and use of ST products and ST assumes no liability for application assistance or the design of Purchasers' products.

No license, express or implied, to any intellectual property right is granted by ST herein.

Resale of ST products with provisions different from the information set forth herein shall void any warranty granted by ST for such product.

ST and the ST logo are trademarks of ST. All other product or service names are the property of their respective owners.

Information in this document supersedes and replaces information previously supplied in any prior versions of this document.

© 2015 STMicroelectronics – All rights reserved

# Mouser Electronics

Authorized Distributor

Click to View Pricing, Inventory, Delivery & Lifecycle Information:

[STMicroelectronics:](#)

[STL110NS3LLH7](#)