

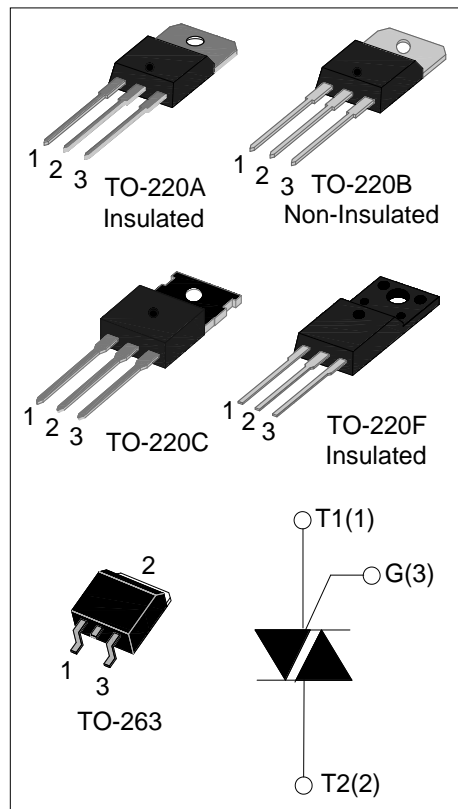


JST12 Series 12A TRIACs

Rev.3.0

DESCRIPTION:

With high ability to withstand the shock loading of large current, JST12 series triacs provide high dv/dt rate with strong resistance to electromagnetic interface. With high commutation performances, 3 quadrants products especially recommended for use on inductive load. From all three terminals to external heatsink, JST12A provides a rated insulation voltage of 2500 V_{RMS}, and JST12F provides a rated insulation voltage of 2000 V_{RMS}, complying with UL standards (File ref: E252906).



MAIN FEATURES

Symbol	Value	Unit
$I_{T(RMS)}$	12	A
V_{DRM}/V_{RRM}	600 and 800 and 1200	V

ABSOLUTE MAXIMUM RATINGS

Parameter		Symbol	Value	Unit
Storage junction temperature range		T_{stg}	-40-150	°C
Operating junction temperature range		T_j	-40-125	°C
Repetitive peak off-state voltage ($T_j=25^\circ\text{C}$)		V_{DRM}	600/800/1200	V
Repetitive peak reverse voltage ($T_j=25^\circ\text{C}$)		V_{RRM}	600/800/1200	V
Non repetitive surge peak Off-state voltage		V_{DSM}	$V_{DRM} + 100$	V
Non repetitive peak reverse voltage		V_{RSM}	$V_{RRM} + 100$	V
RMS on-state current	TO-220A(Ins) ($T_C=90^\circ\text{C}$)	$I_{T(RMS)}$	12	A
	TO-220B(Non-Ins)/ TO-220C($T_C=105^\circ\text{C}$)			
	TO-220F(Ins) ($T_C=79^\circ\text{C}$)			
	TO-263 ($T_C=115^\circ\text{C}$)			
Non repetitive surge peak on-state current (full cycle, F=50Hz)		I_{TSM}	120	A

I ² t value for fusing (tp=10ms)	I ² t	72	A ² s
Critical rate of rise of on-state current (I _G =2×I _{GT})	di/dt	50	A/μs
Peak gate current	I _{GM}	4	A
Average gate power dissipation	P _{G(AV)}	1	W
Peak gate power	P _{GM}	5	W

ELECTRICAL CHARACTERISTICS (T_j=25°C unless otherwise specified)

3 Quadrants

Symbol	Test Condition	Quadrant		Value				Unit
				BW	CW	SW	TW	
I _{GT}	V _D =12V R _L =33Ω	I - II -III	MAX	50	35	10	5	mA
V _{GT}		I - II -III	MAX	1.3				V
V _{GD}	V _D =V _{DRM} T _j =125°C R _L =3.3KΩ	I - II -III	MIN	0.2				V
I _L	I _G =1.2I _{GT}	I -III	MAX	80	50	30	20	mA
		II		90	60	40	30	
I _H	I _T =100mA		MAX	60	40	20	15	mA
dV/dt	V _D =2/3V _{DRM} Gate Open T _j =125°C		MIN	1000	500	200	100	V/μs

4 Quadrants

Symbol	Test Condition	Quadrant		Value		Unit
				B	C	
I _{GT}	V _D =12V R _L =33Ω	I - II -III	MAX	50	25	mA
		IV		70	50	
V _{GT}		ALL	MAX	1.3		V
V _{GD}	V _D =V _{DRM} T _j =125°C R _L =3.3KΩ	ALL	MIN	0.2		V
I _L	I _G =1.2I _{GT}	I -III-IV	MAX	50	40	mA
		II		100	80	
I _H	I _T =100mA		MAX	50	25	mA
dV/dt	V _D =2/3V _{DRM} Gate Open T _j =125°C		MIN	500	200	V/μs

STATIC CHARACTERISTICS

Symbol	Parameter		Value(MAX)	Unit
V_{TM}	$I_{TM}=17A$ $t_p=380\mu s$	$T_j=25^\circ C$	1.5	V
I_{DRM}	$V_D=V_{DRM}$ $V_R=V_{RRM}$	$T_j=25^\circ C$	5	μA
I_{RRM}		$T_j=125^\circ C$	1	mA

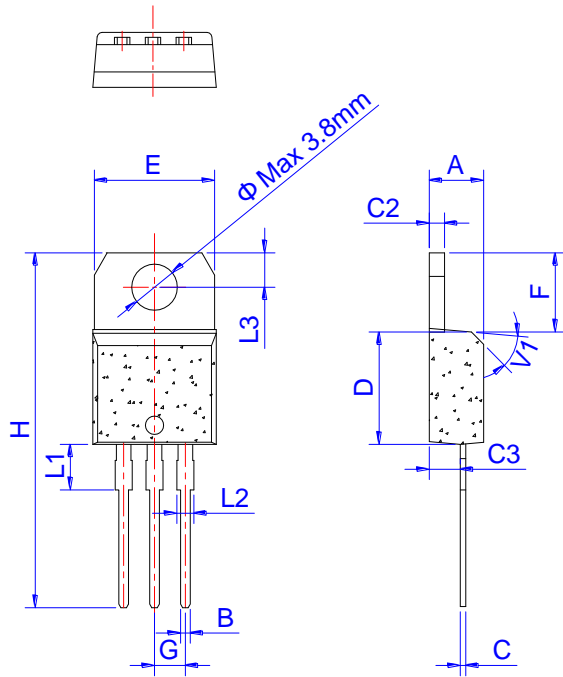
THERMAL RESISTANCES

Symbol	Parameter		Value	Unit
$R_{th(j-c)}$	junction to case(AC)	TO-220A(Ins)	2.3	$^\circ C/W$
		TO-220B(Non-Ins)/ TO-220C	1.4	
		TO-220F(Ins)	2.5	
		TO-263	0.95	

ORDERING INFORMATION

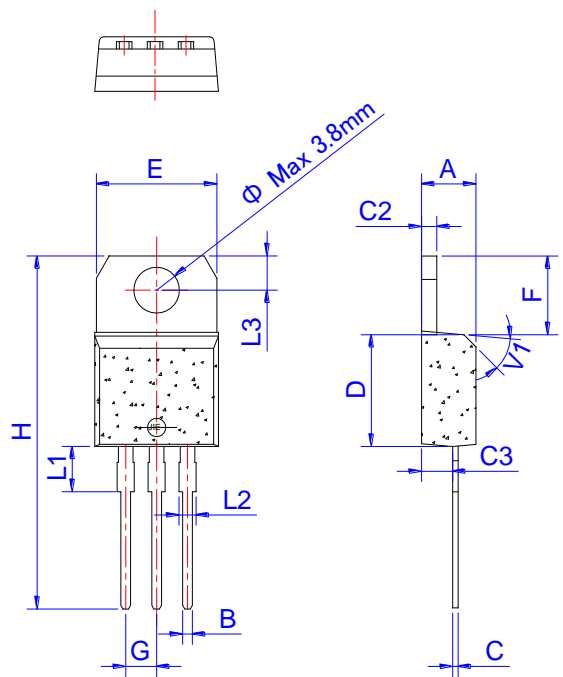
<p>J</p> <p>JieJie Microelectronics Co.,Ltd</p>	<p>ST</p> <p>Triacs</p> <p>$I_{T(RMS)}:12A$</p> <p>A:TO-220A(Ins) F:TO-220F(Ins) B:TO-220B(Non-Ins) C:TO-220C E:TO-263</p>	<p>12</p>	<p>A</p>	<p>-600</p> <p>600:$V_{DRM}/V_{RRM} \geq 600V$ 800:$V_{DRM}/V_{RRM} \geq 800V$ 1200:$V_{DRM}/V_{RRM} \geq 1200V$</p>	<p>BW</p> <p>BW:$I_{GT1-3} \leq 50mA$ CW:$I_{GT1-3} \leq 35mA$ SW:$I_{GT1-3} \leq 10mA$ TW:$I_{GT1-3} \leq 5mA$ B:$I_{GT1-3} \leq 50mA$ $I_{GT4} \leq 70mA$ C:$I_{GT1-3} \leq 25mA$ $I_{GT4} \leq 50mA$</p>	<p>-US</p>
--	--	------------------	-----------------	--	--	-------------------

PACKAGE MECHANICAL DATA



TO-220A Ins

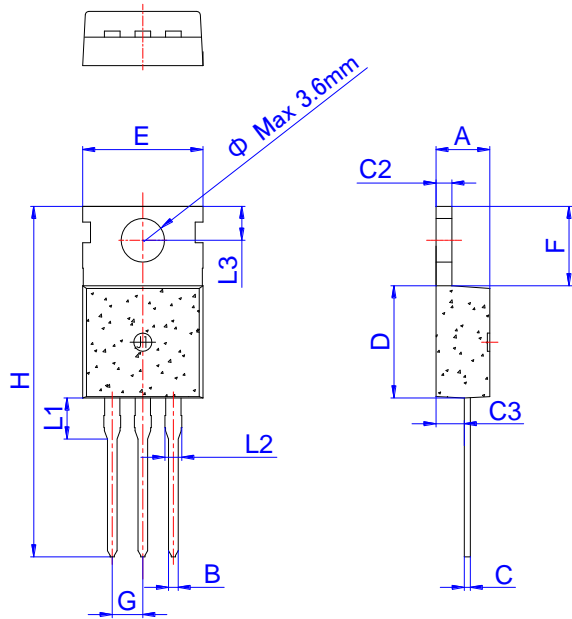
Ref.	Dimensions					
	Millimeters			Inches		
	Min.	Typ.	Max.	Min.	Typ.	Max.
A	4.40		4.60	0.173		0.181
B	0.61		0.88	0.024		0.035
C	0.46		0.70	0.018		0.028
C2	1.21		1.32	0.048		0.052
C3	2.40		2.72	0.094		0.107
D	8.60		9.70	0.339		0.382
E	9.80		10.4	0.386		0.409
F	6.55		6.95	0.258		0.274
G		2.54			0.1	
H	28.0		29.8	1.102		1.173
L1		3.75			0.148	
L2	1.14		1.70	0.045		0.067
L3	2.65		2.95	0.104		0.116
V1		45°			45°	



TO-220B Non-Ins

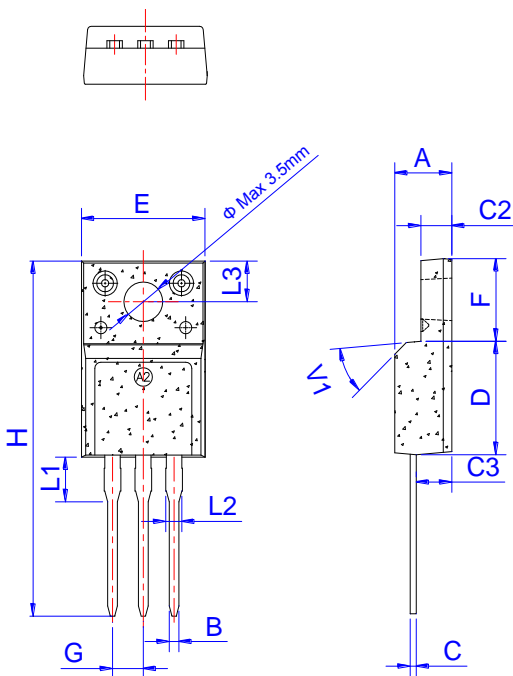
Ref.	Dimensions					
	Millimeters			Inches		
	Min.	Typ.	Max.	Min.	Typ.	Max.
A	4.40		4.60	0.173		0.181
B	0.61		0.88	0.024		0.035
C	0.46		0.70	0.018		0.028
C2	1.21		1.32	0.048		0.052
C3	2.40		2.72	0.094		0.107
D	8.60		9.70	0.339		0.382
E	9.60		10.4	0.378		0.409
F	6.20		6.60	0.244		0.260
G		2.54			0.1	
H	28.0		29.8	1.102		1.173
L1		3.75			0.148	
L2	1.14		1.70	0.045		0.067
L3	2.65		2.95	0.104		0.116
V1		45°			45°	

PACKAGE MECHANICAL DATA



TO-220C

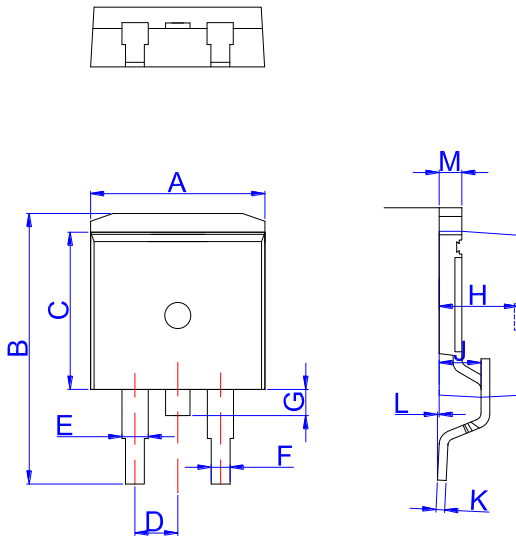
Ref.	Dimensions					
	Millimeters			Inches		
	Min.	Typ.	Max.	Min.	Typ.	Max.
A	4.40		4.60	0.173		0.181
B	0.70		0.90	0.028		0.035
C	0.45		0.60	0.018		0.024
C2	1.23		1.32	0.048		0.052
C3	2.20		2.60	0.087		0.102
D	8.90		9.90	0.350		0.390
E	9.90		10.3	0.390		0.406
F	6.30		6.90	0.248		0.272
G		2.54			0.1	
H	28.0		29.8	1.102		1.173
L1		3.39			0.133	
L2	1.14		1.70	0.045		0.067
L3	2.65		2.95	0.104		0.116
Φ		3.6			0.142	



TO-220F Ins

Ref.	Dimensions					
	Millimeters			Inches		
	Min.	Typ.	Max.	Min.	Typ.	Max.
A	4.50		4.90	0.177		0.193
B	0.74	0.80	0.83	0.029	0.031	0.033
C	0.47		0.65	0.019		0.026
C2	2.45		2.75	0.096		0.108
C3	2.60		3.00	0.102		0.118
D	8.80		9.30	0.346		0.366
E	9.80		10.4	0.386		0.410
F	6.40		6.80	0.252		0.268
G		2.54			0.1	
H	28.0		29.8	1.102		1.173
L1		3.63			0.143	
L2	1.14		1.70	0.045		0.067
L3		3.30			0.130	
V1		45°			45°	

PACKAGE MECHANICAL DATA



TO-263

Ref.	Dimensions					
	Millimeters			Inches		
	Min.	Typ.	Max.	Min.	Typ.	Max.
A	9.90		10.20	0.390		0.402
B	14.70		15.80	0.579		0.622
C	9.4		9.6	0.37		0.378
D		2.54			0.100	
E	1.20		1.40	0.047		0.055
F	0.75		0.85	0.029		0.033
G			1.75			0.069
H	4.40		4.70	0.173		0.185
J	2.30		2.70	0.091		0.106
K	0.38		0.55	0.015		0.022
L	0	0.10	0.25	0	0.004	0.010
M	1.25		1.35	0.049		0.053

FIG.1 Maximum power dissipation versus RMS on-state current

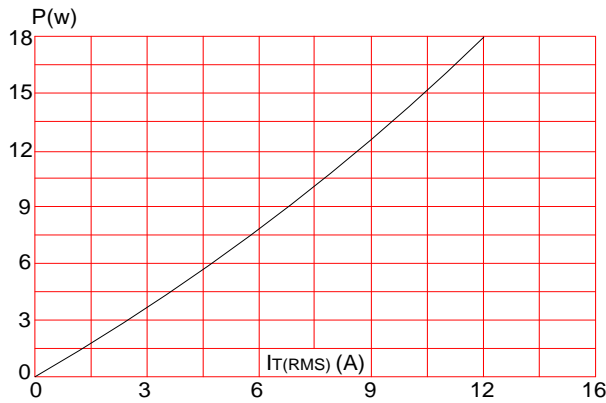


FIG.3: Surge peak on-state current versus number of cycles

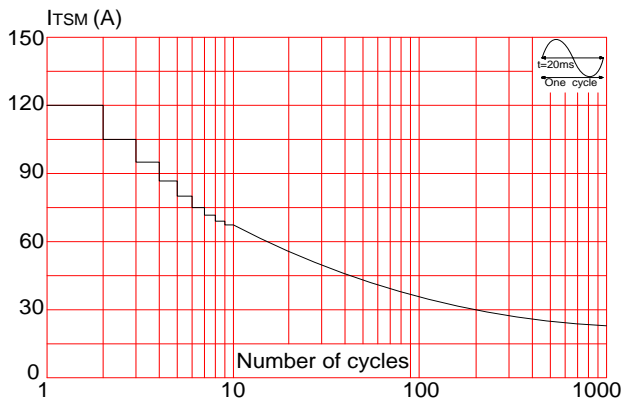


FIG.2: RMS on-state current versus case temperature

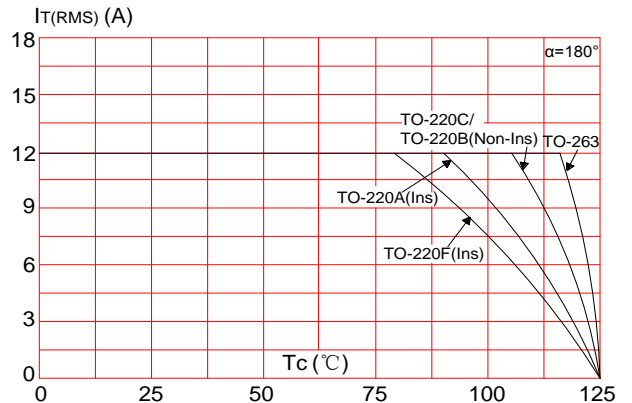


FIG.4: On-state characteristics (maximum values)

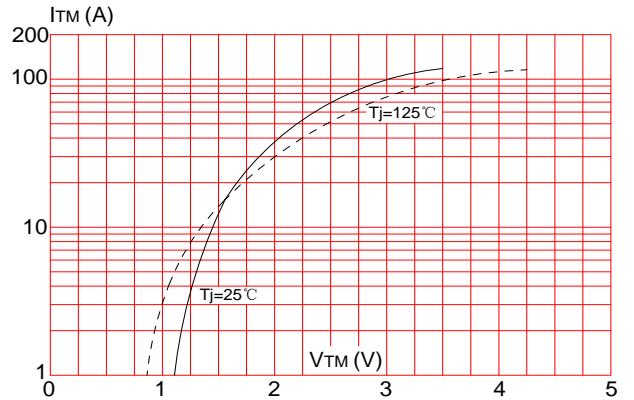


FIG.5: Non-repetitive surge peak on-state current for a sinusoidal pulse with width $t_p < 20\text{ms}$, and corresponding value of I^2t ($di/dt < 50\text{A}/\mu\text{s}$)

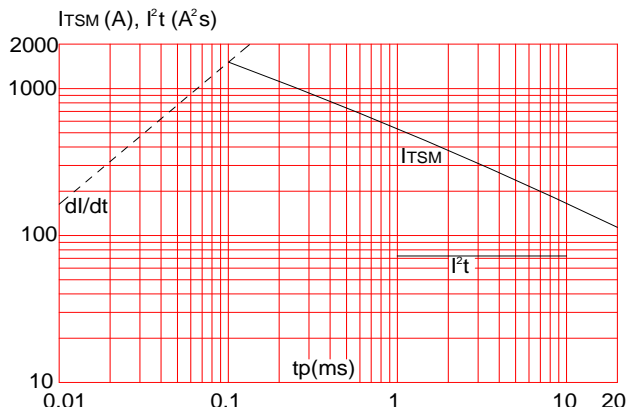
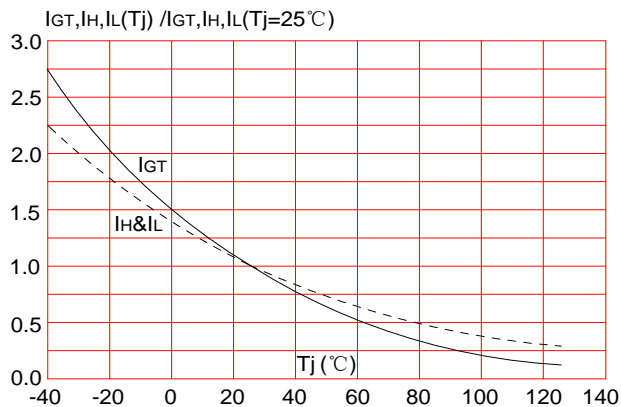



FIG.6: Relative variations of gate trigger current, holding current and latching current versus junction temperature



Information furnished in this document is believed to be accurate and reliable. However, Jiangsu JieJie Microelectronics Co.,Ltd assumes no responsibility for the consequences of use without consideration for such information nor use beyond it. Information mentioned in this document is subject to change without notice, apart from that when an agreement is signed, Jiangsu JieJie complies with the agreement. Products and information provided in this document have no infringement of patents. Jiangsu JieJie assumes no responsibility for any infringement of other rights of third parties which may result from the use of such products and information. This document is the third version which is made in 9-June-2015. This document supersedes and replaces all information previously supplied.

 is a registered trademark of Jiangsu JieJie Microelectronics Co.,Ltd.

Copyright ©2015 Jiangsu JieJie Microelectronics Co.,Ltd. Printed All rights reserved.

SUGGESTED REPLACEMENTS

<u>ST</u>	<u>NXP</u>	<u>JieJie</u>
	BTA212B-600D BTA312B-600D	JST12E-600TW
T1210-600G	BTA212B-600E BTA312B-600E	JST12E-600SW
T1235-600G	BTA212B-600F BTA312B-600C	JST12E-600CW
T1250-600G	BTA212B-600B BTA312B-600B	JST12E-600BW
	BTA212B-800D	JST12E-800TW
T1210-800G	BTA212B-800E BTA312B-800E	JST12E-800SW
T1235-800G	BTA212B-800F BTA312B-800C	JST12E-800CW
T1250-800G	BTA212B-800B BTA312B-800B	JST12E-800BW
BTA12-600TW		JST12A-600TW
BTA12-600SW		JST12A-600SW
T1210T-6I		
BTA12-600CW	BTA312Y-600C	JST12A-600CW
T1235T-6I	BTA412Y-600C	
BTA12-600BW	BTA412Y-600B	JST12A-600BW
BTA12-800TW		JST12A-800TW
BTA12-800SW		JST12A-800SW
BTA12-800CW	BTA312Y-800C BTA412Y-800B	JST12A-800CW
BTA12-800BW	BTA412Y-800C	JST12A-800BW

SUGGESTED REPLACEMENTS

<u>ST</u>	<u>NXP</u>	<u>JieJie</u>
BTB12-600TW	BTA212-600D BTA312-600D	JST12B-600TW
BTB12-600SW	BTA212-600E BTA312-600E	JST12B-600SW
BTB12-600CW	BTA212-600F BTA312-600C	JST12B-600CW
BTB12-600BW	BTA212-600B BTA312-600B	JST12B-600BW
BTB12-800TW	BTA212-800D	JST12B-800TW
BTB12-800SW	BTA212-800E BTA312-800E	JST12B-800SW
BTB12-800CW	BTA212-800F BTA312-800C	JST12B-800CW
BTB12-800BW	BTA212-800B BTA312-800B	JST12B-800BW
	BTA212X-600D BTA312X-600D	JST12F-600TW
	BTA212X-600E BTA312X-600E	JST12F-600SW
	BTA212X-600F BTA312X-600C	JST12F-600CW
TXDV612	BTA212X-600B BTA312X-600B	JST12F-600BW
	BTA212X-800D BTA212X-800E BTA312X-800E	JST12F-800TW JST12F-800SW
	BTA212X-800F BTA312X-800C	JST12F-800CW
	BTA212X-800B BTA312X-800B	JST12F-800BW