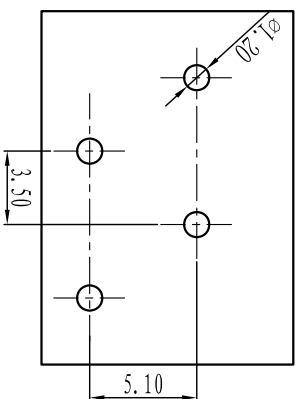
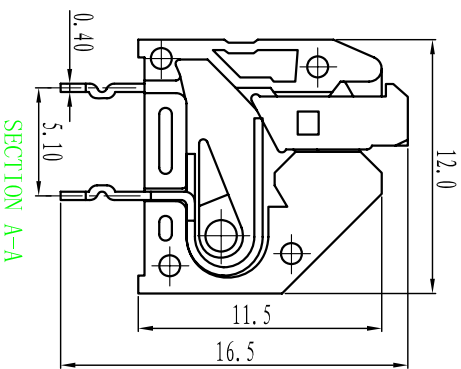
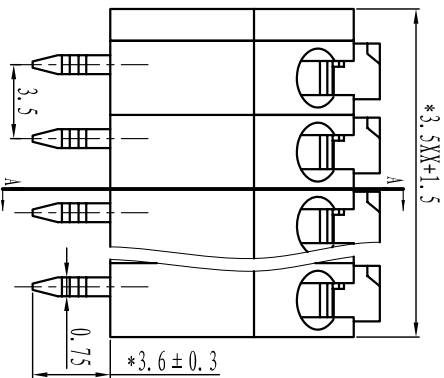




慈溪市万捷电子有限公司

CIXI WANJIE ELECTRONIC CO., LTD

产品规格书
product specification



电气性能/Electrical
参考标准/Standard: UL IEC
额定电压/Rated voltage: 300V 250V
额定电流/Rated current: 5A 8A
使用线径/Wire range: 22-18AWG 1.0mm²
耐电压/Withstanding voltage: AC2000V/1Min
绝缘电阻/Insulation resistance: 500M Ω /DC500V
机械性能/Mechanical

温度范围/Temp.Range: -40 $^{\circ}$ C⁺+105 $^{\circ}$ C
瞬间温度/MAX Soldering: +250 $^{\circ}$ C, for 5 Sec
剥线长度/Strip length: 8-9mm
尺寸/Dimensions

间距/Pitch: 3.5mm
极数/Poles: 1P-XXP
材质及电镀/Material
塑件/Housing: PA66, UL94V-0
焊针/Pin header: Phosphor bronze, 1in plated
按钮/Pushbutton: PA66, UL94V-0

TOLERANCES EXCEPT AS NOTED

	linear dimension	fillet	chamfer	short angle sid	≡	—	□	//	⊥								
variable range	over 6 to 30	over 30 to 120	over 120 to 480	all to 6	over 6 to 10	over 10 to 50	over 50 to 120	all to 5	over 5 to 30	over 30 to 120							
tolerance	±0.1	±0.2	±0.3	±0.5	±0.9	±0.2	±0.5	±1	1 $^{\circ}$	30'	20'	10'	0.5	0.025	0.06	0.12	0.4

订购方式:
HOW TO ORDER

- - P - - - -

型号/Model: 极数/POLE:

未定义/No definition
 单面/Single pitch
 2X间距/Double pitch

客户需求 Customer Request:

灰色/Gray	10
蓝色/Blue	20
黑色/Black	30
绿色/Green	40
橙色/Orange	50
红色/Red	60
透明/Transparent	70
黄色/Yellow	80
白色/White	90

单位/UNITS	尺寸/SIZE	A4	比例/SCALE
----------	---------	----	----------



慈溪市万捷电子有限公司
CIXI WANJIE ELECTRONIC CO., LTD
名称/NAME: WJ250-3.5-XXP-1Y-00A